

We reserve all rights in this document and in the information contained therein. Reproduction, use or disclosure to third parties without express authority is strictly forbidden. © ABB 19

Pos. Lage	R connects förbinder	H connects förbinder
1		2-20
2		3-20
3		4-20
4		5-20
5		6-20
6		7-20
7A		8-20
7	17-18	9-20
8		10-20
9		11-20
10		12-20
11		13-20
12		14-20
13A		15-20
13B		16-20
13		17-20
13C		1-20
13D		2-20
13E		3-20
14		4-20
15		5-20
16		6-20
17		7-20
18		8-20
19A	17-19	9-20
20		10-20
21		11-20
22		12-20
23		13-20
24		14-20
25		15-20

A position with letter is a through position and gives the same voltage as the normal position.

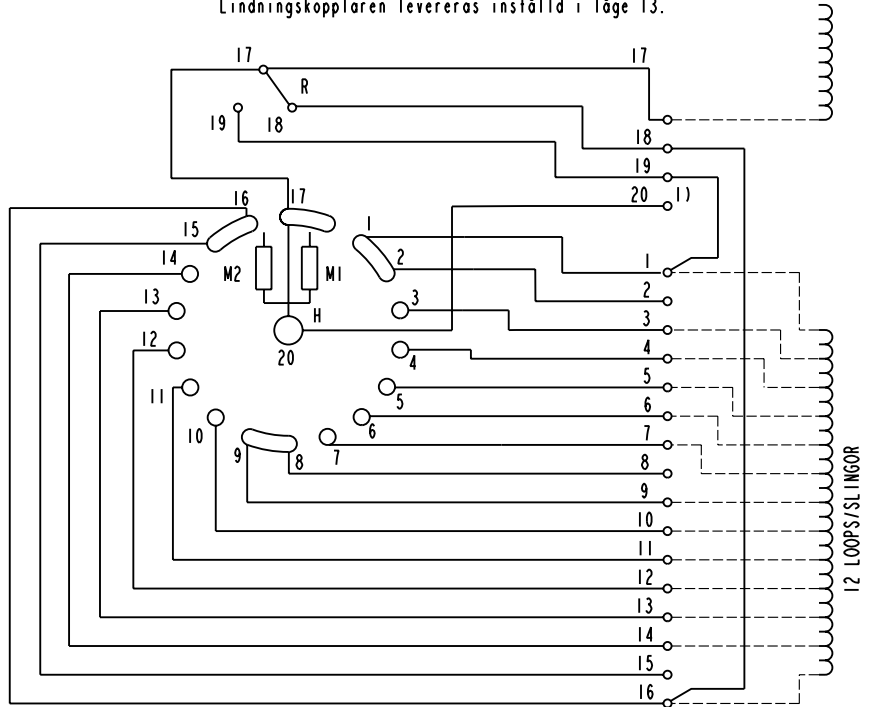
Läge med bokstav är ett genomloppsläge och ger samma spänning som normalläget.

1) Connections between the terminals 20 of the three phases are included in the star-point type.

Förbindningar mellan uttag 20 i de tre faserna ingår i nollpunktsutförandet.

On-load tap-changer type UZER., UZFR., 25 tap positions, plus/minus switching. Min effective No. of turns in pos. 1. The tap-changer is delivered set in pos. 13.

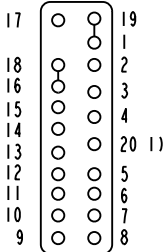
Lindningskopplare typ UZER., UZFR., 25 lägen, plus/minus-koppling. Min antal effektiva varv i läge 1. Lindningskopplaren levereras inställd i läge 13.



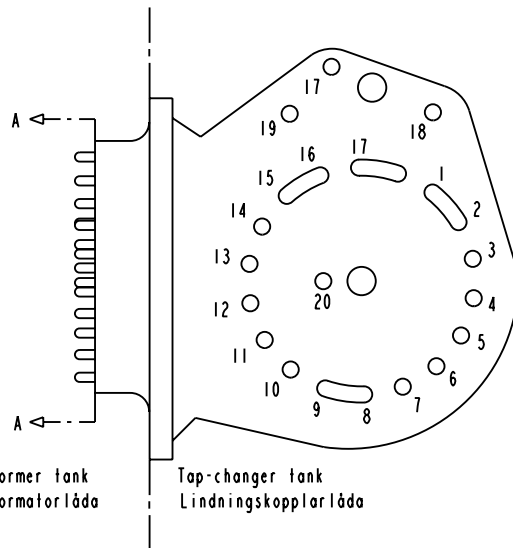
The tap-changer is shown in pos. 13
Lindningskopplaren visad i läge 13

- R Change-over selector Plus/minus-omkopplare
- H Main contact Huvudkontakt
- M1, M2 Transition contacts Motståndskontakter

Terminal board Plint



Section A-A Sektion A-A



Transformer tank Transformatorlåda

Tap-changer tank Lindningskopplarlåda

Sheet	Cont				
Year	Week				
Dept					
Rev	In	Revision	Appd	Year	Week
Accepted by	qual control	R. Yngvesson	Accepted for prod by		
Description (English)			DATA ORIGINAL		
CONNECTION DIAGRAM					
Design checked by			File name		
B-O. Stenestam			0397-9		
Design checked by			Lang		
M. Hedlund			Sheet		
Issued by Dept			Rev		
COM/TKO 97 33			In		
Year			Cont		
97 33			-		
Asea Brown Boveri			5492 0397-9		