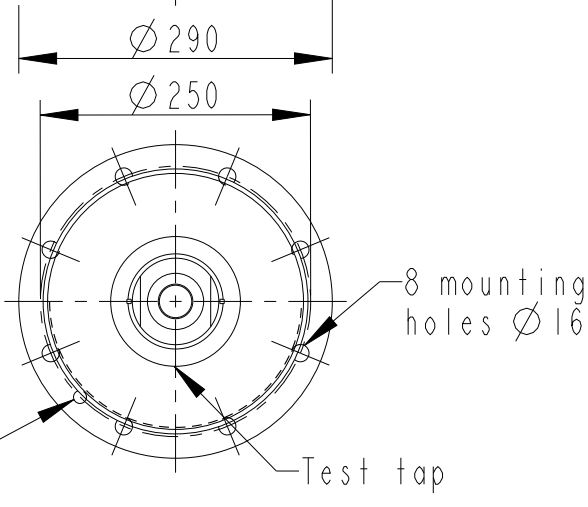
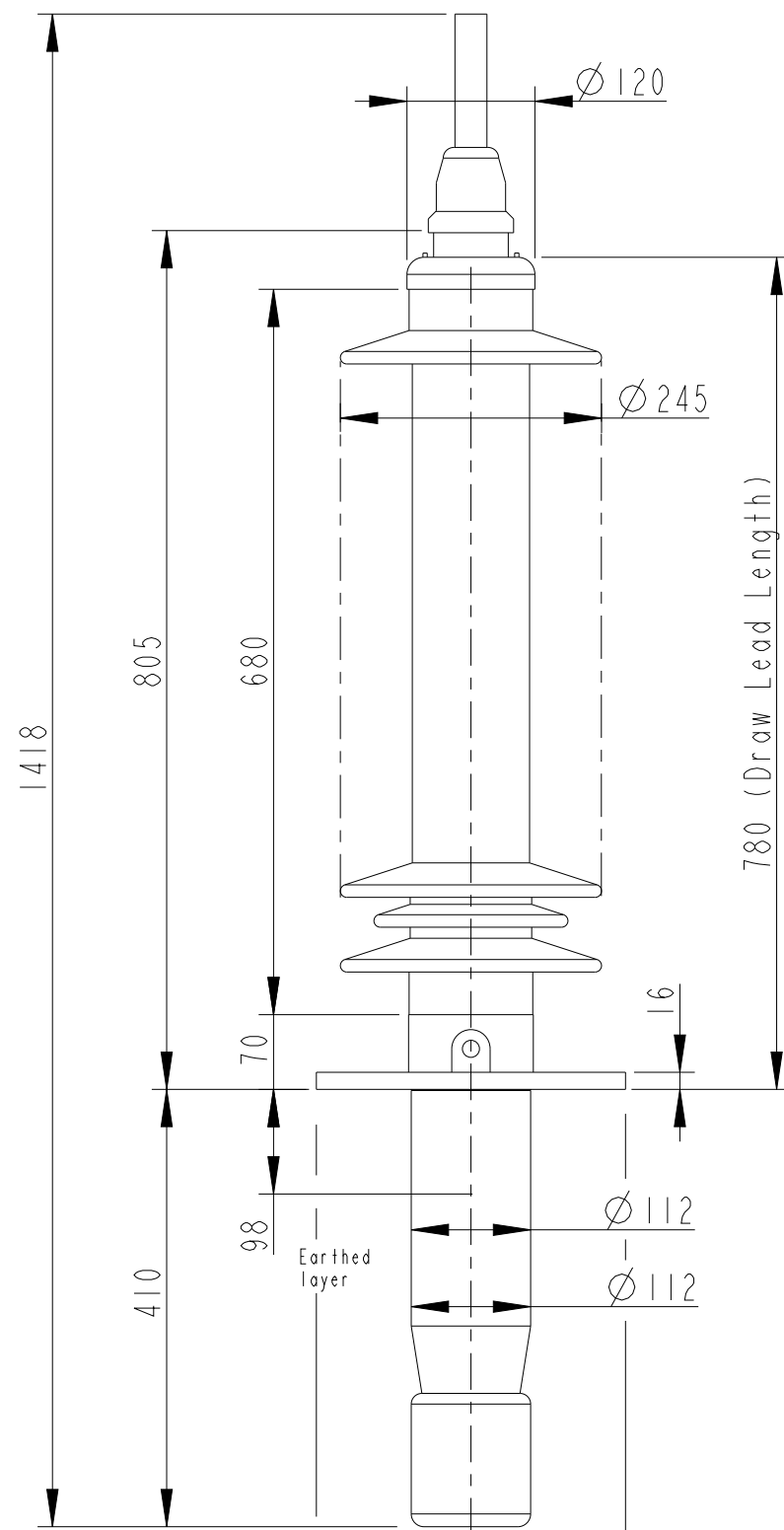
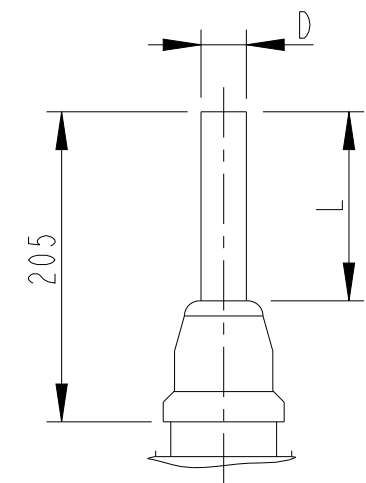


This document is issued by means of a computerized system. The digitally stored original is electronically approved. The approved document has a date entered in the "Approved"-field. A manual signature is not required.

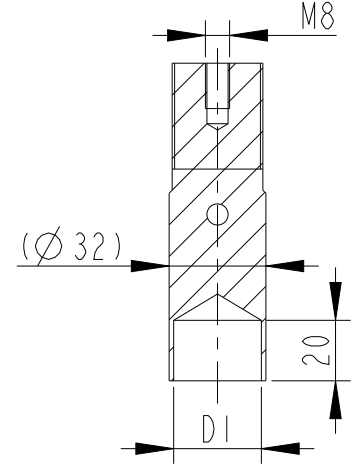
We reserve all rights in this document and in the information contained therein. Reproduction, use or disclosure to third parties without express authority is strictly forbidden.



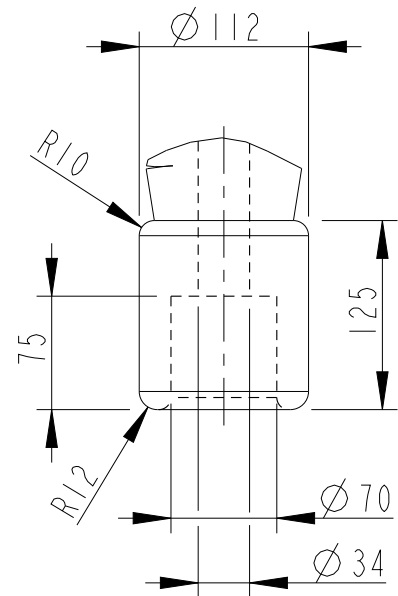
**OUTER TERMINAL**



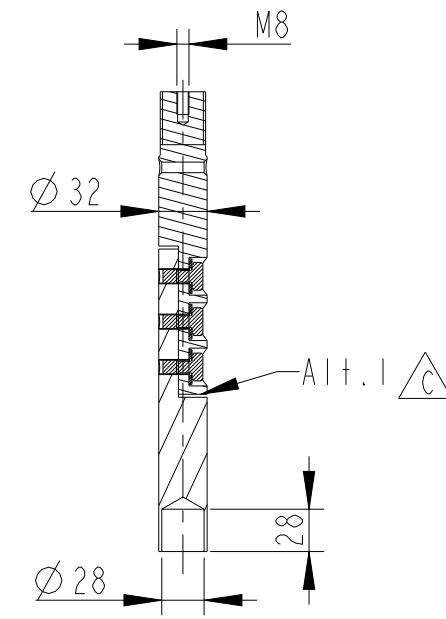
**INNER TERMINAL FOR STRANDED CABLE**



**END SHIELD**



**SOLID ROD CONNECTOR**



The solid rod can be divided either:  
Alt.1: 20mm below the bushing flange

Revision	Revision text
C	Removed Alt.2, Changed the Phase to ground voltage from 72.5 to 58kV

**Bushing Data:**

Rated Voltage	100	kV
Phase to Ground Voltage	58	kV
Dry Lightning Impulse 1,2/50µs	380	kV
Wet power frequency AC	150	kV
Routine test 1min dry 50Hz	162	kV
Rated Current	1250	A
Creepage Distance	2500±70	mm
Creepage Distance Protected	870	mm
Mass	37	kg

**Ordering Data:**

<b>BUSHING</b>	COLOUR AIR INSULATOR		
LF123041-M	BROWN		
-N	LIGHT GREY		
<b>OUTER TERMINAL</b>	Material	D	L
LF 170 002-B	Cu Alloy	Ø 30	125
LF 170 001-B	Al	Ø 30	125
OTHER TYPES ON REQUEST			
<b>INNER TERMINAL FOR STRANDED CABLE</b>			
<b>For brazing</b>	Conductor area	D1	
LF 170 011-T	up to 285mm <sup>2</sup>	Ø 29	
LF 170 011-V	Undrilled with pilot hole	Ø 5	
<b>SOLID ROD CONNECTOR</b>	Material		
LF 170 052 -V for Alt.1	Cu		
<b>TERMINAL PLATE</b>	Material		
LF 170 014-A	Aluminium		
LF 170 021-A	Nickel-Plated Copper		

Note:  
Mounting inclination 0-45°.  
For inclined and horizontal mounting, see Installation and Maintenance Guide.

ABB		Ludvika, Sweden	
No.	Um	kV Ir	A 50/60 Hz
○	BL	kV SL	kV AC
	M	kg L	mm √
	C1	pF Tan δ	x
	C2	pF Tan δ	x

Created by Balaji.G.R	Reviewed by Joakim Persson	Approved by Natalia Gutman
Approved 2020-01-08	Document Kind Outline Drawing	Based on doc.id Work order id Project id
Company ABB Technology Ltd	Title, Supplementary title GOB 380-1250-0	
Responsible Department SEABB-9AAE300824	WITHOUT OIL LEVEL GAUGE LONG END SHIELD	
<b>ABB</b>	Document id 2751369-134	Status Released
	Revision C	Iteration 1/1
		Sheet 1/1