

Stanilite®

Platinum Spitfire® LED WP remote lamp head and power supply unit - freezer



Range

Platinum range

Product group

Spitfire LED



Features

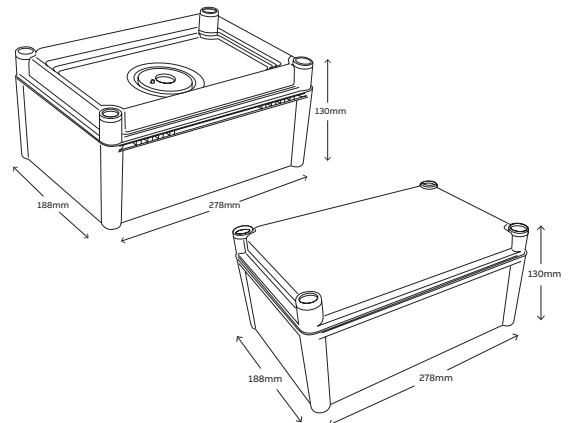
- Superior photometric classification
- LED technology 100,000 hours plus lamp life
- Single or dual LED
- Low power consumption and LED light source for reduced operation and maintenance costs
- Polycarbonate IP67 weatherproof enclosure
- Lamp head -30°C operation
- Advanced charging technology combined with Lithium iron phosphate battery for long life and low maintenance
- Lamp head used in combination with remote power supply; lamp head mounted inside the freezer or coolroom and remote power supply mounted outside
- Surface mount
- Supplied with 1.5m interconnect cable, suitable for 25mm conduit

Catalogue no.	Description
EM products	
SFBWP1LEDPLHREM	Platinum Spitfire single LED weatherproof surface mount remote lamp head
SFBWP2LEDPLHREM	Platinum Spitfire dual LED weatherproof surface mount remote lamp head
SFBWP1LEDPPSU	Platinum Spitfire LED weatherproof surface mount power supply unit for SFBWP1LEDPLREM*
SFBWP2LEDPPSU	Platinum Spitfire LED weatherproof surface mount power supply unit for SFBWP2LEDPLREM*

Note: * Remote power supply installed in a normal operating environment, eg: 25°C

Spare parts

03-01301P	Battery LiFePO4 3.2V 3.2Ah (suits single LED)
03-01303P	Battery LiFePO4 3.2V 4.5Ah (suits dual LED)



Dimensions

Length	Width	Height
278mm	188mm	130mm

Weight

Model	Weight
Lamp head	1.8kg
Power supply unit	2.0kg

Construction

Part	Construction
Lamp head	White polycarbonate
Weatherproof enclosure	Polycarbonate

Light source		
Model	Light source	
Single LED	2W	
Dual LED	3W	

Power consumption		
Model	Power consumption	
EM	1.0W	

Note: Preliminary results

Photometrics			
Model	Class	Classification	
Single LED	C0	D32	
	C90	D32	
Dual LED	C0	D50	
	C90	D50	

Note: Preliminary results

Note:

- Designed to comply with AS2293 and meet relevant Australian EMC standards