

TECHNICAL DATA SHEET - INTERACTIVE PDF

# Fitting, 90° double snap squeeze connector

## For use with metal clad or armored cables

**Steel City**



The 90° double snap squeeze connector is for assembling in electrical box installations with metal clad or armored cables.

### Certifications / Standards:



[3-Part Specification](#)  
[Tools and Calculators](#)

### Features:

- Spring tabs
  - For use in knockouts, providing quick snap in connections saving time on installation
  - No locknut required
  - Provide a durable and secure connection
  - Helps with easy removal from knockout
- 90° angle helps provide easier installation in tight locations
- No tool required for installation
- Insulator helps isolate the wires when entering electrical box

### Applications:

- Terminate two run of AC90/FMC into a knockout
- For residential and commercial

### Conforms to:

- UL 514B
  - File: E23018
- CSA C22.2 No. 18.3

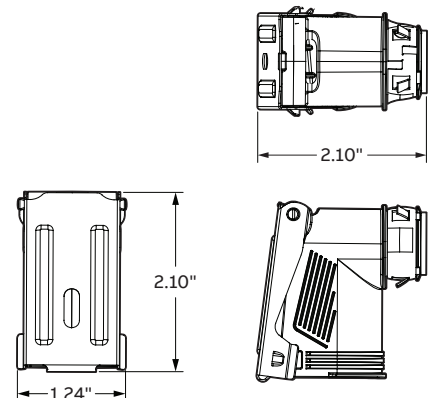
### Materials / Finishes:

- Body: Die cast high-strength zinc alloy
- Clamp: Zinc electroplated steel alloy
- Insulator: Plastic

### Product selection and dimensions - Inches

Part no.	Trade size	Knockout size	Cable and conduit range
XC-170	3/8"	1/2"	AL and steel AC 14-2 to 10-3 AL and steel MC/MCI-A/HCF 14-2 to 10-4 AL and steel 3/8" RWFMC
XC-180	1/2"	1/2"	AL and steel AC 8-2 to 8-3 AL and steel MC/MCI-A/HCF 8-2 to 8-3 AL and steel 1/2" RWFMC

Note: Product must be installed in accordance with applicable national and local electrical codes.



[electrification.us.abb.com](http://electrification.us.abb.com) (US/LATAM)  
[tnb.ca.abb.com](http://tnb.ca.abb.com) (Canada)  
[abb.com](http://abb.com)

We reserve the right to make technical changes or modify the contents of this document without prior notice. With regard to purchase orders, the agreed particulars shall prevail. ABB does not accept any responsibility whatsoever for potential errors or possible lack of information in this document.

We reserve all rights in this document and in the subject matter and illustrations contained therein. Any reproduction – in whole or in part – is forbidden without prior written consent of ABB. © 2025 ABB Installation Products Inc. and/or its related companies. All Rights Reserved.

Product search

