

DEH-41445 Installation Instructions

**EntelliGuard® G Circuit Breaker
Accessories**

**Back Connected Terminations for Fixed
Breaker**

**Back Connected Terminations
Fixed Envelope 3 , 6000A**

Terminal assemblies are supplied with the EntelliGuard breaker. Fixed breakers have Back or Front Connected Terminations available. This instruction is for Back Connected Terminations

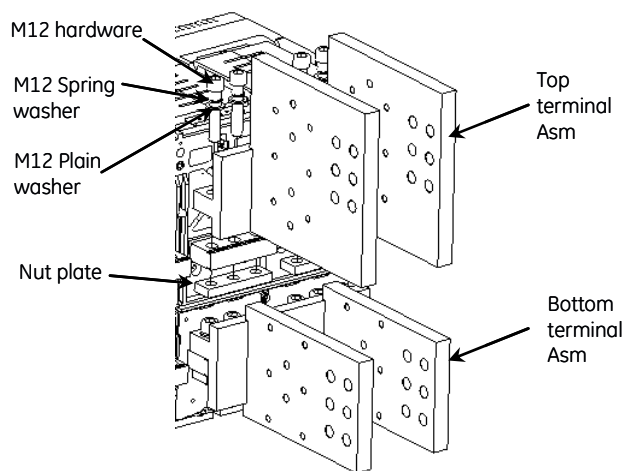


Fig A. Back Connected Terminations, Envelope 3 6000A fixed

**Table 1. Back Connected Terminations
Catalog numbers**

Envelope Size	Catalog #	Description	TYPE
Envelope 3	GBB360TBB3	Top side	3 pole
	GBB360BBB3	Bottom side	3 pole
	GBB360TBB4	Top side	4 pole
	GBB360BBB4	Bottom side	4 pole

WARNING: Before installing any accessories, turn the breaker OFF, disconnect it from all voltage sources, and discharge the closing springs.

AVERTISSEMENT: Avant d'installer tout accessoire, mettre le disjoncteur en position OFF, le déconnecter de toute tension d'alimentation, et décharger les ressorts d'armement

Back Connected Terminations Assembly Procedure:

1. Turn the breaker off and discharge the closing springs by depressing the OFF and ON buttons in the sequence OFF-ON-OFF. Verify that the breaker OFF-ON indicator shows OFF on a green background and that the charge indicator shows DISCHARGE on a white background.
2. Assemble the outer pole bottom & top Back Connected Termination assemblies first to the breaker rear terminal support & orient as shown in Fig A.
3. Terminal assemblies to be tightened with M12 hardware's as shown in Fig A, to 80 Nm (59 ft-lbs) torque.
4. Assemble the heat sinks LH & RH as shown in Fig B on the outer poles first, and tightened them to 14 Nm (10.3 ft-lbs) torque.
5. Repeat the above mounting procedure for remaining adjacent poles.
6. Assemble remaining terminal assemblies similarly on all the poles so as to populate as 3pole / 4 pole breaker fig C & Fig D.
7. The bus bars to be supported within 200mm distance and tightened to 80Nm (59 ft-lbs) torque.

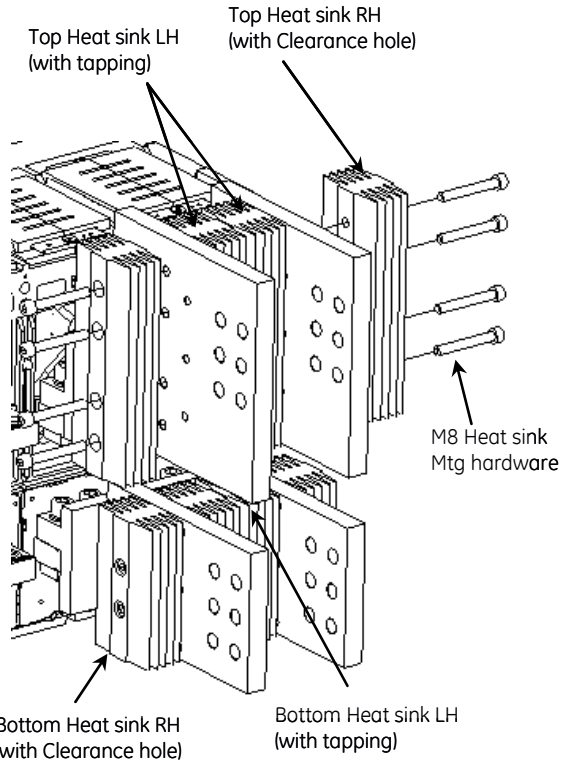


Fig B. Heat sink mounting to terminal assembly

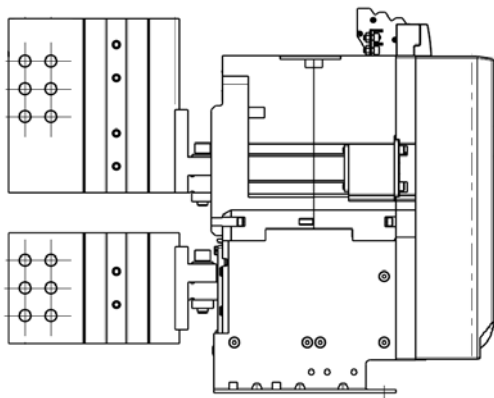


Fig E. Envelope 3, fixed type, Side view

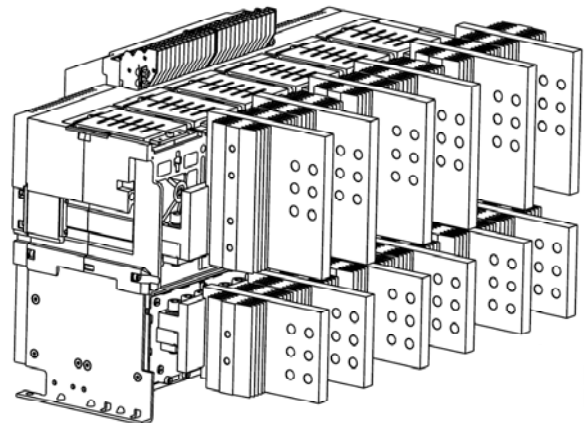


Fig C. Envelope 3, fixed type, 3 Pole Assembly

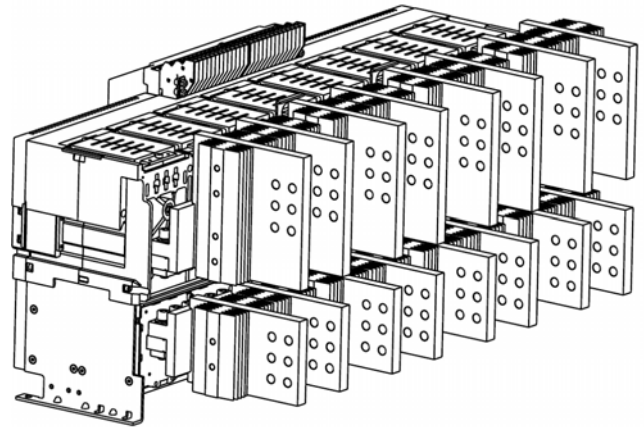


Fig D. Envelope 3, fixed type, 4 Pole Assembly

These instructions do not cover all details or variations in equipment nor do they provide for every possible contingency that may be met in connection with installation, operation, or maintenance. Should further information be desired or should particular problems arise that are not covered sufficiently for the purchaser's purposes, the matter should be referred to the ABB Inc.

—
ABB Inc.
305 Gregson Drive
Cary, NC 27511.
electrification.us.abb.com

—
We reserve the right to make technical changes or modify the contents of this document without prior notice. With regard to purchase orders, the agreed particulars shall prevail. ABB Inc. does not accept any responsibility whatsoever for potential errors or possible lack of information in this document.

We reserve all rights in this document and in the subject matter and illustrations contained therein. Any reproduction or utilization of its contents – in whole or in parts – is forbidden without prior written consent of ABB Inc.
Copyright© 2019 ABB
All rights reserved