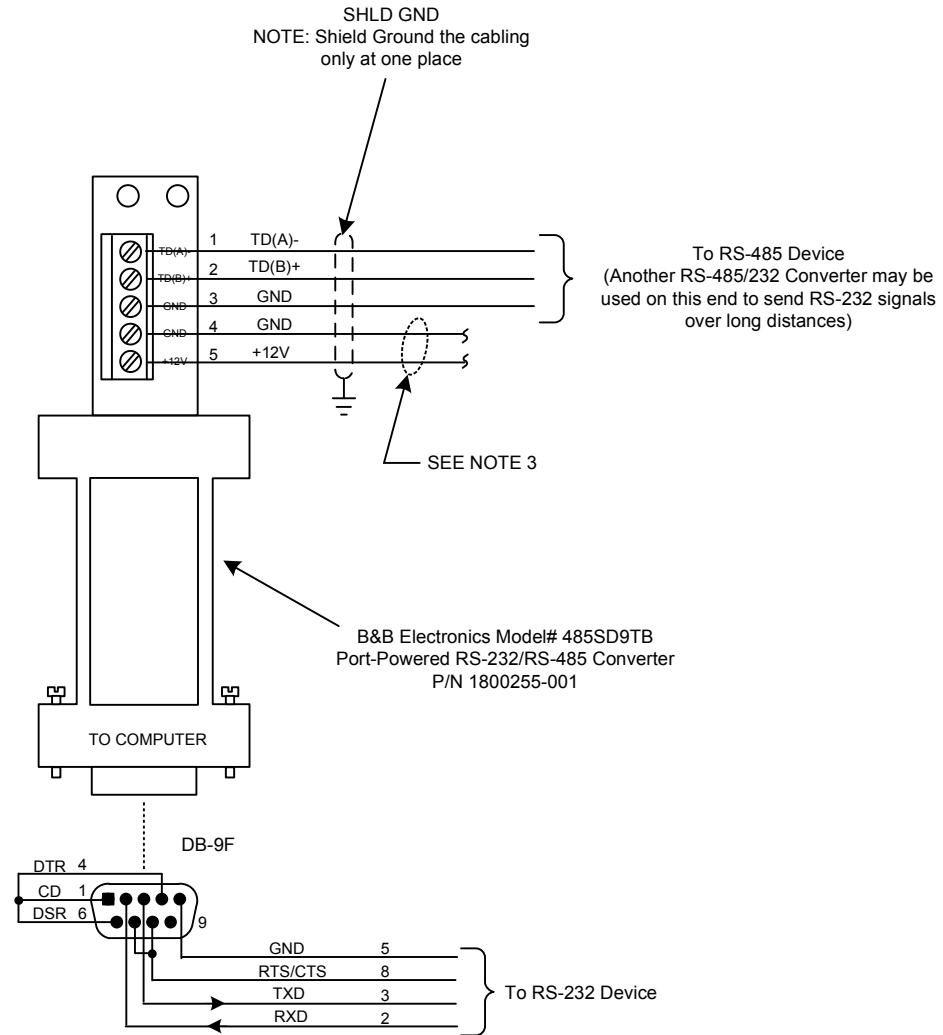


NOTES:

1. Depending on power from port, the RS-485/232 Converter will transmit up to 4000 ft. @ 115.2k baud.
2. RS-485 conversion is 2-wire, half-duplex only. The Converter has an internal connection to prevent data from the RS-232 port from being echoed back to the port.
3. No external power is required if two RS-232 output Handshake lines are available. External +12VDC can be applied to the pins on the RS-485 side between terminals +12VDC and GND, when handshake lines are not used.
Use 35mA maximum current draw under normal operation, when externally powered.



REF: N/A

	ACTION	DOC TYPE	TITLE	DWG NO.	REV	SHEET
	L19074	UD	B&B PORT-POWERED RS-485/232 CONVERTER (MODEL #485SD9TB) GENERIC WIRING DIAGRAM	2102905	AA	1 OF 1