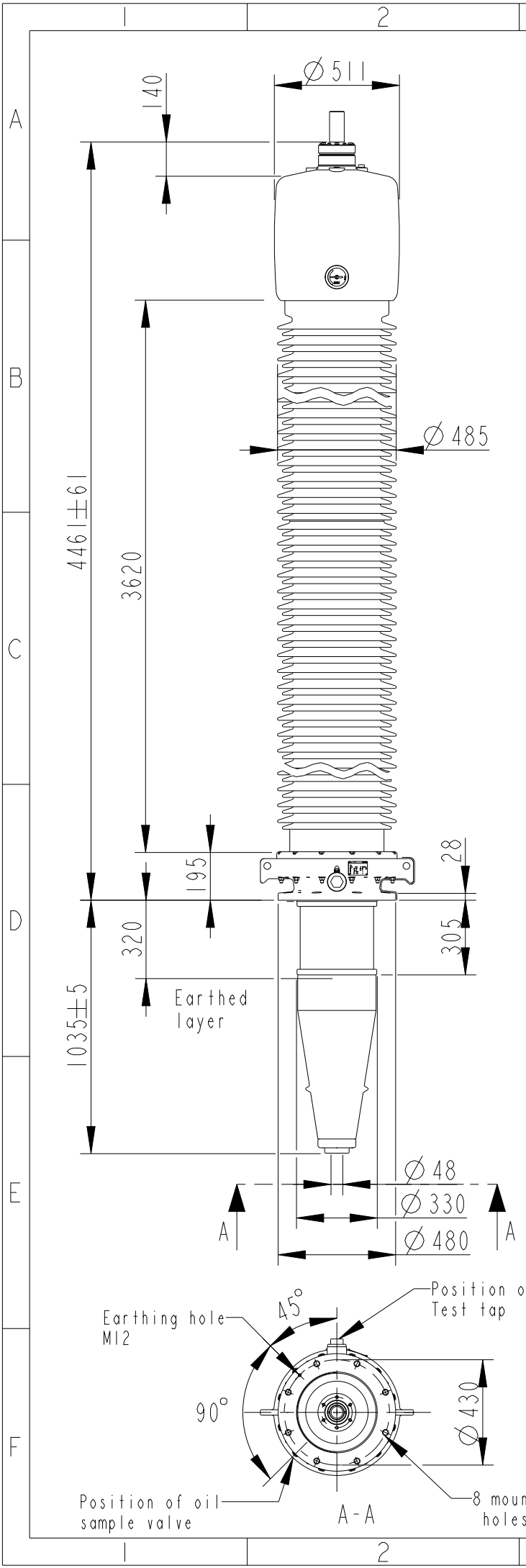


This document is issued by means of a computerized system. The digitally stored original is electronically approved. The approved document has a date entered in the "Approved"-field. A manual signature is not required.

We reserve all rights in this document and in the information contained therein. Reproduction, use or disclosure to third parties without express authority is strictly forbidden. © 2022 Hitachi Energy.



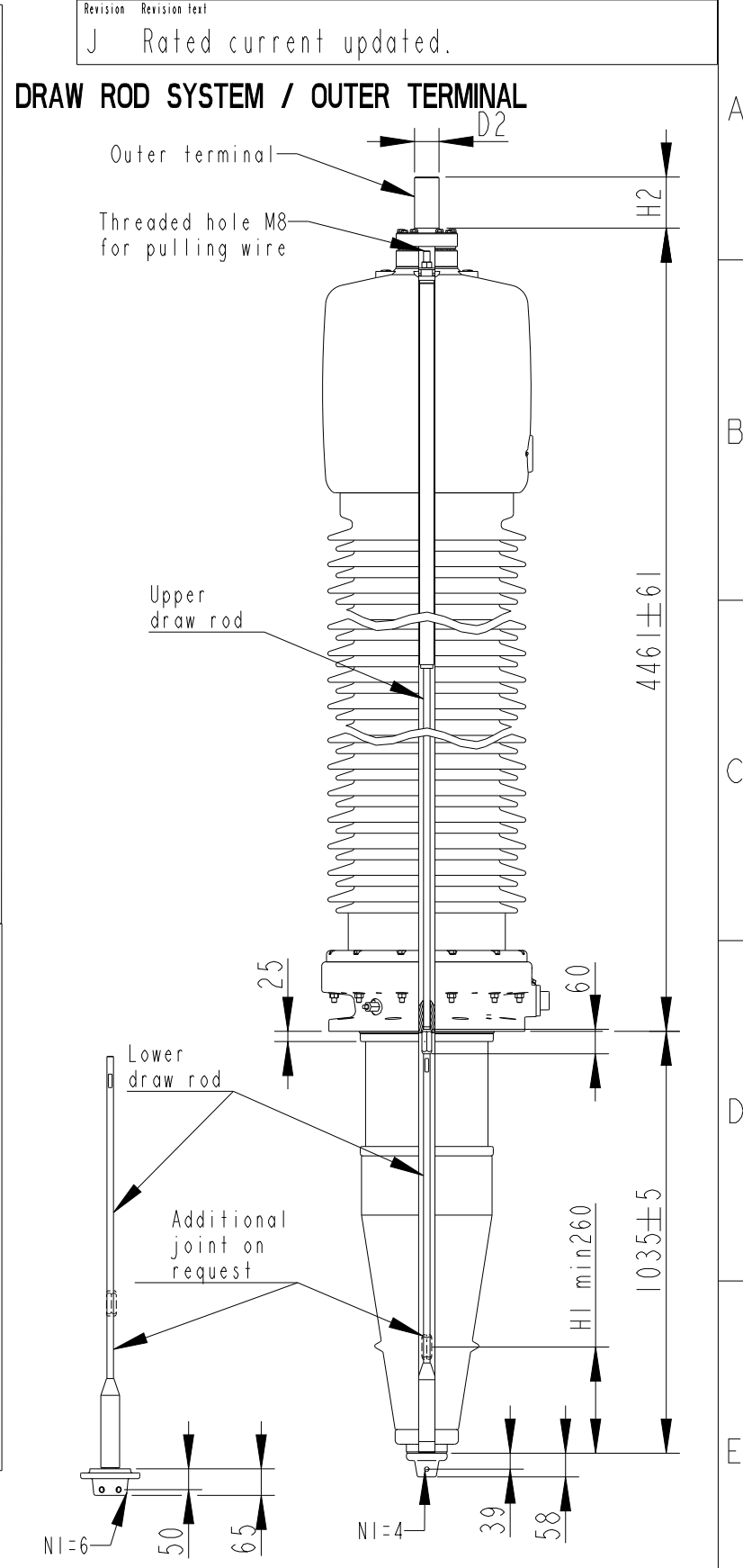
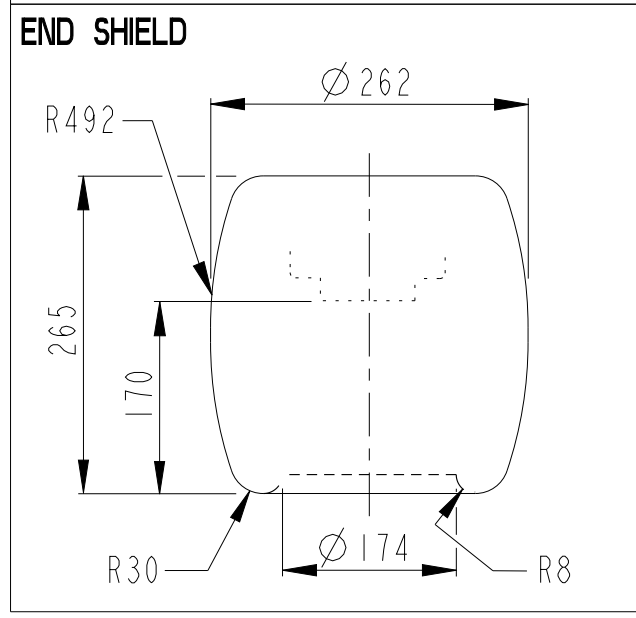
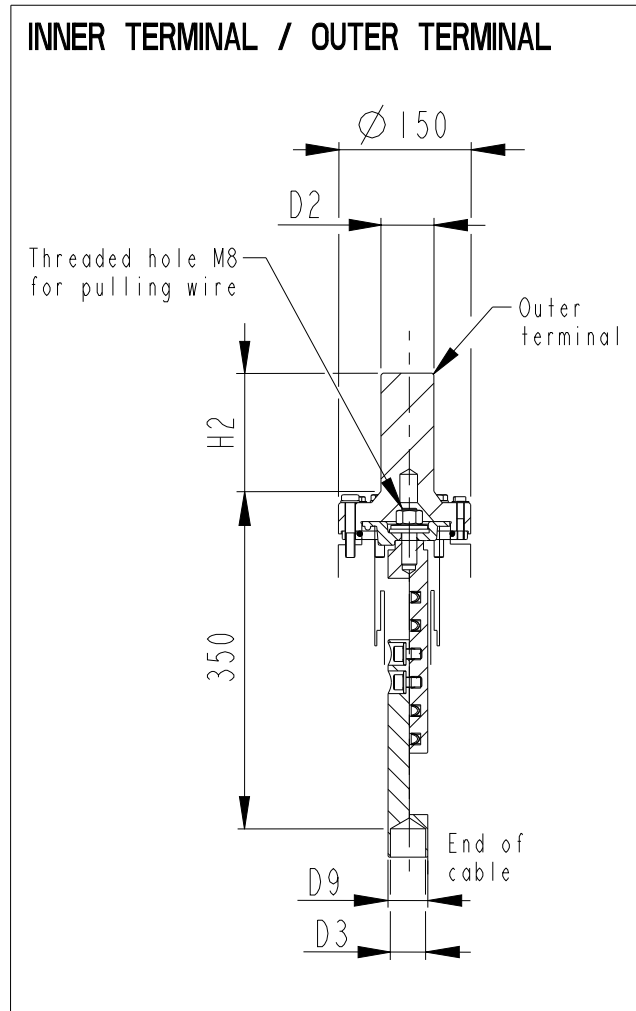
Bushing Data:

| | |
|--------------------------------|----------|
| Rated Voltage | 420 kV |
| Phase to-earth Voltage | 242 kV |
| Dry Lightning Impulse 1,2/50µs | 1300 kV |
| Wet Switching Impulse | 1050 kV |
| Wet Power frequency AC | N/A |
| Routine test Imin dry 50Hz | 630 kV |
| Rated Current | 3150 A |
| Creepage Distance | 13745 mm |
| Mass | 1075 kg |

Ordering Data:

| | | | | | |
|------------------------|----------------------------------|---------------|--------------------|-------------|------|
| BUSHING | COLOUR AIR INSULATOR | | | | |
| IZSC902420-AAA | BROWN | | | | |
| OUTER TERMINAL | | Max. Rated H2 | D2 | | |
| | | Current (A) | (mm) | | |
| LF170 073-A | Al | 2500 | 125 | 60 | |
| LF170 073-B | Cu | 4000 | 125 | 60 | |
| LF170 073-G | Cu/Ag | 4000 | 125 | 60 | |
| LF170 073-L | Cu/Sn | 4000 | 125 | 60 | |
| LF170 073-BA | Cu/Ag | 3000 | 125 | 2"-12UN | |
| LF170 073-AA | Cu | 5000 | 115 | 96 | |
| END-SHIELD | | | | | |
| LF170 046-U | EPOXY INSULATED | | | | |
| LF170 046-UP | INSULATED WITH 3 mm PRESSBOARD | | | | |
| DRAW ROD SYSTEM | | | | | |
| LF170 059 | LOWER DRAW ROD WITH NI=4 OR NI=6 | | | | |
| LF170 057 | UPPER DRAW ROD | | | | |
| INNER TERMINAL | | | | | |
| | D3 | D9 | Cond.area | Current (A) | |
| | (mm) | (mm) | (mm ²) | IEC | IEEE |
| LF170 056-E | 0 * | 45 | - | - | - |
| LF170 056-D | 40 | 45 | 600 | 1600 | 1360 |

*) WITH PILOT HOLE D=5



NI=Number of holes M12, equipped with thread insert with screw lock, depth 20, for cable lugs.

| | | | |
|-------|----------|-----------------|----------|
| ABB | | Ludvika, Sweden | |
| No. | | | |
| Um/Uy | kV Ir | A | 50/60 Hz |
| BIL | kV SIL | kV AC | kV |
| M | kg L | mm | ° |
| C1 | pF Tan δ | x | |
| C2 | pF Tan δ | x | |

| | | | |
|--------------------------|-------------|-----------------------------|----------|
| DOCUMENT KIND | APPROVED | TITLE / SUPPLEMENTARY TITLE | |
| Dimension Drawing | 2022-12-22 | GOE 1300-1050-3150-0.3 | |
| RESPONSIBLE DEPARTMENT | | GOE 1300-1050-3150-0.3 | |
| SEABB-9AAE300824 | | | |
| RESPONSIBLE COMPANY | DOCUMENT ID | STATUS | REVISION |
| Hitachi Energy Sweden AB | 2751369-317 | Released | J |
| | | | SHEET |
| | | | 1/1 |