

New product

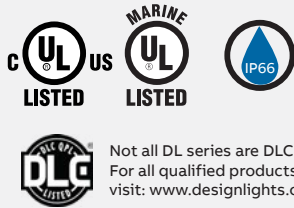
Hazlux® LI1 LED Series

Extremely durable and water-tight, the LI1 LED Series has a slim and compact design. This explosion-proof fixture can withstand the most demanding hazardous location environments like paper mills, chemical facilities, and wastewater treatment plants.

CERTIFICATION

CLASS I	
Division 1	Group C, D
Division 2	Group A, B, C, D
Simultaneous presence	
Classification may vary depending on the product configuration. Please follow catalogue information and exceptions.	

APPROVALS

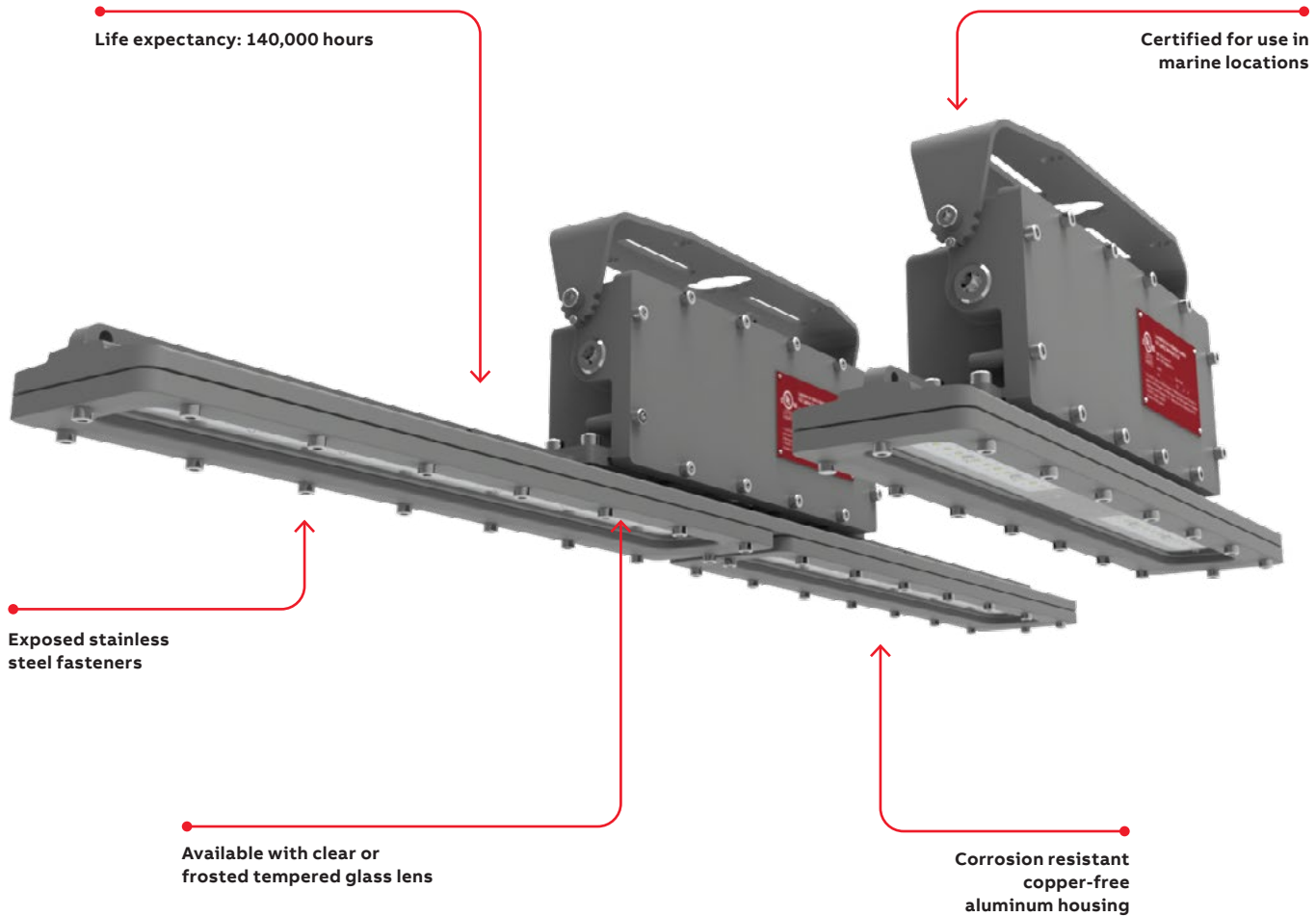


Not all DL series are DLC qualified. For all qualified products, please visit: www.designlights.org/qpl

APPLICATIONS

Mining
Paper mills
Chemical/industrial facilities
Wastewater treatment plants
Loading docks
Petrochemical facilities
Paint spray booth

LINEAR LIGHTING



Hazlux® LI1 LED Series

Key features and information

FEATURES

Operating temperature: -40°F to 140°F (-40°C +60°C)
optimal 77°F (25°C)

Exposed hardware made of stainless steel

Slim and compact design

HOUSING

Housing made of copper-free aluminum

Anti-corrosion housing (tested for 1000hrs)

Tempered glass lens is impact and thermal shock resistant

LED

Efficacy: up to 120 Lm/W

Lumen output: from 4,800 lumens to 9,600 lumens

OSRAM LED's

UL 8750 LED safety

CRI Ra>70

Correlated Color Temperature (CCT): 5000K (standard),
3000K and 4000K (optional)

ELECTRICAL

Operating voltage: universal 120-277 VAC, 347-480 VAC
(50/60Hz)

Power factor 0.95

Driver efficiency 90%

THD <20%

Surge protection standard up to 10KV
(Contact your sales representative if high protection is required.)

MOUNTING

Pendant mount

Optional yoke/pipe bracket for wall/ceiling or pole mount

Chain mount ("Chain" supplied by others)

APPROVALS

UL 844

UL 1598A marine outside type

UL 1598 wet locations

UL 8750 LED safety

CUL approved to CSA 22.2 No. 137,
CSA 22.2 No. 250.0-08, CSA 22.2 No. 250.13

IP66

DLC

Not all product variations listed on this page are DLC qualified.
Visit www.designlights.org/search to confirm qualification.

5G (shock and vibration resistant)

1000hrs salt spray

WARRANTY

5 year limited warranty

T-code chart

Fixture	40 watt	80 watt
C1D1	T6	T6
C1D2	T3C	T3C

Electrical specifications

Specification	LI1-4	LI1-8	
Rated power	40W	80W	
Input voltage	120-277, 347-480V		
Input frequency	50/60Hz		
Input current	(120/277V) (347/480V)	0.4/0.14A 0.14/0.08A	0.8/0.29A 0.29/0.17A

Lighting output

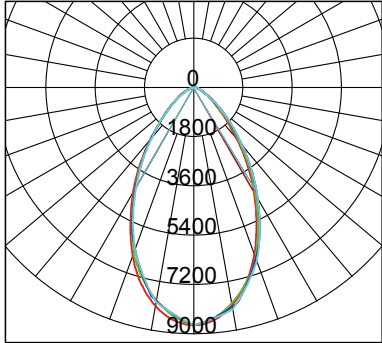
Fixture	40 watt	80 watt
Lumen output	4800	9600
Lumen per watt	120	120



Hazlux® LI1 LED Series

PHOTOMETRY

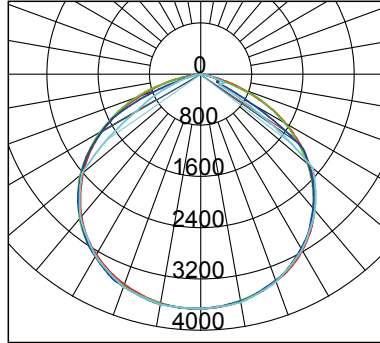
60 degree



- C0/180,60.8
- C30/210,60.8
- C60/240,61.3
- C90/270,61.0

BUG rating: B3-U0-G2

110 degree

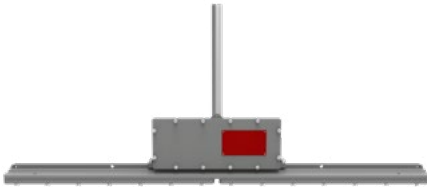


- C0/180,115.0
- C30/210,115.0
- C60/240,114.0
- C90/270,107.0

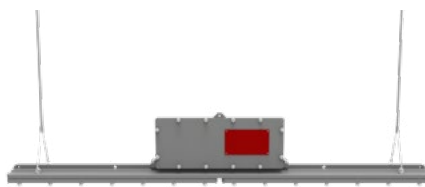
BUG rating: B3-U0-G2

MOUNTING AND OPTIONAL ACCESSORIES (sold separately)

Pendant mount (included standard)

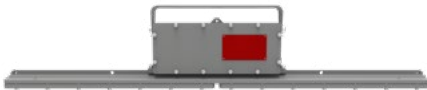


Chain mount (compatible)

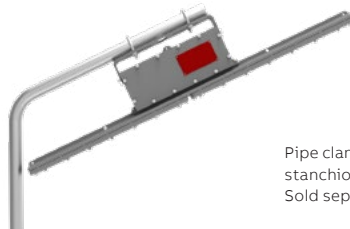


Chain supplied by others.

Ceiling & wall mount (optional accessory)



Stanchion mount (optional accessory)



Pipe clamp and yoke/pipe bracket required for stanchion installation. Sold separately.

Accessories



PC01 - Pipe clamp (1 pair)
Pipe clamp (M8*48mm) for pole Ø 1-7/8" (48mm)



PC02 - Pipe clamp (1 pair)
Pipe clamp (M8*60mm) for pole Ø 2-3/8" (60mm)



UB02 - Yoke/pipe bracket (SUS 304) stainless steel

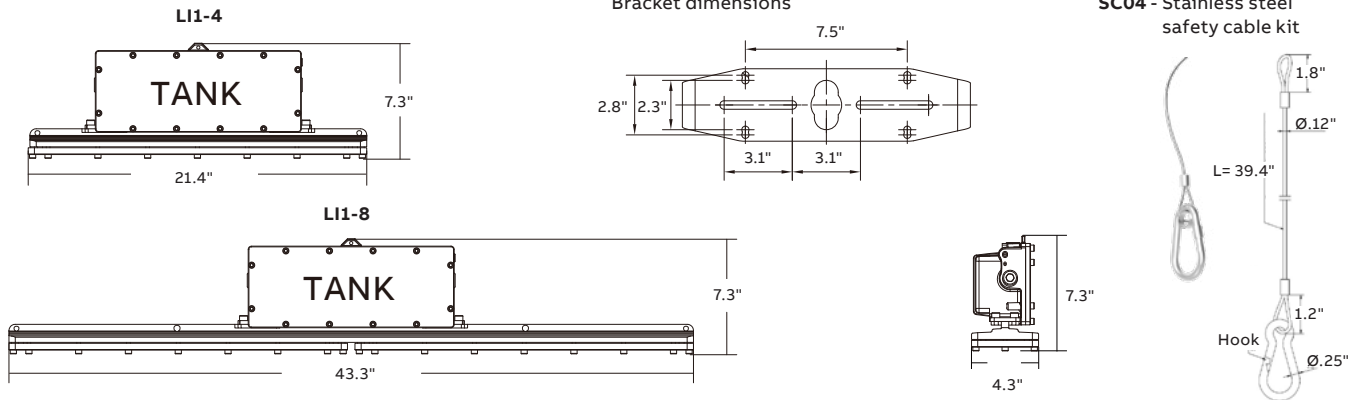


SC04 - Stainless steel safety cable kit

Hazlux® LI1 LED Series

DIMENSIONS

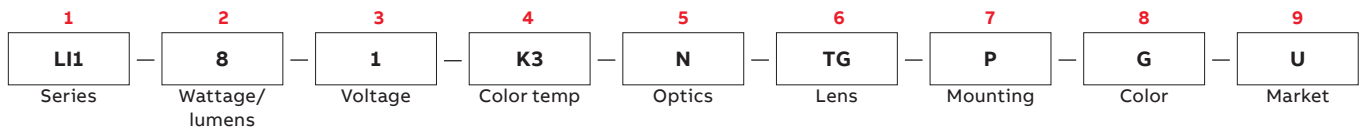
Dimensions are approximate and subject to change.



Model	Weight	Dimensions (L x W x H)
LI1-4	7.3kg/16.1lbs	21.4 x 4.3 x 7.3 in
LI1-8	10.8kg/23.8lbs	43.3 x 4.3 x 7.3 in

NUMBERING SYSTEM

Lighting fixture



Ordering information

Part	Part number	Description
1 Series	LI1	Hazlux® linear light LED
2 Wattage/lumens	4	40W (4,800 lm)
	8	80W (9,600 lm)
3 Voltage	1	120-277V
	4	347-480V
4 Color temp	K3	3000K ¹
	K4	4000K ¹
	K5	5000K (standard)
5 Optics	N	60° ¹
	W	110° (standard)
6 Lens	TG	Clear glass
	FG	Frosted glass ¹
7 Mounting	P	NPT 3/4 pendant mount
	U	NPT 3/4 pendant mount + yoke bracket
8 Color	G	Gray
9 Market	U	U.S. market
	Blank	Canadian market

¹Longer lead time, contact your sales representative for more details

Accessories (sold separately)

PC01	Pipe clamp (1 pair) Pipe clamp (M8*48mm) for pole Ø 1-7/8" (48mm)
PC02	Pipe clamp (1 pair) Pipe clamp (M8*60mm) for pole Ø 2-3/8" (60mm)
SC04	Stainless steel safety cable kit
UB02	Yoke/pipe bracket (SUS 304) stainless steel

Note: For Canadian market, please add "-CA" to the part no. (ex: PC01-CA).