

TECHNICAL DATA SHEET - INTERACTIVE PDF

Seal fittings, PVC Coated

EYS and EYD series

Ocal[®]



01



02

01 EYS Series
02 EYD Series

Features:

- Explosion-proof
- Dust-ignition proof
- UV resistant gray PVC coating
- Designed to isolate sections of conduit runs from passage of vapors, flame, or gases
- Designed to limit explosion damage to the sealed off enclosure and limit pre-compression or pressure piling in conduit system.
- Helps maintain ground continuity

Applications:

- For use in rigid conduit systems located:
 - Indoors or outdoors
 - In wet locations
 - In hazardous locations
 - In areas where corrosion protection is needed
- In hazardous locations, seal fittings are needed for the following instances:
 - Where the conduit enters an enclosure that contains arcing or high temperature equipment
 - Where the conduit enters enclosures that house terminals, splices, or taps, if the conduit is 2" trade size or larger
 - Where the conduit leaves a Division 1 area or passes from a Division 2 hazardous area to a non-hazardous location.

PVC coated seal fittings are used with rigid conduit systems in hazardous and corrosive environments

Certifications / Standards:



3-Part Specification: 26 05 33.14

End User Tools

Compliances and Certifications:

- UL Certified
 - UL1203
 - CSA C22.2 No. 25 & No 30
 - NEC/CEC
 - Class I, Divisions 1 & 2, Groups C, D
 - Class I, Divisions 1 & 2, Groups A, B, C, D (EYS/EYD ½" - 1")
 - Class II, Divisions 1 & 2, Groups E, F, G
 - Class III

- NEMA
 - NEMA Ratings: 3 & 4
 - NEMA Standard RN-1

Seal fittings are only approved to be used with Crouse-Hinds[®] Chico[®] A compound and Chico[®] X fiber

Material / Finishes:

- Body: Ductile iron or aluminum / Gray PVC coating
- Cover: Ductile iron or aluminum / Gray PVC coating
- Plugs: Iron or steel / Zinc plated
- Breather/Drain: Stainless steel / Natural
- Closed nipples: Steel / Natural

EYS series

Vertical fill only

Product selection - inches

Part no. Female hubs	Part no. Male & Female hubs	Figure	Trade size (NPT)	A	B	Turning radius
EYS1-XP-G*	EYS16-XP-G*	1	½	3.90	1.34	1.71
EYS2-XP-G*	EYS26-XP-G*	1	¾	4.17	1.59	2.01
EYS3-XP-G*	EYS36-XP-G*	1	1	4.94	1.84	2.45

Notes: Product must be installed in accordance with applicable national and local electrical codes.

Dimensions shown are nominal and should only be used as a reference

Male and female hubs will come with a close conduit nipple that can be installed on either the top or bottom hub to create a male NPT conduit connection.

*NEC/CEC Class I, Divisions 1 & 2 Groups A & B

EYS series

Vertical / horizontal fill

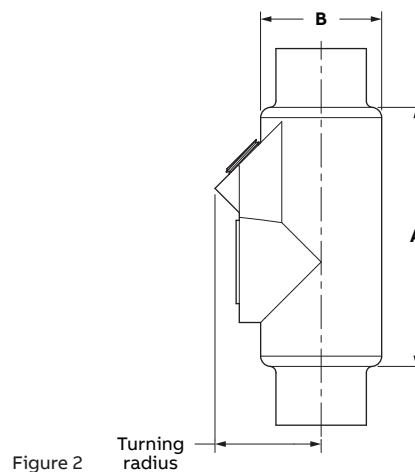
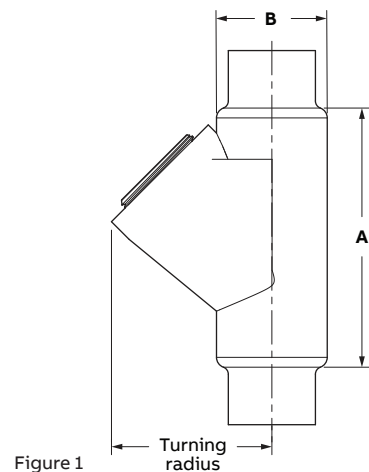
Product selection - inches

Part no. Female hubs	Part no. Male & Female hubs	Figure	Trade size (NPT)	A	B	Turning radius
EYS4-XP-G	EYS46-XP-G	2	1 ¼	5.09	2.34	1.86
EYS5-XP-G	EYS56-XP-G	2	1 ½	5.53	2.53	2.05
EYS6-XP-G	EYS66-XP-G	2	2	6.34	3.09	2.36
EYS7-XP-G	EYS76-XP-G	2	2 ½	7.59	3.59	2.61
EYS8-XP-G	EYS86-XP-G	2	3	8.59	4.34	3.14
EYS9-XP-G	EYS96-XP-G	2	3 ½	9.28	4.84	3.42
EYS10-XP-G	EYS106-XP-G	2	4	9.84	5.34	3.58
EYS11-XP-G	EYS116-XP-G	2	½	3.72	1.34	1.14
EYS21-XP-G	EYS216-XP-G	2	¾	3.75	1.59	1.30
EYS31-XP-G	EYS316-XP-G	2	1	4.34	1.84	1.64
EYS41-XP-G	-	2	1 ¼	5.09	2.34	1.86
EYS51-XP-G	EYS516-XP-G	2	1 ½	5.53	2.53	2.05
EYS61-XP-G	-	2	2	6.34	3.09	2.36
EYS71-XP-G	-	2	2 ½	7.59	3.59	2.61
EYS81-XP-G	-	2	3	8.59	4.34	3.14

Notes: Product must be installed in accordance with applicable national and local electrical codes.

Dimensions shown are nominal and should only be used as a reference

Male and female hubs will come with a close conduit nipple that can be installed on either the top or bottom hub to create a male NPT conduit connection.



EYD series

Vertical fill only

Product selection - inches

Part no. Female hubs	Part no. Male & Female hubs	Figure	Trade size (NPT)	A	B	Turning radius
EYD1-G*	EYD16-G*	1	½	3.90	1.34	1.80
EYD2-G*	EYD26-G*	1	¾	4.17	1.59	2.03
EYD21-G*	-	1	¾	4.17	1.59	2.03
EYD3-G*	EYD36-G*	1	1	4.94	1.84	2.24
EYD4-G	EYD46-G	2	1 ¼	5.09	2.34	1.85
EYD5-G	EYD56-G	2	1 ½	5.53	2.53	2.05
EYD6-G	EYD66-G	2	2	6.34	3.09	2.37
EYD7-G	EYD76-G	2	2 ½	7.59	3.59	2.74
EYD8-G	EYD86-G	2	3	8.59	4.34	3.20
EYD9-G	EYD96-G	2	3 ½	9.28	4.84	3.43
EYD10-G	EYD106-G	2	4	9.84	5.34	3.69

Notes: Product must be installed in accordance with applicable national and local electrical codes.

Dimensions shown are nominal and should only be used as a reference

Male and female hubs will come with a close conduit nipple that can be installed on either the top or bottom hub to create a male NPT conduit connection.

*NEC/CEC Class I, Divisions 1 & 2 Groups A & B

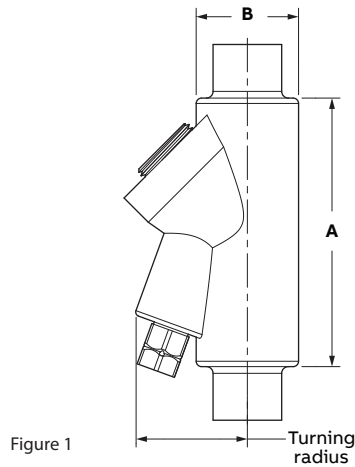


Figure 1

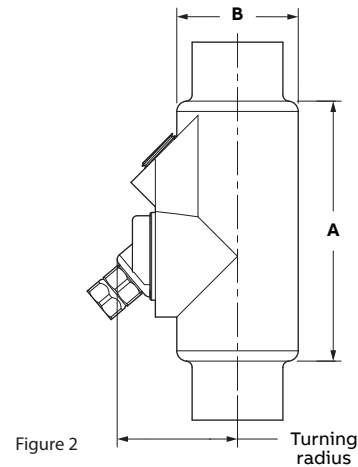


Figure 2