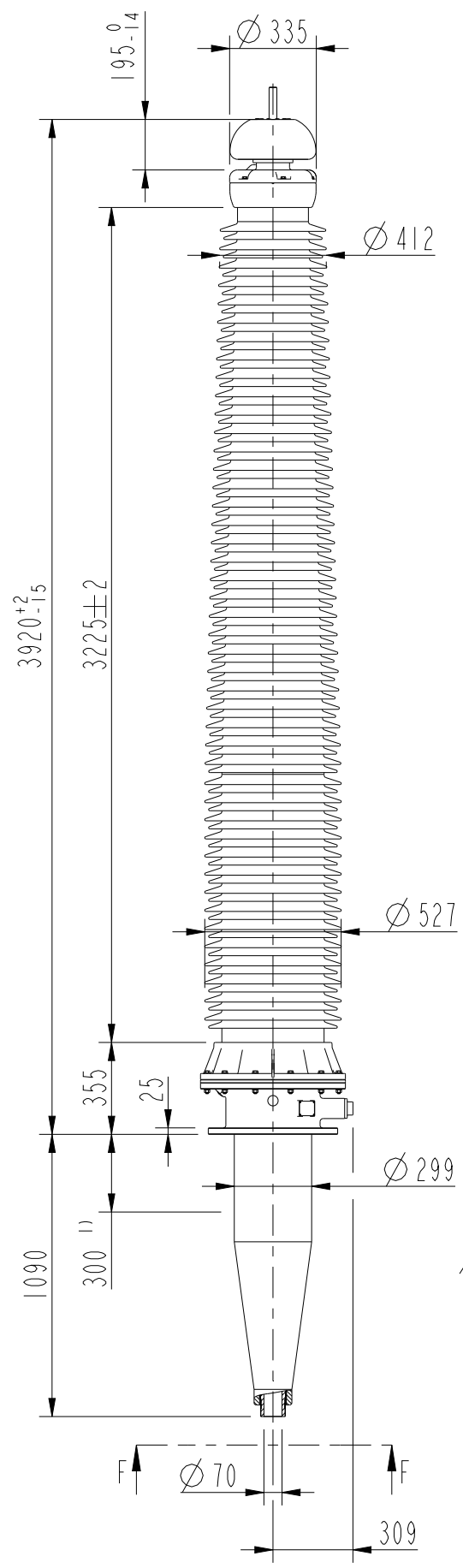


This document is issued by means of a computerized system. The digitally stored original is electronically approved. The approved document has a date entered in the 'Approved'-field. A manual signature is not required.

The information contained in this document has to be kept strictly confidential. Any unauthorized use, reproduction, distribution or disclosure to third parties are strictly forbidden. ABB reserves all rights regarding Intellectual Property Rights. © Copyright 2013 ABB. All rights reserved.



Bushing Data:

Rated Voltage	420	kV
Phase-to-earth Voltage	243	kV
Dry Lightning Impulse 1,2/50µs	1550	kV
Dry Switching Impulse	1050	kV
Wet Power Frequency AC	650	kV
Routine test 1min dry 50Hz	695	kV
Rated Current	1600	A
Creepage Distance, nominal	11852	mm
Creepage Distance, minimum	11550	mm
Temperature class acc. to IEC60137	3	
Mass, Bushing	940	kg

Ordering Data:

BUSHING	AIR INSULATOR COLOUR/TYPE
IZSC901420 -AAA Test tap	Brown/Porcelain
IZSC901420 -ABA Voltage tap 6kV	Brown/Porcelain
IZSC901420 -BAA Test tap	Light grey/Porcelain
IZSC901420 -BBA Voltage tap 6kV	Light grey/Porcelain

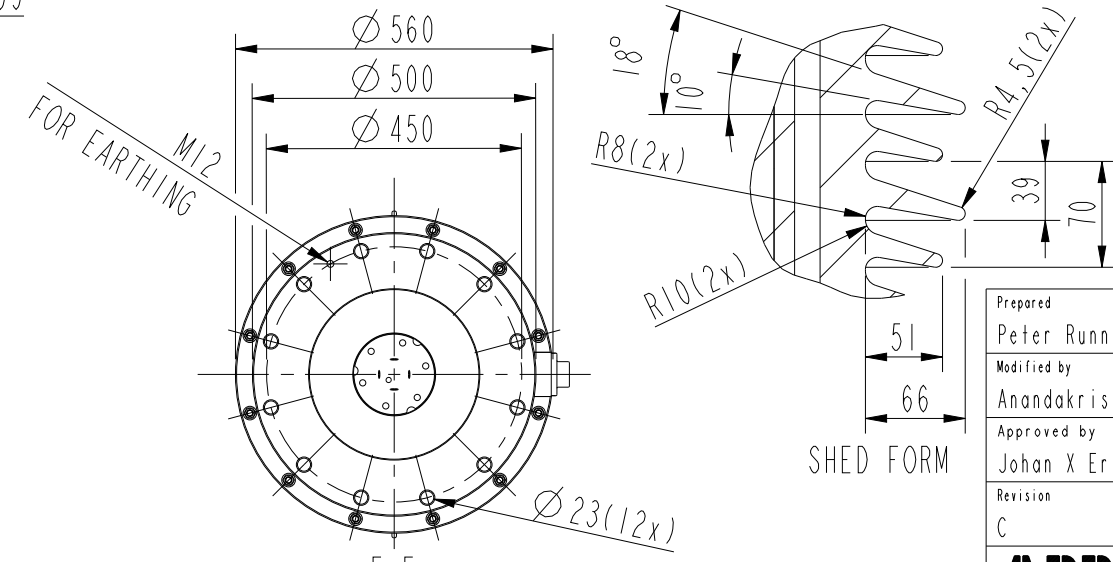
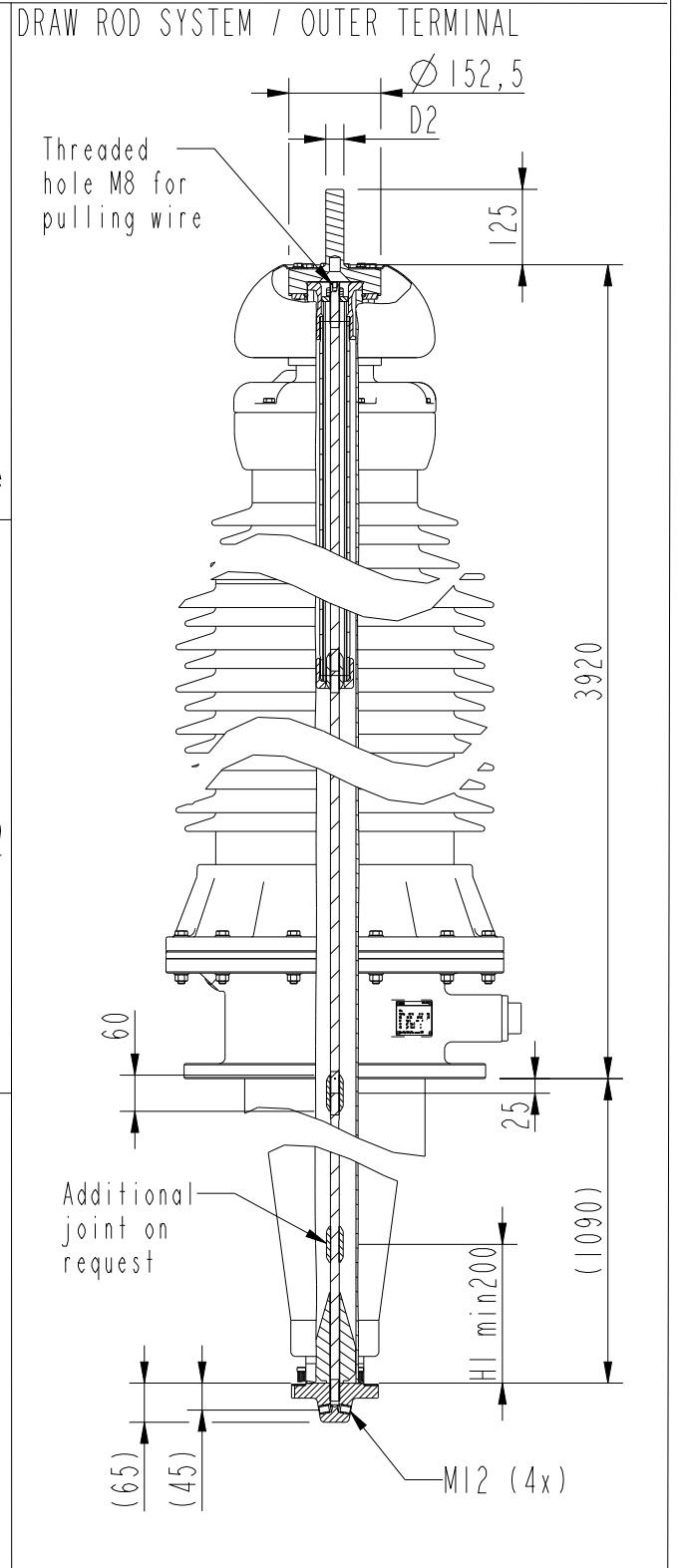
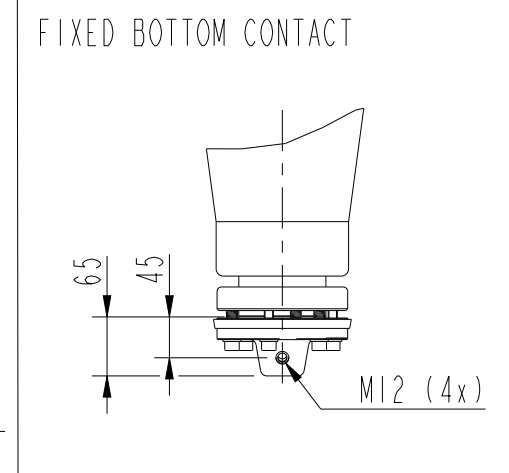
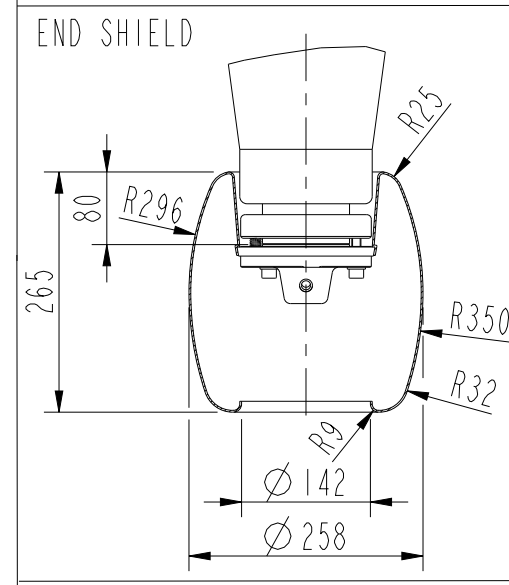
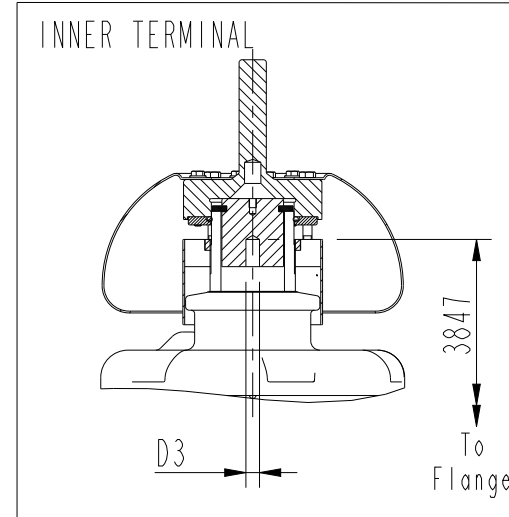
OUTER TERMINAL	MATERIAL	D2 (mm)
IZSC999001-AAA	Al	30
IZSC999001-AAB	Al	60
IZSC999001-AAC	Cu	30
IZSC999001-AAD	Cu	40

DRAW ROD SYSTEM	
IZSC999006	Lower draw rod
IZSC999007	Upper draw rod

INNER TERMINAL	D3 (mm)
IZSC999005-AAA	15
IZSC999005-AAB	30
IZSC999005-AAC	40
IZSC999005-AAD	42

FIXED BOTTOM CONTACT	
IZSC999002-AAE	

END SHIELD	
IZSC999003-AEA	Epoxy insulated



1) Maximum length of CT

Prepared Peter Runnholm 2013-12-06	Responsible department PPCO/BK	Title GSB 420/1600/0.3	Language 82
Modified by Anandkrishnan R 2015-11-04	Take over department		
Approved by Johan X Eriksson 2015-11-04	Used in product	Order	Sheet no.
Revision C	SI dry added, SI wet & transport hood removed, Power freq. 695 was 693		
ABB		Document no. 2751377-5	No. Shits. (1)