

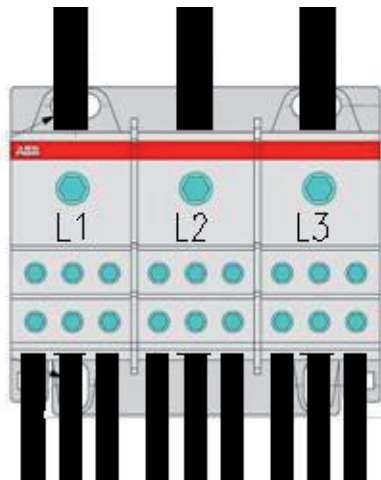
Power Distribution Terminal Blocks

Why use a distribution block?

A Distribution block is an economical and convenient way of distributing an electrical circuit from a single input source, to several devices in the branch circuit. Thus reducing the total number of wires in your electrical panel and saving you time and money.



Using a Distribution Block eliminates the need to wire each device in the control circuit back to the power source by using one large wire on the input side, and several smaller wires on the output side to your devices downstream. This will give your electrical panel a clean and professional look.



Several models are available to meet your needs

- 8 single pole models available in 80 to 310 amp
- 2 three pole models available in 115 & 175 amp

Built to be safe and easy to use

- UL 1059 compliant and are available in a wide variety of amperages and poles.
- IP20 fingersafe design provides excellent protection from accidentally touching live parts without additional cost of buying covers
- Can be easily mounted on standard DIN 35mm rail or direct mounted to the wall of your enclosure
- Faster to wire than conventional busbar systems, for a cleaner and more professional installation
- Wire connection points are 'funneled' to help guide the wire into the clamp

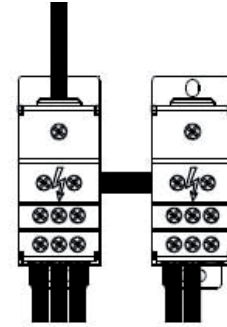
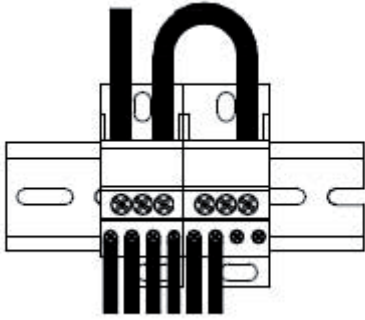


Power and productivity
for a better world™



Expandability

- Our single pole 80A and 125A can be bridged to increase the number of outputs from the same input
- ABB's 160 amp module can be bridged together using an internal copper bus bar. This bus bar allows the bridging of up to 4 single pole units, thus expanding the number of outputs up to 24 from a single input source.



Blocks shown separated for illustration purposes only. Under normal operation mode, bus bar is not visible.

Use the chart below to determine which Distribution Block best fits your needs.

Part Numbers and Ratings

Single Pole Models

| Part Number | Description | Ampere Rating | Line AWG kcmil | Load AWG kcmil |
|-------------|-------------|---------------|--|--|
| 035620825 | BRU 80A | 80 | 8 - 4 | 14 - 10 |
| 035620411 | BRU 125A | 115 | 8 - 2 10 - 6 | 14 - 6 |
| 035620021 | BRU 160A | 160 | 8 - 2/0 | 14 - 6 |
| XUS002885 | BRU 115A | 115 | 8 - 2 | 14 - 4 |
| XUS002886 | BRU 175A | 175 | 8 - 2/0 | 14 - 4 |
| 017965715 | BRU 250A | 230 | 2 - 4/0 | 2 X 14 - 4 2 X 14 - 2 5 X 14 - 6 4 X 14 - 8 |
| 035620714 | BRU 250 ALU | 230 | 2 - 4/0 | 2 X 14 - 4 2 X 14 - 2 5 X 14 - 6 4 X 14 - 8 |
| 017965022 | BRU 400A | 310 | 3/0 - 350 | 2 X 14 - 4 2 X 14 - 2 5 X 14 - 6 4 X 14 - 8 |
| XUS0002889 | BRS 800 A | 840 | 600 - 500 400 - 2/0 1/0 - 2 3 - 4 | 600 - 500 400 - 2/0 1/0 - 2 3 - 4 |

Three Pole Models

| | | | | |
|-----------|----------|-----|---------|---------------------|
| 035620926 | BRT 115A | 115 | 8 - 2 | 6 X 14 - 4 per pole |
| 035621021 | BRT 175A | 175 | 6 - 2/0 | 6 X 14 - 4 per pole |

ABB Inc.

Low Voltage Products
16250 W. Glendale Drive
New Berlin, WI 53151 USA
Phone: (888) 385-1221
Web: www.abb.us/lowvoltage

Power and productivity
for a better world™ 