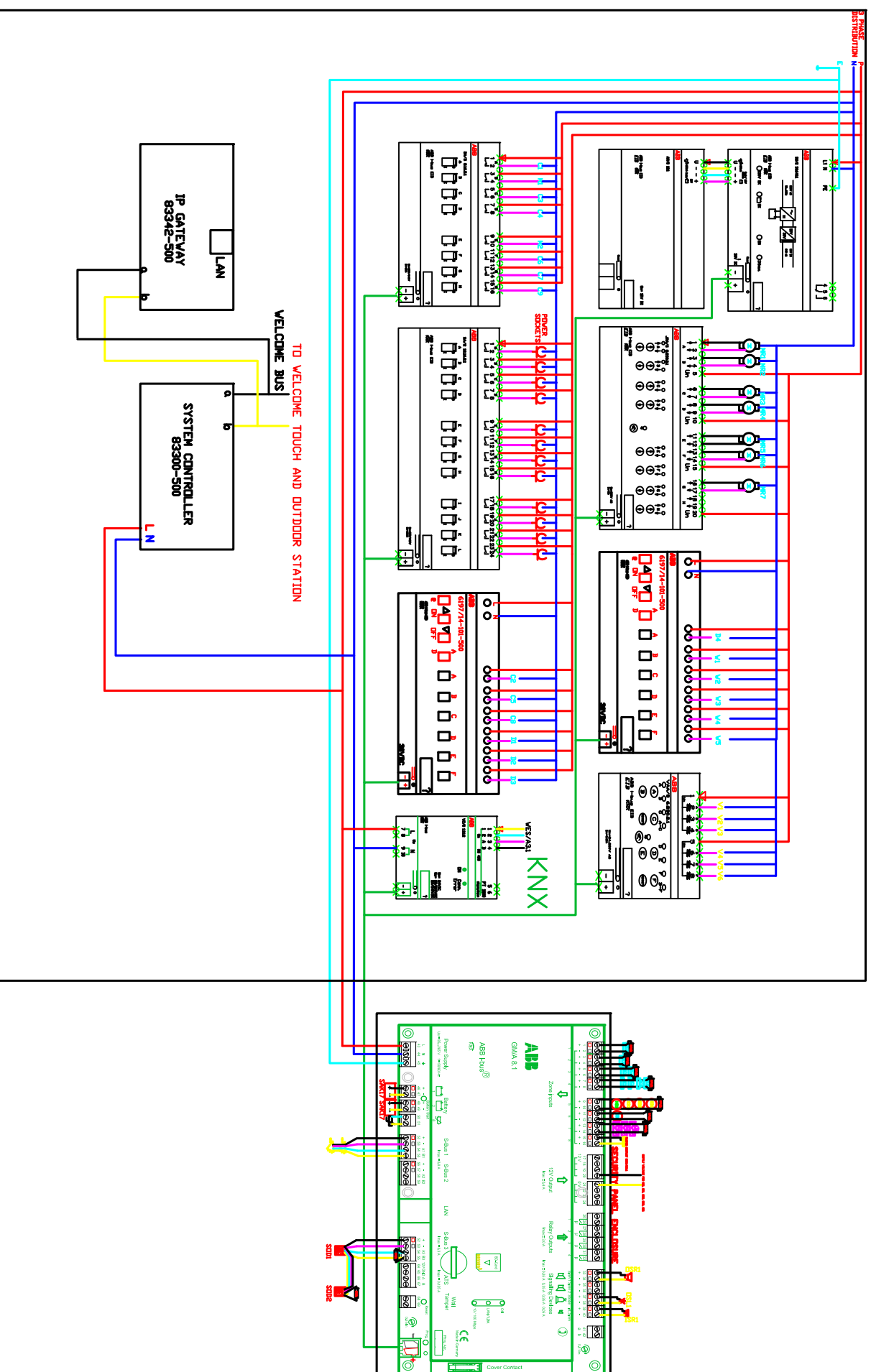


LEGENDE	DESCRIPTION
	AUTOMATION DISTRIBUTION BOARD
	SECURITY PANEL
	WALL LIGHT
	DIMMABLE CEILING LIGHT
	CEILING LIGHT
	HORROR LIGHT
	CURTAIN MOTOR
	GAS DETECTOR
	THERMAL SMOKE DETECTOR
	OPTICAL SMOKE DETECTOR
	MUCH PRESURE FOR HHT
	MAGNETIC REED CONTACT
	PIRON 36 WITH TOP DND DISPLAY RTC
	CONTROL, ELEMONT 8/46 WITH ROOM THERMISTAT
	PIRON 36 CONTROL, ELEMONT
	CONTROL, ELEMONT 4/SPRIDA
	IR MOTION DETECTOR
	WATER DETECTOR
	KEYPAD FOR SECURITY PANEL
	ABB WELCOME TOUCH
	ELECTRONIC SOLID STATE SWITCH
	COMBINATION SIGNALING DEVICE
	POWER SOCKETS
	THERMOELECTRIC VALVE DRIVES
	LIGHT FIXTURE CONTROL VINE
	NOX CANAL

DESIGNED BY : SREEDITH N

ABB

ABB



Note :

These drawings are exemplary and of an illustrative nature only and may not represent the exact wiring configuration of KNX devices according to the local electrical installation requirements. Please note the drawings also do not include the legally required primary electrical protection devices i.e., circuit breakers, earth fault devices, etc., as these are highly dependent on national installation regulations.

We reserve the right to make technical changes or modify the contents of the Document without prior notice. ABB does not accept any responsibility whatsoever for potential errors or possible lack of information in the Document.

We reserve all rights in the Document and in the subject matter and illustrations contained therein. Any reproduction, disclosure to third parties or utilization of its contents – in whole or in parts – is forbidden without prior written consent of ABB.

©Copyright 2015 ABB. All rights reserved.

Warranty, Liability:

The user shall be solely responsible for the use of the content of this Document.

ABB shall be under no warranty whatsoever. ABB's liability in connection with the Document, irrespective of the legal ground, shall be excluded. The exclusion of liability shall not apply in the case of intention or gross negligence. The present declaration shall be governed by and construed in accordance with the laws of Switzerland under exclusion of its conflict of law rules and of the Vienna Convention on the International Sale of Goods (CISG).