

## Emergency substations and power transformers

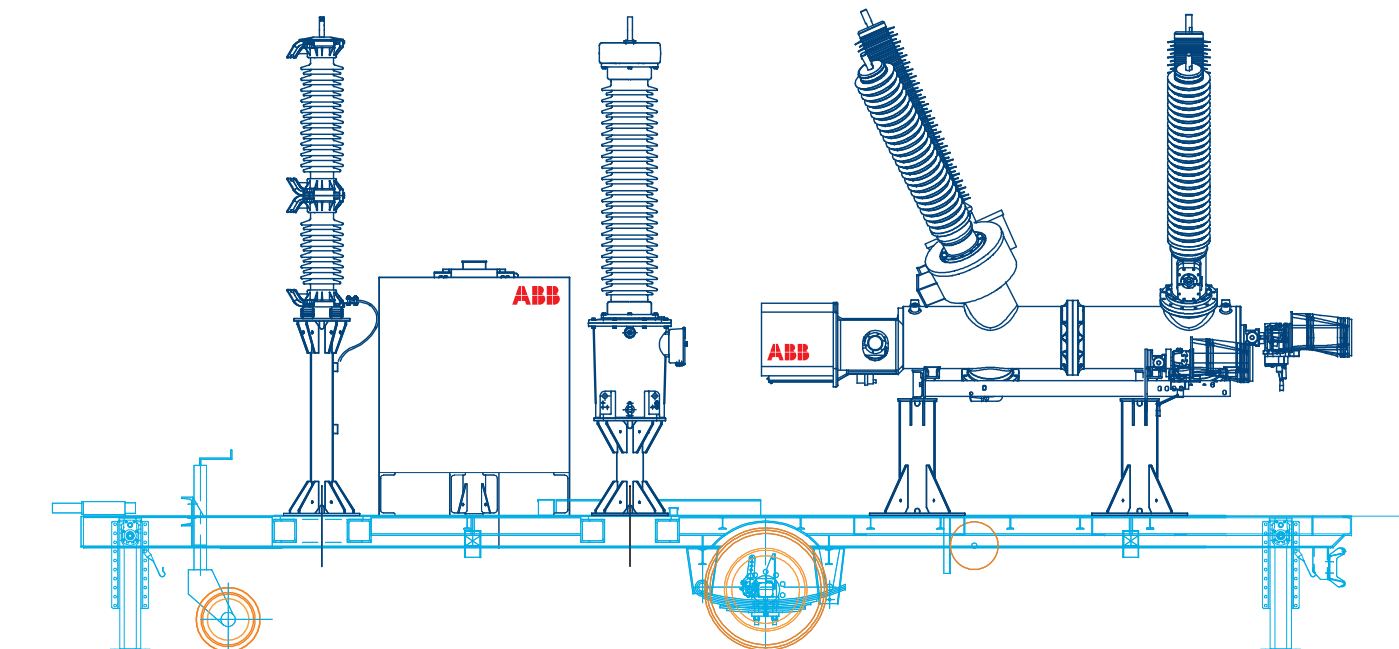


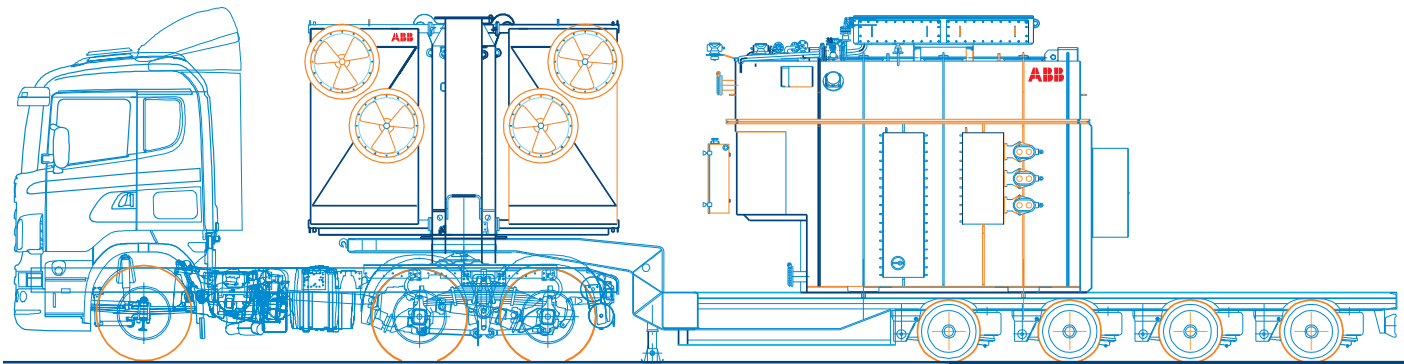
ABB offers a fast response to emergency situations for utilities, industrial and commercial customers. Mobile emergency substations and power transformers are available for renting at customer's convenience and minimize outage times during equipment failures or maintenance.

### Emergency substations

Renting ABB's emergency substations poses an attractive option for customers requiring a fast and cost-efficient grid connection on a temporary basis, be it during maintenance of existing substations or when building new ones. The skid-mounted solutions include a plug-and-switch system module PASS M0 rated at 170 kV including a VT and CT, and come complete with surge arresters, inductive voltage transformer as well as protection and control systems.

The many advantages offered by such a solution include high availability, rapid construction as well as easy connection to new and existing AIS substations.

The substations can quickly be positioned and connected to the grid and are a viable solution in situations where feed-in tariffs are due to expire and fast installation is vital for meeting tight deadlines. Similarly, these facilities help to minimize outage time when an existing substation is being replaced, refurbished or serviced, and can connect renewable as well as traditional power generation plants.



© Copyright, 2012 ABB. All rights reserved.

### Emergency power transformers

ABB's emergency power transformers are available within less than 24 hours for emergency situations and temporary energy supply, and can help to shorten the time needed to establish a grid connection when a new power plant is being built.

The reliable and high-performance transformers have a peak power rating of 30 MVA and include cable plug-in solutions on the 145/170 kV HV side and the 20/30 kV LV side. The units are designed to standard dimensions to reduce transport times and cost, and avoid the need for special permissions.

The plug-in features enable the emergency transformers to be installed close to any existing ones. Apart from providing high flexibility and mobility, the units facilitate continuous infeed from power plants, and help to cut outages to a minimum.

For more information please contact:

#### ABB S.p.A.

Via L. Lama 33  
20099 Sesto San Giovanni  
Milan, Italy  
Phone: +39 02 2414 8138  
Fax: +39 02 2414 2322  
Email: [service.sottostazioni@it.abb.com](mailto:service.sottostazioni@it.abb.com)

[www.abb.com/substations](http://www.abb.com/substations)



#### Note:

We reserve the right to make technical changes or modify the contents of this document without prior notice. With regard to purchase orders, the agreed particulars shall prevail. ABB S.p.A. does not accept any responsibility whatsoever for potential errors or possible lack of information in this document. We reserve all rights in this document and in the subject matter and illustrations contained therein. Any reproduction, disclosure to third parties or utilization of its contents – in whole or in parts – is forbidden without prior written consent of ABB S.p.A..

Power and productivity  
for a better world™ **ABB**

