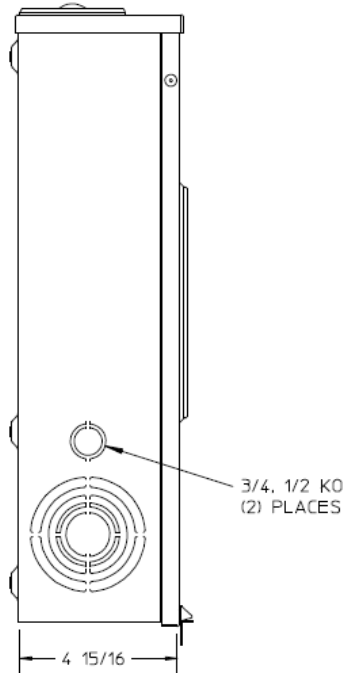
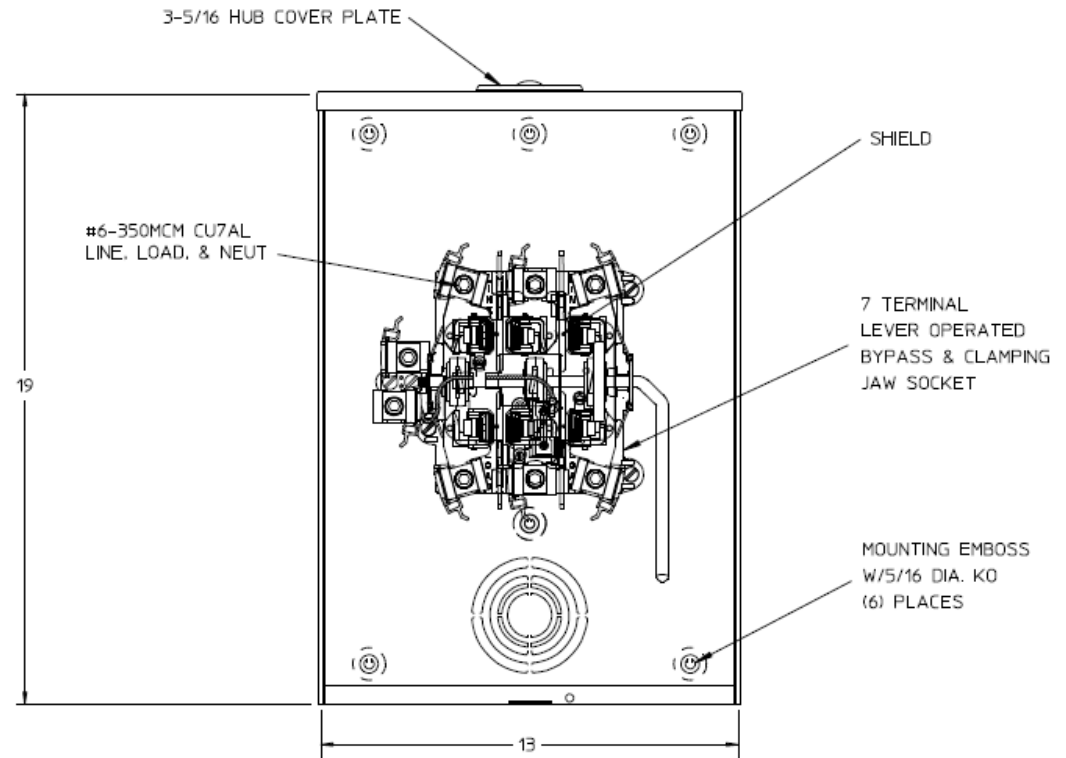


Left Side View



Front View Interior

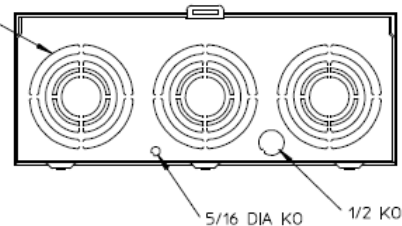


Notes

- 1) FINISH: GRAY
- 2) CABINET: 16 GA GALV. STEEL
- 3) 200 AMP CONTINUOUS
600 VAC, 3 PHASE, 4-WIRE
200 AMP BYPASS
- 4) UNIT SUPPLIED WITH 'AE' STAMPED
ON UPPER RIGHT HAND SIDE OF CABINET.
- 5) UNIT SUPPLIED WITH INHIBITOR
- 6) TEMPORARY CARDBOARD METER
OPENING COVER PROVIDED.
- 7) MIDWEST LABEL ATTACHED TO END
OF THE CARTON.
- 8) MIDWEST LOGO STAMPED IN THE
LOWER LEFT-HAND CORNER OF FRONT.

3, 2-1/2, 2, 1-1/2, 1-1/4, 1 KO
(6) PLS

Bottom View



METER SOCKET--(1) 200A 600V 3P4W 16GA STL N3R
7-TERM LEVER BYPASS SMALL HUBCVRPLT TOP/BOT
FEED AUSTIN ENERGY

CAT NO	DWG DATE	REV #
1006353CMEP	05/22/2018	01