

KNOCKOUT TABLE		
ITEM	DESCRIPTION	QTY
A	9/32 KO	2
B	1/2" KO	3
C	1/2 X 3/4 X 1 KO	2
D	1/2 X 3/4 X 1 X 1 1/4 X 1 1/2 X 2 X 2 1/2 KO	5

**ABB**

METER MAIN 125A XCEL

THIRD ANGLE	SHEET#	DWG NO.	DATE	REV
	1 of 2	PM12RLLCSM01_OD	2026	A

28 27 26 25 24 23 22 21

D

D

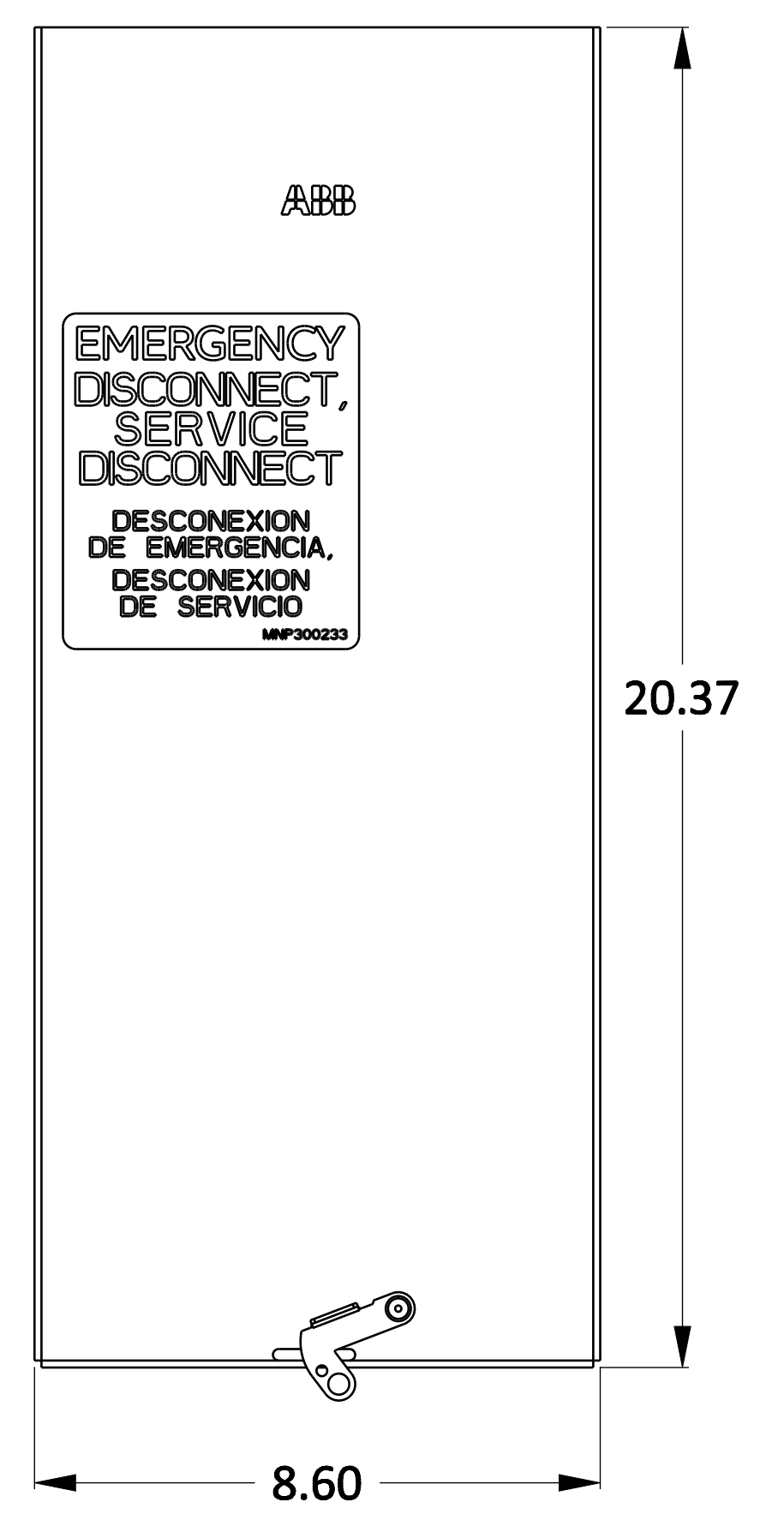
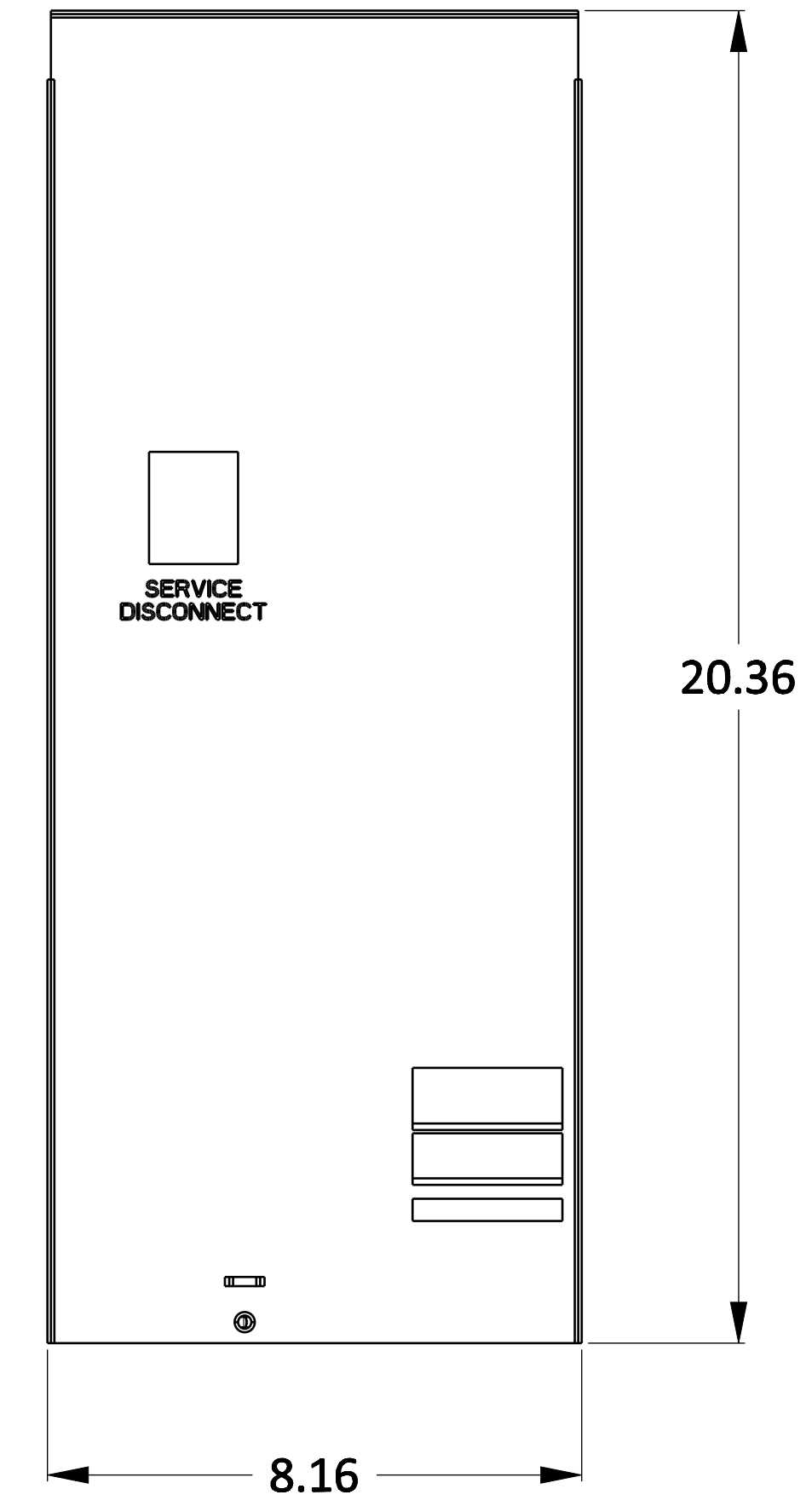
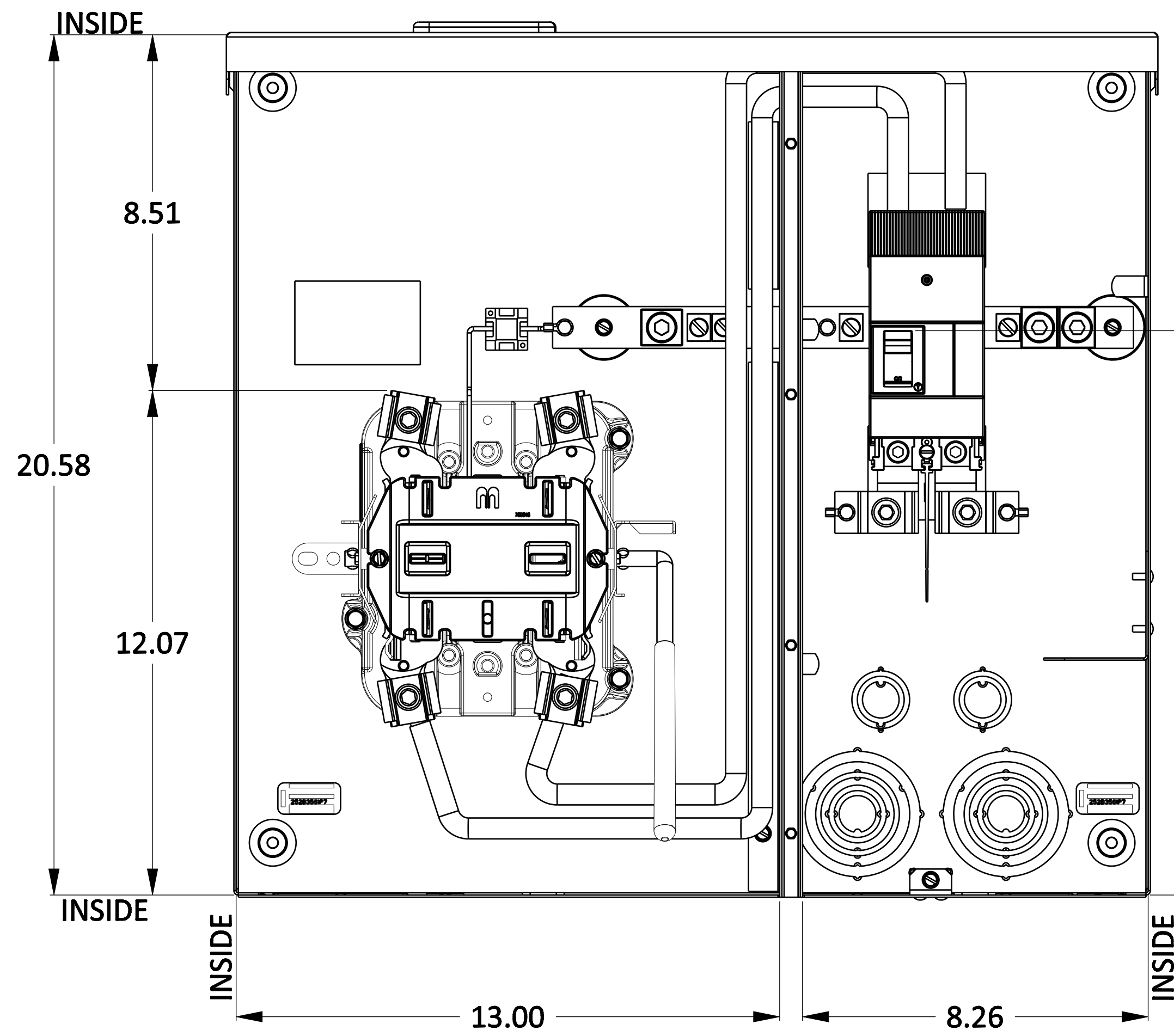
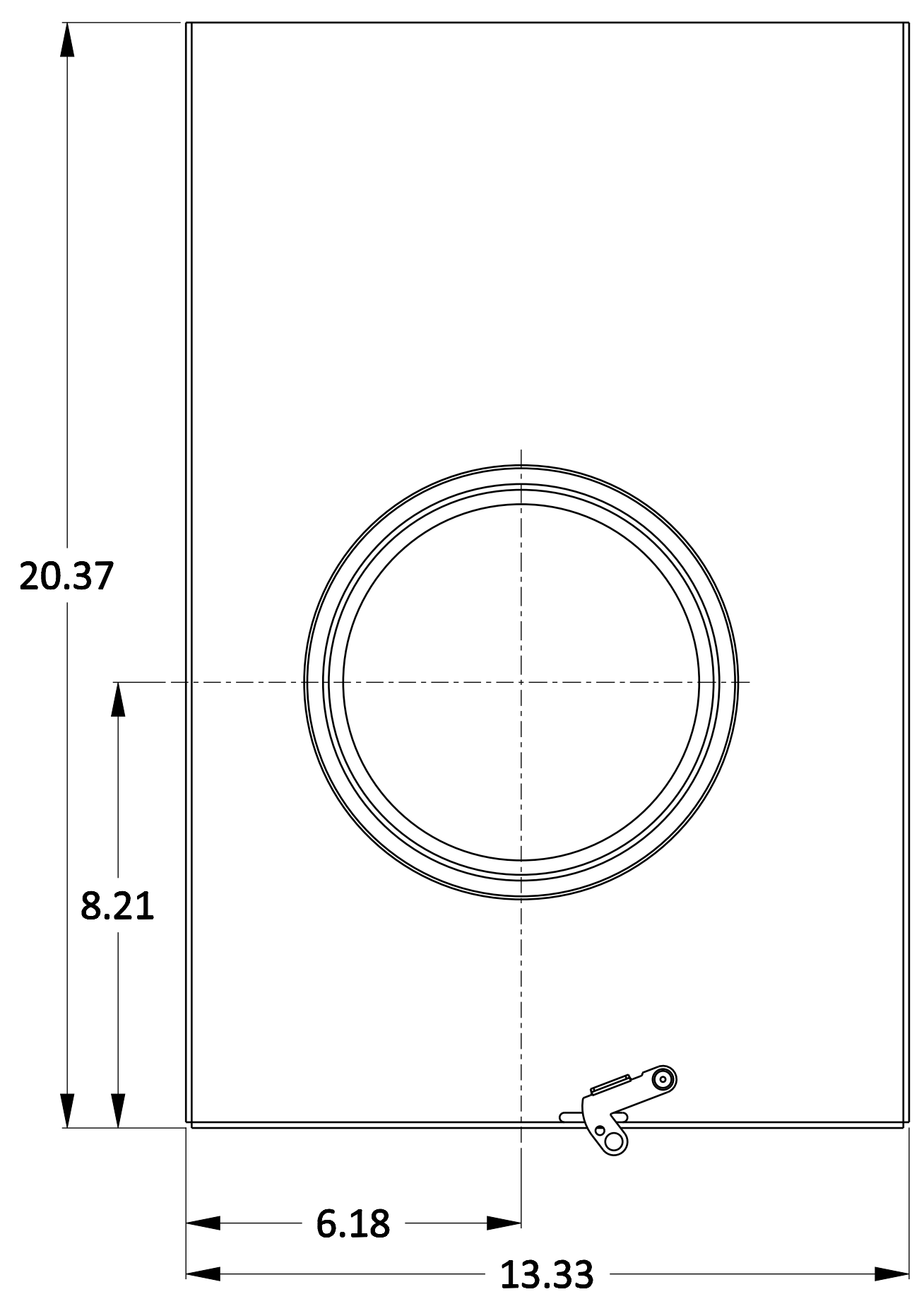
C

C

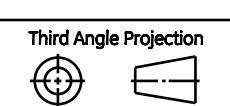
B

B

A



**ABB PROPRIETARY AND CONFIDENTIAL INFORMATION**  
The information contained in this document has to be kept strictly confidential. Any unauthorized use, reproduction, distribution or disclosure to third parties is strictly forbidden. ABB reserves all rights. Copyright © 2024 ABB. All rights reserved.



<b>ABB</b>			
SIZE	NUMBER	REV	
D	PM12RLCS	A	
SCALE	PRODUCT LINE	SHEET	
0.400	METER MAIN	2 of 2	

28 27 26 25 24 23 22 21