

TECHNICAL DATA SHEET

PMA Automation - DKLK - Heavy duty swivel base**PMA****CE UK
CA****Applications:**

- in automation and robotic applications

Features & Benefits:

- Robust construction
- Sealed high quality bearing with minimal play
- Allows rotation of cable pack supports
- Suitable for high mechanical forces in all assembly positions
- BSH tube clamp easy to install on the bearing with central screw
- Cylinder pin prevents twisting of the clamp on the bearing

Materials:

- Black anodised aluminium

Compatible with:

- PMA Automation - BSH - Tube clamp

Colour:

- Black

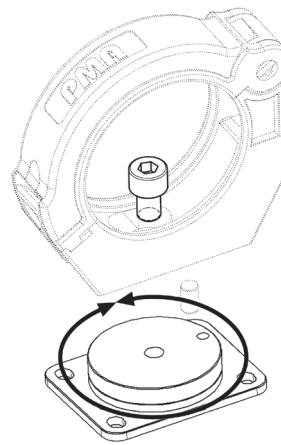
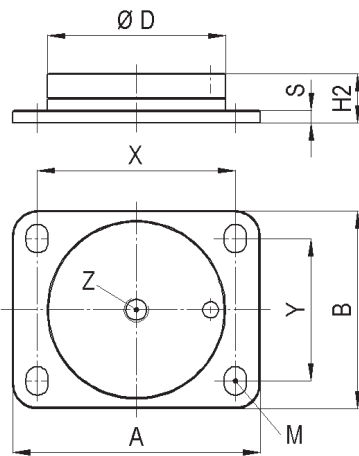
Environmental properties:

- Free from halogens and cadmium
- RoHS and REACH compliant

Product selection:

Part no.	Fits to	Dimensions in mm (nom.)							Screws		Weight	Packing unit
		A	B	S	H2	Ø D	X	Y	Z	M		
black											kg/100 pcs	pcs/PU
DKLK-R56X56	BSH-R23 /-R29/-R36/-R48	56	56	5	21.5	40	43	43	M8	M6	10.5	1
DKLK-R100X80	BSH-R56 /-R70	100	80	5	20	72	80	57.5	M10	M8	29.5	1
DKLK-R100X80/O1	BSH-R29 /-R36 /-R48	100	80	5	23	60	80	57.5	M8	M8	25.7	1

Our customer service dept. or local distribution partner will be pleased to help you concerning product availability and lead time



Thermal properties:	Value:	Test parameters:	Test method:
Continuous application temperature	-50 ... +105°C	(20'000 h)	PMA DO 9.21-4510
		(168 h)	

Content of delivery:

- Swivel base
- 1 allen srew

Assembly instructions:

- An additional cylindrical pin is not included because the BSH tube clamp is delivered with a suitable pin

ABB Switzerland Ltd,
PMA Cable Protection
Aathalstrasse 90
8610 Uster, Switzerland
Phone: +41 58 585 00 11
pma-info@ch.abb.com
www.pma.ch

Let's write the future.
Together. **abb.com**

We reserve the right to make technical changes or modify the contents of this document without prior notice. With regard to purchase orders, the agreed particulars shall prevail. ABB Installation Products Inc. does not accept any responsibility whatsoever for potential errors or possible lack of information in this document.

We reserve all rights in this document and in the subject matter and illustrations contained therein. Any reproduction, disclosure to third parties or utilization of its contents – in whole or in parts – is forbidden without prior written consent of ABB Inc. Copyright© 2019 ABB Installation Products Inc. All rights reserved

