

Limit Switches

Trustworthy detection devices

Using limit switches is the easiest way to convert mechanical movements in to electrical signals. They combine different types of actuators, casings and contacts and are perfectly suited to a large variety of applications, whatever the environment.



Reliable in extreme conditions



Continuous operation



Global availability

Ready for anything

Limit switches are designed to operate in the most difficult environments. A high degree of protection up to IP66 and the positive contact opening, guarantees reliable operation.

Keep your installation running 24h a day

Limit switches secures your uptime. Their high mechanical durability can handle up to 10 million operations with contacts that are mechanically linked to actuators.

Wherever you are

Easy product selection from our core offering that covers most applications. Thanks to global certification, our products can be used everywhere to ensure your peace of mind.

Main applications

Sustainability of detection for a wide variety of applications

Material handling equipment (cranes, ramps, elevators...)
Escalators, parking barriers and automatic doors
Machine tools and manufacturing lines.



Power and productivity
for a better world™





A simple core range selection covering 80% of the applications...

Width 30 mm

Plastic casing - Double insulation - IP65

Head type	Cable inlet	Type	Order code
11 Plain plunger steel	Iso 16 Iso 20 1/2" NPT	LS32P11B11 LS33P11B11 LS35P11B11	1SBV010311R1211 1SBV012211R1211 1SBV012111R1211
13 Roller plunger plastic	Iso 16 Iso 20 1/2" NPT	LS32P13B11 LS33P13B11 LS35P13B11	1SBV010313R1211 1SBV012213R1211 1SBV012113R1211
41 Roller lever plastic	Iso 16 Iso 20 1/2" NPT	LS32P41B11 LS33P41B11 LS35P41B11	1SBV010341R1211 1SBV012241R1211 1SBV012141R1211
51 Adjustable roller lever plastic	Iso 16 Iso 20 1/2" NPT	LS32P51B11 LS33P51B11 LS35P51B11	1SBV010351R1211 1SBV012251R1211 1SBV012151R1211
91 Flexible rod steel	Iso 16 Iso 20 1/2" NPT	LS32P91B11 LS33P91B11 LS35P91B11	1SBV010391R1211 1SBV012291R1211 1SBV012191R1211

Metal casing - IP66

Head type	Cable inlet	Type	Order code
11 Plain plunger steel	Iso 16 Iso 20 1/2" NPT	LS32M11B11 LS33M11B11 LS35M11B11	1SBV011911R1211 1SBV013811R1211 1SBV013711R1211
12 Roller plunger steel	Iso 16 Iso 20 1/2" NPT	LS32M12B11 LS33M12B11 LS35M12B11	1SBV011912R1211 1SBV013812R1211 1SBV013712R1211
41 Roller lever plastic	Iso 16 Iso 20 1/2" NPT	LS32M41B11 LS33M41B11 LS35M41B11	1SBV011941R1211 1SBV013841R1211 1SBV013741R1211
51 Adjustable roller lever plastic	Iso 16 Iso 20 1/2" NPT	LS32M51B11 LS33M51B11 LS35M51B11	1SBV011951R1211 1SBV013851R1211 1SBV013751R1211
91 Flexible rod steel	Iso 16 Iso 20 1/2" NPT	LS32M91B11 LS33M91B11 LS35M91B11	1SBV011991R1211 1SBV013891R1211 1SBV013791R1211

Width 40 mm

Plastic casing - Double insulation - IP65

Head type	Cable inlet	Type	Order code
11 Plain plunger steel	Iso 20 1/2" NPT	LS43P11B11 LS45P11B11	1SBV010711R1211 1SBV012411R1211
13 Roller plunger steel	Iso 20 1/2" NPT	LS43P13B11 LS45P13B11	1SBV010713R1211 1SBV012413R1211
41 Roller lever plastic	Iso 20 1/2" NPT	LS43P41B11 LS45P41B11	1SBV010741R1211 1SBV012441R1211
51 Adjustable roller lever plastic	Iso 20 1/2" NPT	LS43P51B11 LS45P51B11	1SBV010751R1211 1SBV012451R1211
91 Flexible rod steel	Iso 20 1/2" NPT	LS43P91B11 LS45P91B11	1SBV010791R1211 1SBV012491R1211

Metal casing - IP66

Head type	Cable inlet	Type	Order code
11 Plain plunger steel	Iso 20 1/2" NPT	LS43M11B11 LS45M11B11	1SBV011611R1211 1SBV013111R1211
13 Roller plunger steel	Iso 20 1/2" NPT	LS43M13B11 LS45M13B11	1SBV011613R1211 1SBV013113R1211
41 Roller lever plastic	Iso 20 1/2" NPT	LS43M41B11 LS45M41B11	1SBV011641R1211 1SBV013141R1211
51 Adjustable roller lever plastic	Iso 20 1/2" NPT	LS43M51B11 LS45M51B11	1SBV011651R1211 1SBV013151R1211
91 Flexible rod steel	Iso 20 1/2" NPT	LS43M91B11 LS45M91B11	1SBV011691R1211 1SBV013191R1211

Cable inlet:

ISO 16 (standard version) equivalent to Pg11 – Cable diameter: 4.5 mm ... 10 mm (according to cable gland manufacturer)

ISO 20 (standard version) equivalent to Pg13.5 – Cable diameter: 7 mm ... 14 mm (according to cable gland manufacturer)

Technical data	Plastic casing	Metal casing
Rated operational characteristics	AC-15: U _e = 400 V, I _e = 4 A ; A600 DC-13: U _e = 250 V, I _e = 0,27 A ; Q600	AC-15: U _e = 400 V, I _e = 4 A ; A300 DC-13: U _e = 250 V, I _e = 0,27 A ; Q300
Casing material	UL-V0 thermoplastic	30 mm casing: zinc alloy / 40 mm casing: aluminum alloy
Contact types	1 N.O. + 1 N.C., snap action	
I _{thc} conventional enclosed thermal current	10 A	
Screw terminals with cable clamp	M3.5 - Screwdriver type: Pozidriv 2	

Additional versions



60 mm casing width and several heads



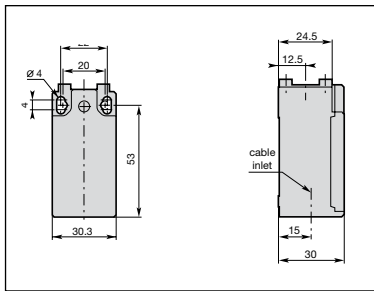
Pre-wired limit switches
Compact 30 mm casing width



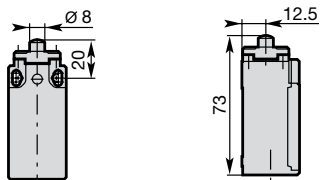
Foot switches

Width 30 mm Plastic casing

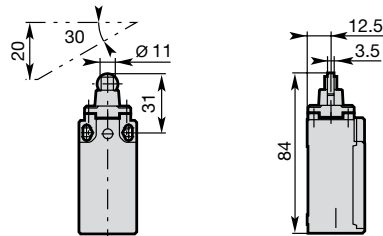
Main dimensions mm



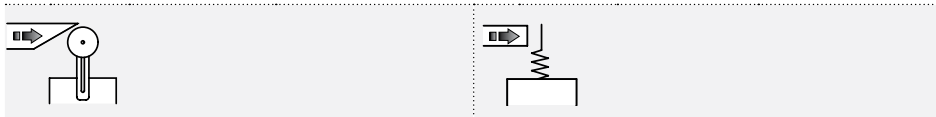
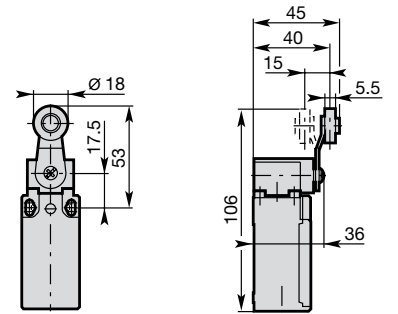
11 Plain plunger steel



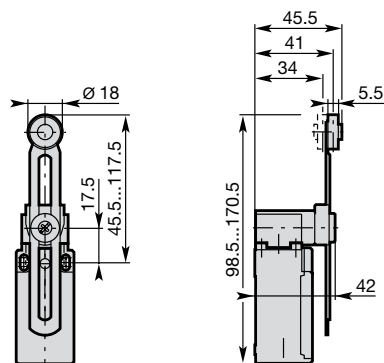
13 Roller plunger plastic



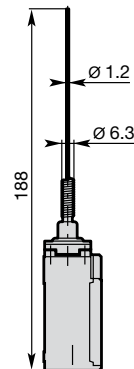
41 Roller lever plastic



51 Adjustable roller lever plastic

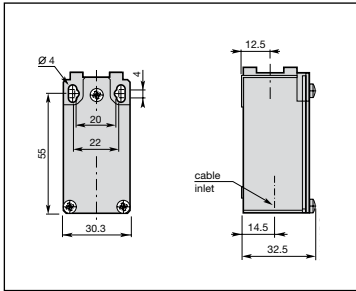


91 Flexible rod steel



Width 30 mm Metal casing

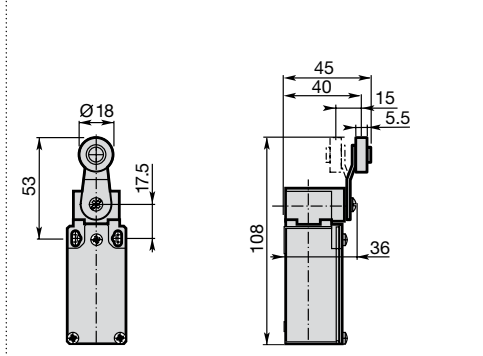
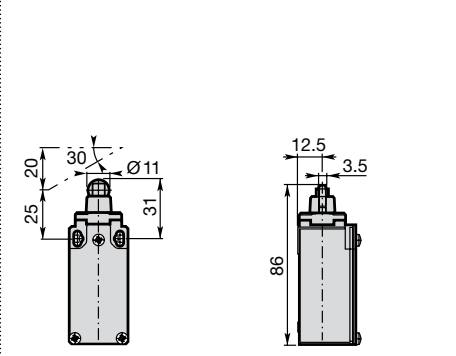
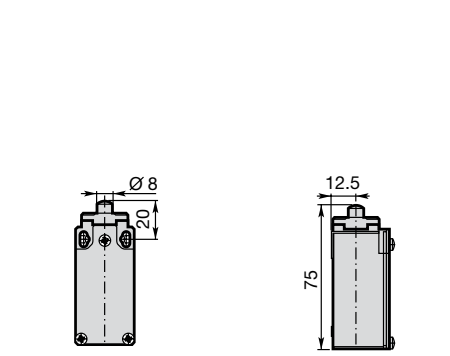
Main dimensions mm



11 Plain plunger steel

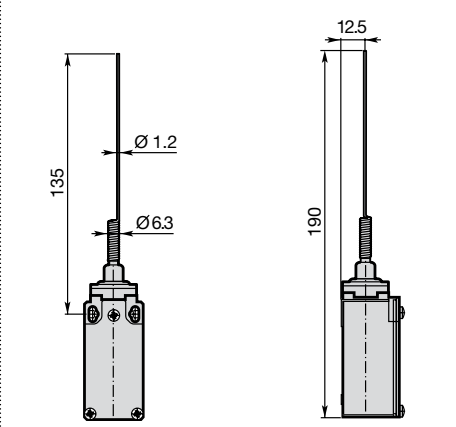
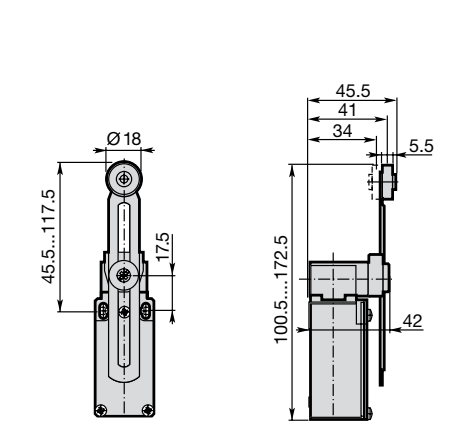
12 Roller plunger steel

41 Roller lever plastic



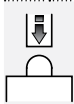
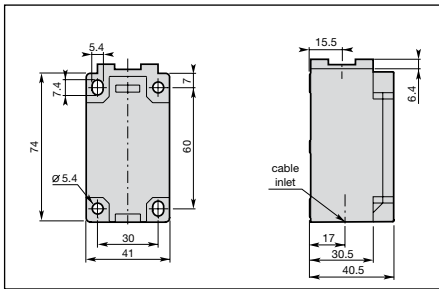
51 Adjustable roller lever plastic

91 Flexible rod steel

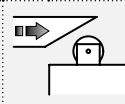
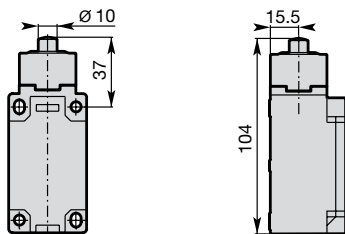


Width 40 mm Plastic casing

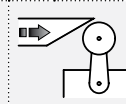
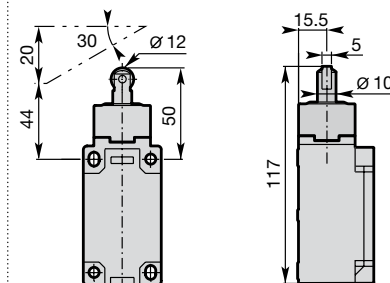
Main dimensions mm



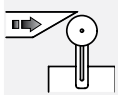
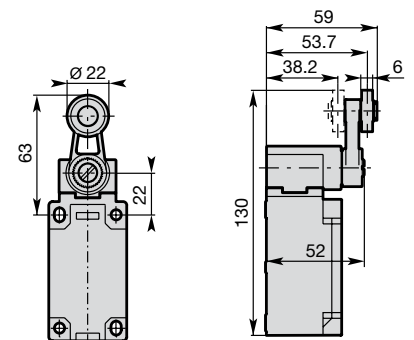
11 Plain plunger steel



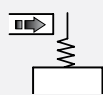
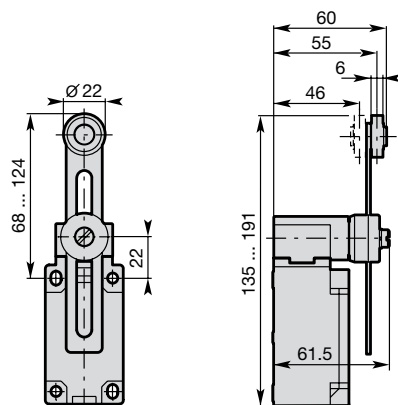
13 Roller plunger steel



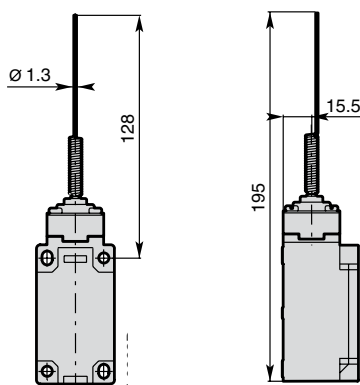
41 Roller lever plastic



51 Adjustable roller lever plastic

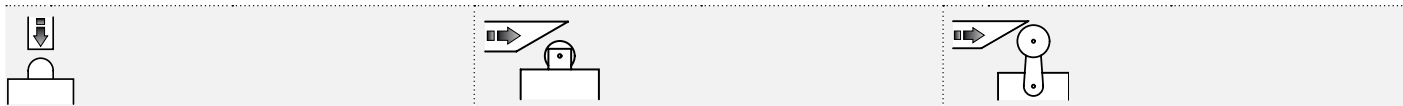
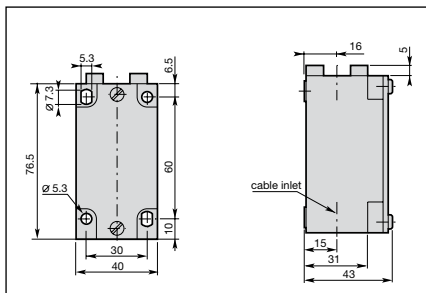


91 Flexible rod steel

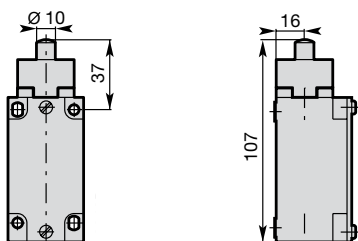


Width 40 mm Metal casing

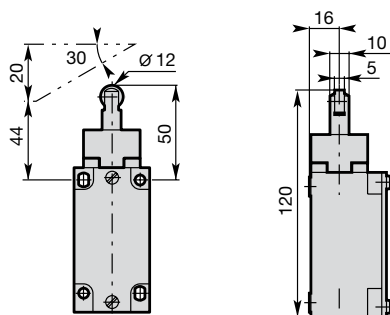
Main dimensions mm



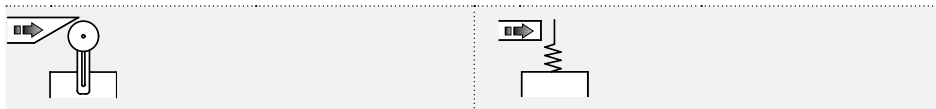
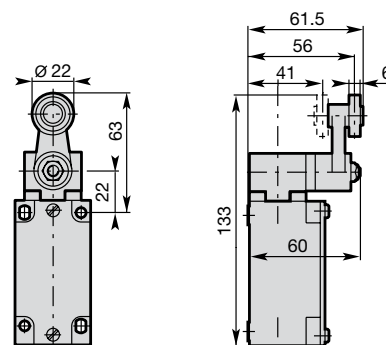
11 Plain plunger steel



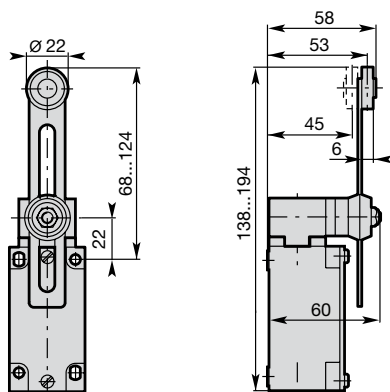
13 Roller plunger steel



41 Roller lever plastic



51 Adjustable roller lever plastic



91 Flexible rod steel

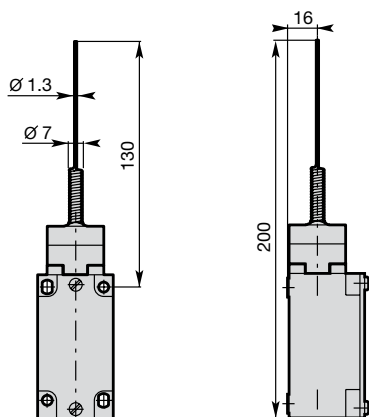


ABB France
Electrification Products Division
Low Voltage Products and Systems
 3, rue Jean Perrin
 F-69687 Chassieu cedex / France



Dimension drawings



<http://new.abb.com/low-voltage/products/limit-switches>