

VB LED Series

Hazardous location battery unit

CERTIFICATION

CLASS I

Division 2

Group A, B, C, D

Contact your ABB sales representative to verify classification

APPROVALS



UL844
UL924



CERTIFIED
FOR U.S. ONLY

US
LR111065

FEATURES



nexus



Key features and benefits

HOUSING

Class I Division 2, Groups A, B, C and D

Vandal-resistant UV stabilized polycarbonate lamp cover

Front and back plates are of a heavy duty aluminum

Stainless steel tamper-proof screws

MOUNTING

Surface wall mount only

Includes mounting lugs on each side of the housing

Universal J-box mounting

1/2 inch entry on both sides and top of housing

Lamp type

Choice of MR16 LED lamp wattages

LAMP TYPE

Choice of MR16 LED lamp wattages

ELECTRONICS

Pulse plus charger

Low voltage disconnect

Automatic brownout protection

Battery lock-out

Fused output circuit

Magnetic test switch

Standard Advanced Diagnostics (non-audible)

Optional Nexus® monitoring system

120/277 60Hz

BATTERY TYPE

6 or 12V lead-calcium battery

APPROVALS

CSA-US (to UL 924 standards)

Evaluated to the UL 844 Standard for Class I Division 2, Groups A, B, C and D

NEC, OSHA and NEMA compliant for above Classes and Groups

Temperature code T4 (for no lamp version only). Max temperature 275°F/135°C.

Damp and wet location 10 to 40°C (50 to 104°F)

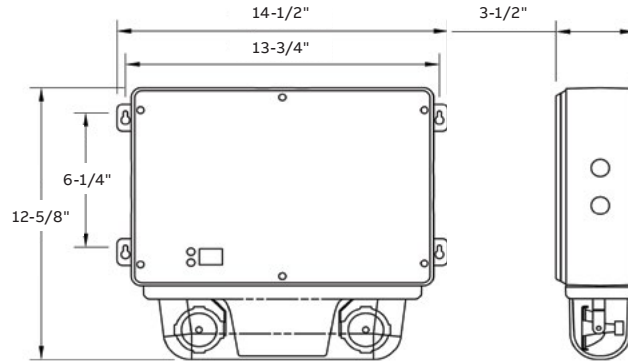
WARRANTY

Unit has a five-year limited warranty

VB LED Series

DIMENSIONS

Dimensions are approximate and subject to change.



TEMPERATURE CODES

Lamp rating ¹	Temperature code	Max. temperature	Replacement part #
6V-4W	T4A	248°F/120°C	580.0097
6V-5W	T4A	248°F/120°C	580.0122
12V-4W	T5	212°F/100°C	580.0080
12V-5W	T4A	248°F/120°C	580.0104
12V-6W	T4	275°F/135°C	580.0106

¹Use qualified replacement lamps to avoid risk of over-heating

EMERGENCY LIGHTING FIXTURE

Part	Part number	Description
1 Series	VB0618	6V 18W lead-calcium
	VB1236	12V 36W lead-calcium
	VB1260	12V 60W lead-calcium
	VB1272	12V 72W lead-calcium
2 Lamps	0	No heads, no lamp
	L1	2 x MR16 LED 6V 4W
	L2	2 x MR16 LED 6V 5W
	L7	2 x MR16 LED 12V 4W
	L9	2 x MR16 LED 12V 5W
	L10	2 x MR16 LED 12V 6W
3 Voltage	03	120/277V 60 HZ
4 Color	G	Gray housing
5 Charger type	Blank	Advanced Diagnostics non-audible
	DA	Advanced Diagnostics audible
	NEXRF	Nexus® wireless
6 Options	Blank	No option
	-T3	Time delay 15 minutes