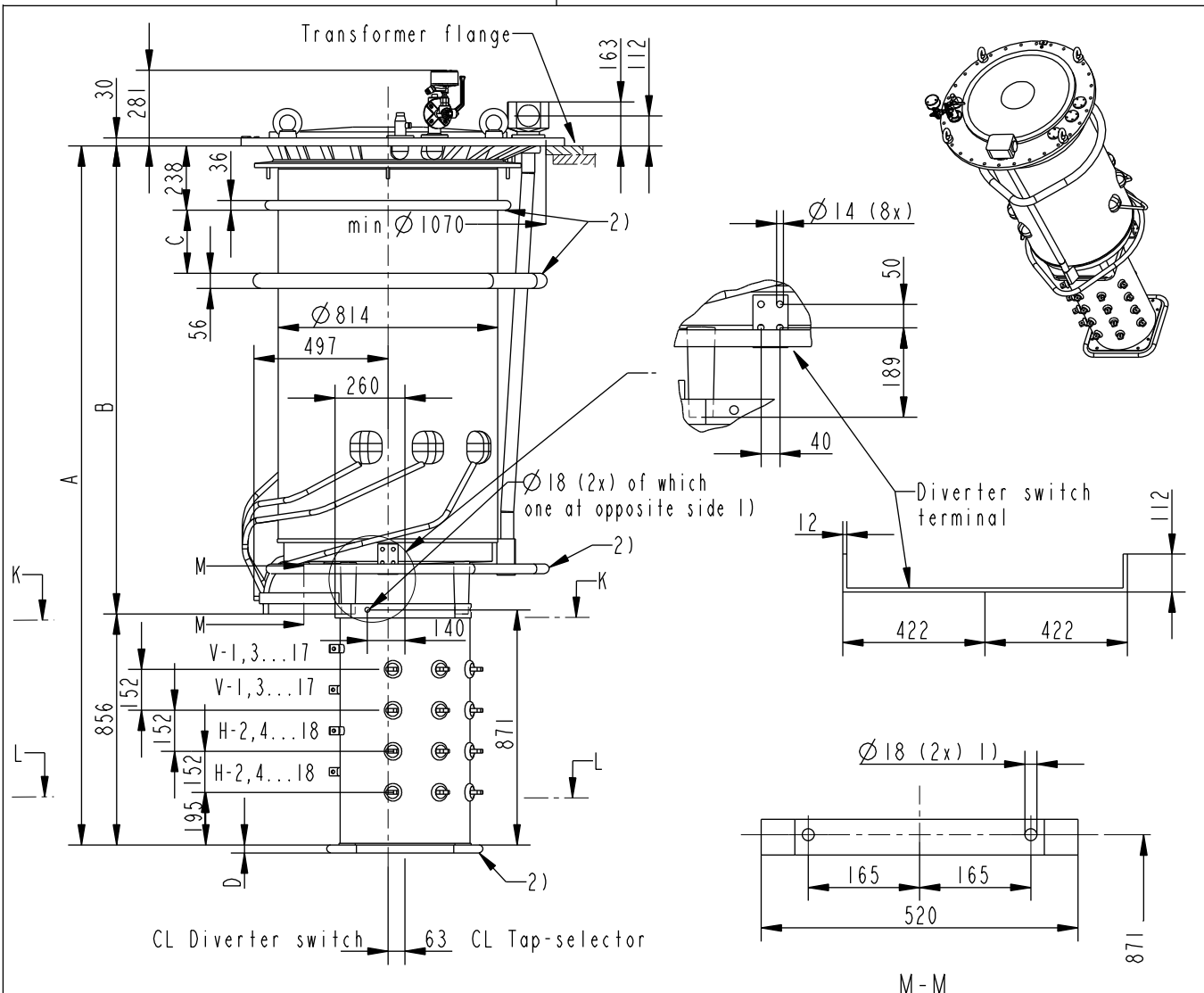
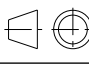


We reserve all rights in this document and in the information contained therein. Reproduction, use or disclosure to third parties without express authority is strictly forbidden. ©ABB



- 1) Holes for mounting of supports for cleats and leads
- 2) Shielding rings for insulating levels 650kV and 1050kV only

INSULATION LEVEL kV	380	650	1050
A	2450	2590	2790
B	1594	1734	1934
C	-	240	440
D	-	30	36
E	-	580	586

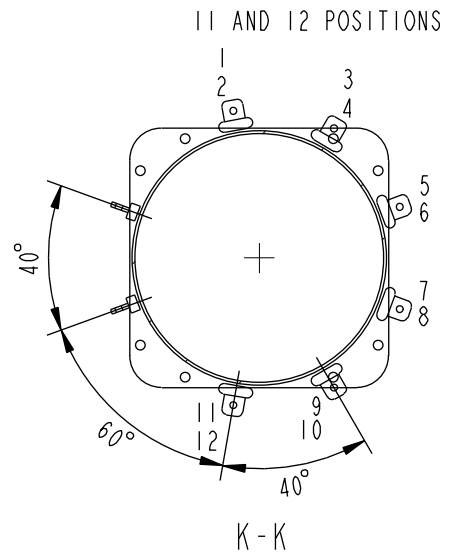
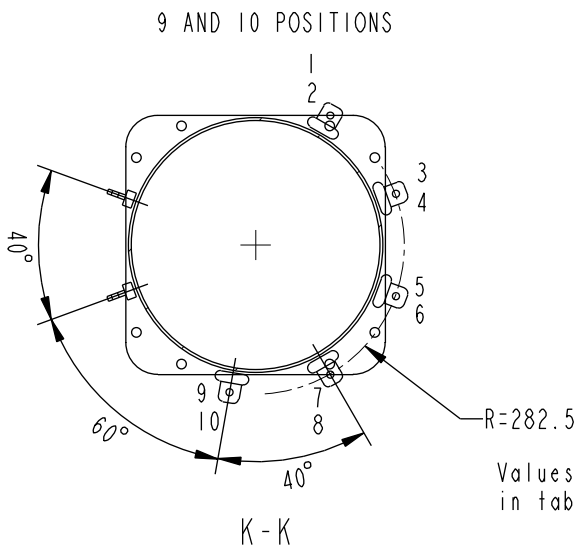
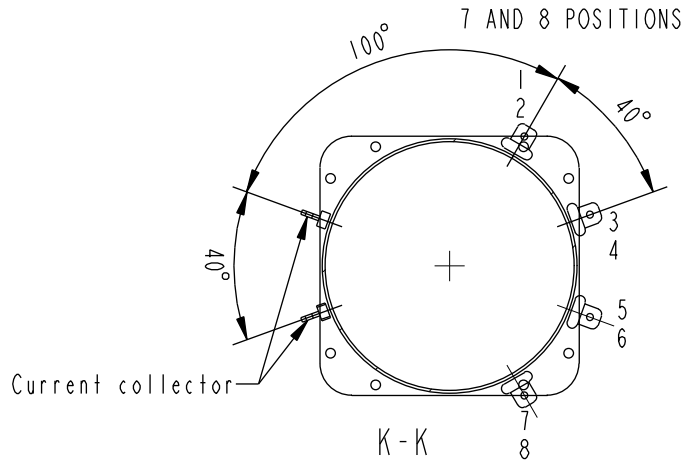
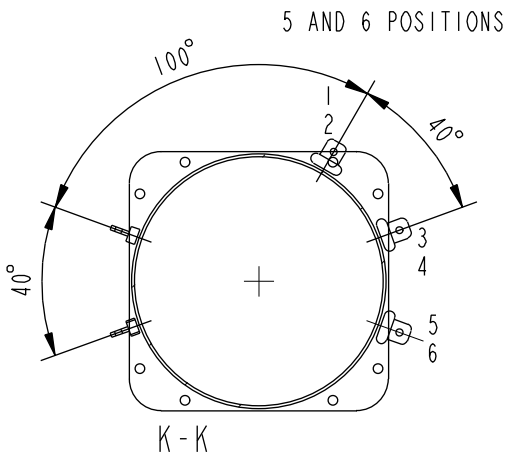
Inspection engineering review	Production engineering review	Based on	Reg. No.	Title TAP-CHANGER UCD UCDLE XXXX/1800/III 5-18 pos Document No. 54920091-3	 Language en Page 1(3)
Design engineering review	Prepared T Sapila 96-09-05	Responsible department COM/TK	Take over department		
Approved M Eriksson	Revision Rev 4 06-10-02	Database DIMENSION_DWGS			
ABB		ABB Components			

We reserve all rights in this document and in the information contained therein. Reproduction, use or disclosure to third parties without express authority is strictly forbidden. ©ABB

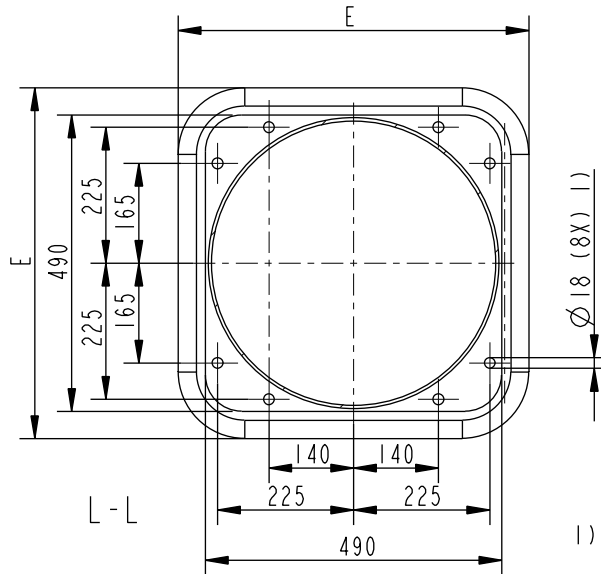
Production engineering review

Design engineering review

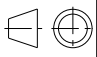

Inspection engineering review



Values for dim. E
in table on page 1

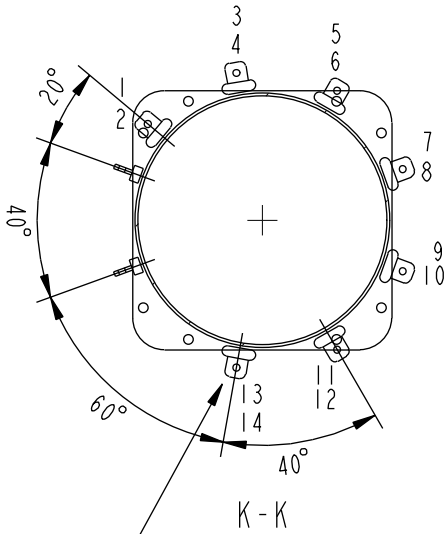


1) Holes for mounting of supports for cleats and leads

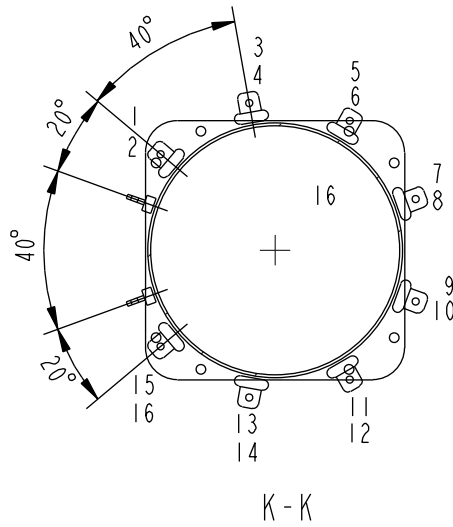
Based on	Reg. No.	Title TAP-CHANGER UCD UCDLE XXXX/1800/III	 Language en Page 2(3)
Prepared T Sapila 96-09-05	Responsible department COM/TK		
Approved M Eriksson	Take over department		
Revision Rev.4 06-10-02	Database DIMENSION_DWGS		
 ABB Components		Document No.	54920091-3

We reserve all rights in this document and in the information contained therein. Reproduction, use or disclosure to third parties without express authority is strictly forbidden.
©ABB

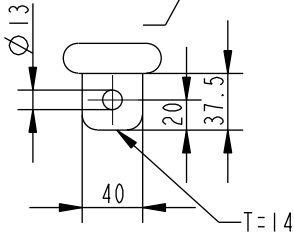
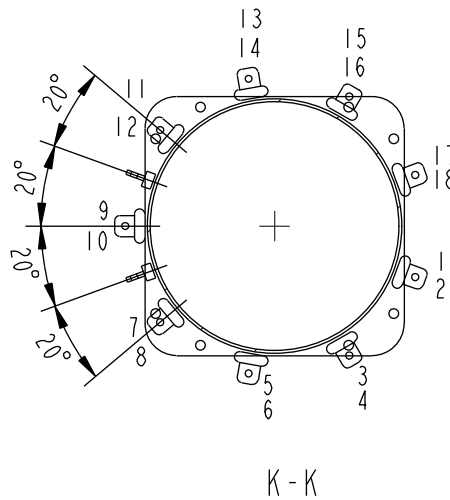
13 AND 14 POSITIONS



15 AND 16 POSITIONS

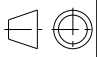



17 AND 18 POSITIONS



ADDITIONAL DRAWINGS:

Connection Diagrams: See Technical Guide UC
 Mounting on active part: 54920087-1
 Top Section, Accessories: 54920087-2
 Motor Drive BUL: 54830001-1
 Motor Drive BUE: 54830001-2 or -3
 External Drive Shaft: 54920083-4
 Pressure Relay: 54920083-2
 Bevel Gear: 54920083-1

Based on	Reg. No.	Title TAP-CHANGER UCD UCDLE XXXX/1800/III	 Language en	
Prepared T Sapila 96-09-05	Responsible department COM/TK			Page 3(3)
Approved M Eriksson	Take over department			
Revision Rev.4 06-10-02	Database DIMENSION_DWGS			Document No. 54920091-3
 ABB Components				

Inspection engineering review

Production engineering review

Design engineering review