

14

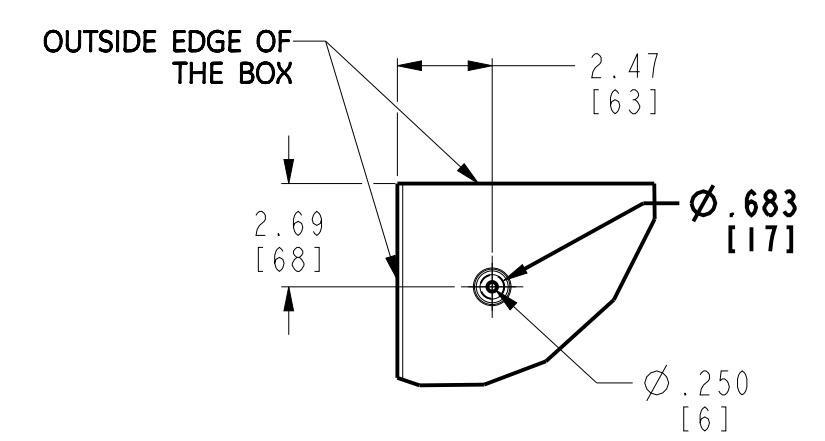
13

12

11

CIRCUIT BREAKER LUGS: CATALOG DATA				
CIRCUIT BREAKER CAT NO. PREFIX	AMPERE RATING	BREAKER LUG CATALOG NUMBER		WIRE SIZE (AWG/KCMIL)
XT7	1200A	KXT7CUAL4X500K-3PC	KXT7CUAL4X500K-4PC	(4) #4/0 - 500 CU-AL

FIELD INSTALLABLE NEUTRAL ASSEMBLY AND GROUND KIT			
CAT NO. PREFIX	TYPE	AMPERE RATING	WIRE SIZE (AWG/KCMIL)
TGL6	GND KIT	600-1200A	(3) #2-250 CU-AL
TNIA 1200	NEUTRAL ASM	1200A	(4) #250-350 CU (4) #250-500 AL



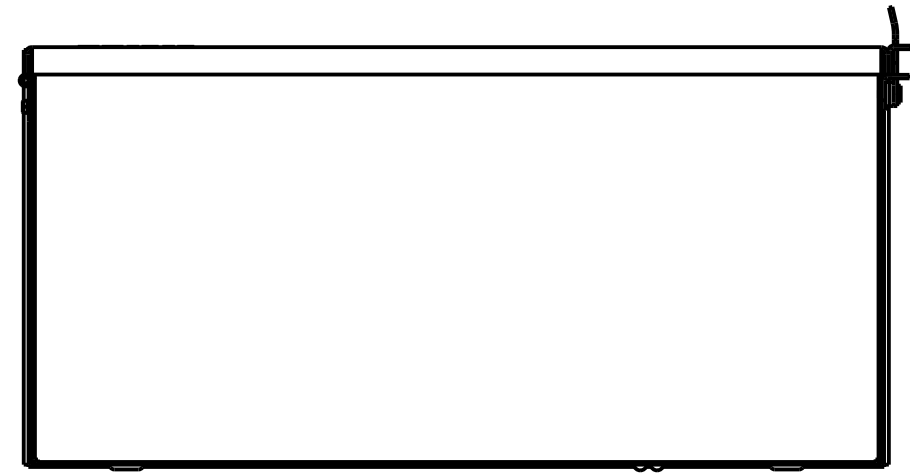
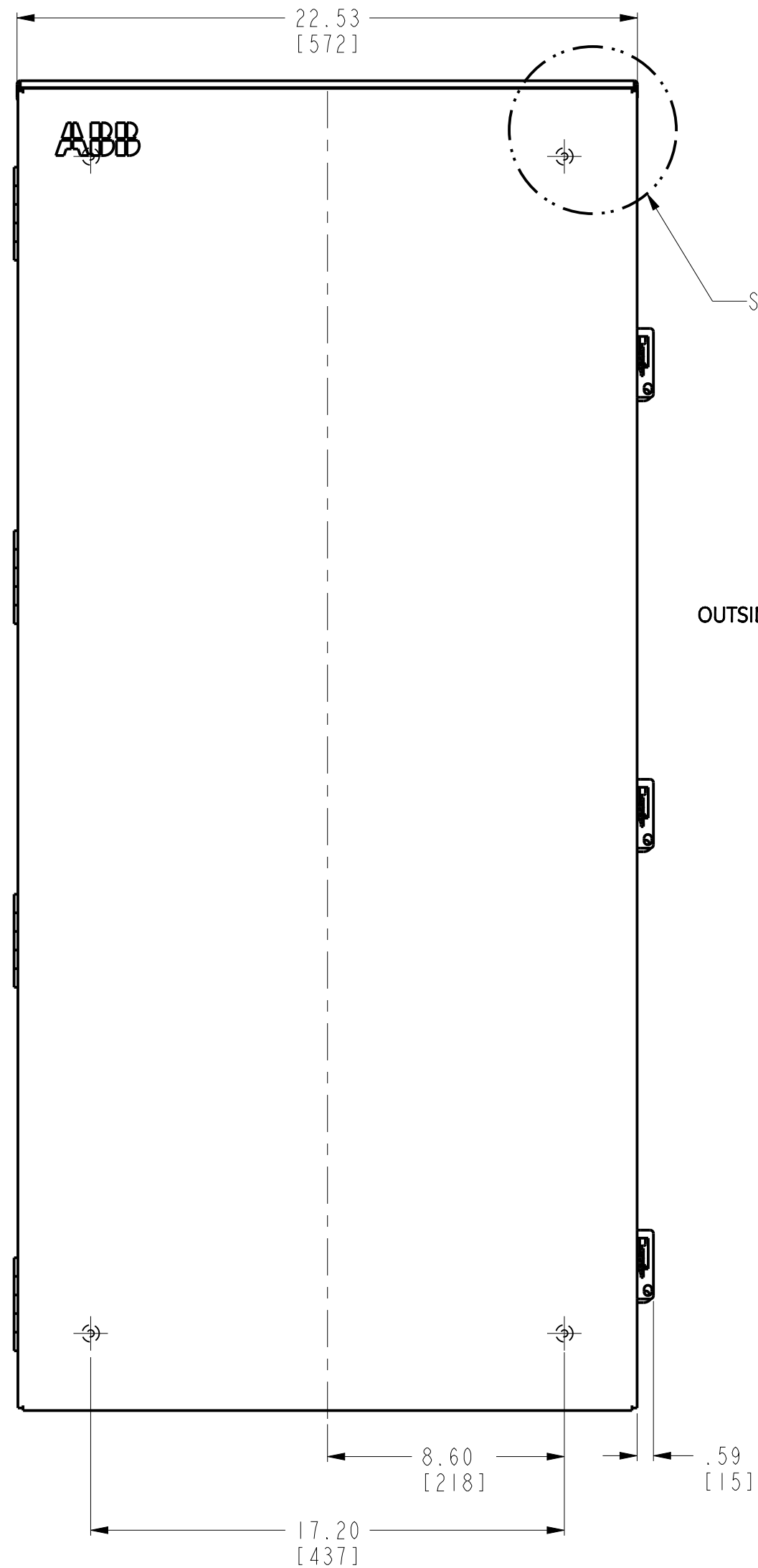
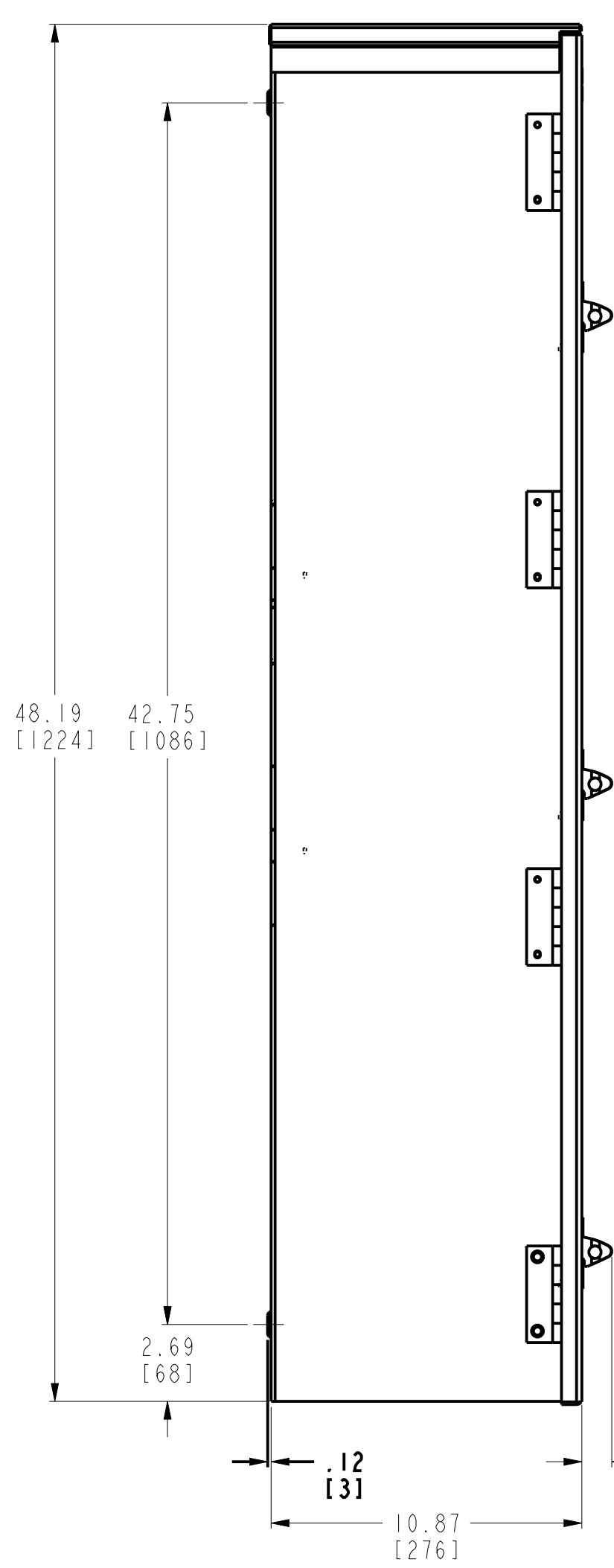
- NOTES:
1. MATERIAL: LOW CARBON STEEL
  2. FINISH: ELECTROCOAT ENAMEL, GRAY
  3. AGENCY APPROVAL: cULus LISTED -FILE E11592
  4. SUITABLE FOR USE AS SERVICE EQUIPMENT WHEN NEUTRAL ASSEMBLY IS INSTALLED
  5. THE SHORT CIRCUIT RATING OF THIS ENCLOSED CIRCUIT BREAKER IS EQUAL TO THE INTERRUPTING RATING, AT THE SUPPLY VOLTAGE MARKED ON THE CIRCUIT BREAKER INSTALLED
  6. FOR ALTERNATE LUGS CONSULT THE BUYLOG

DUAL DIMENSIONS INCHES [MILLIMETERS]

**ABB**

**OUTLINE  
XT7ENCL1200R**

THIRD ANGLE	SHEET#	DWG NO.	DATE	REV
	1 of 1	139C5498SH8	20-Jan-22	2



14

13

12

11

D

D

C

C

B

B

A

A