

MCCB Migration

Tmax T – T2 to Tmax XT – XT1 and XT2

Tmax XT, the next generation of molded case circuit breakers from ABB, is now available. The Tmax XT offers increased capacities for interrupting ratings and voltages as well as application versatility with new trip units, accessory and mounting options; all in a compact and easy to use package. This guide has been created to assist with the migration of the existing Tmax T series of breakers to the new Tmax XT series. For more detailed information, please consult the Tmax XT technical catalog.

Tmax T – T2



Tmax XT – XT1 (thermomagnetic trip units)



Tmax XT – XT2 (electronic trip units)



T2	Frame	XT1	XT2
100A	Amperage	125A	125A
3p & 4p	# of Poles	3p & 4p	3p & 4p
80% all, 100% all	Rating	80% all, 100% to 100A	80% all, 100% to 100A (TM), all (Ele)
35, 65	kA @ 480V AC	22, 35, 65	22, 35, 65, 100, 150, 200
N/A	kA @ 600Y/347V(XT1) or 600V(XT2) AC	18, 22, 25	18, 22, 25, 35, 42
N/A	kA @ 500V DC	35, 50	35, 50, 65, 75, 85
TMF, MCP LS/I, I	Trip Units	TMF, MCS, MCP	TMF/TMA, MCP, MCS, LS/I, LSI, LSIG, I, M-LIU
F, P	Versions	F, P	F, P, W
3.54" x 2.75" x 5.12"	Dimensions (3p F WxDxH)	3" x 2.75" x 5.12"	3.54" x 3.25" x 5.12"

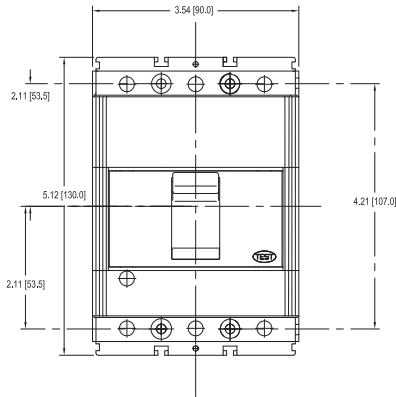
Benefits of XT1 and XT2

- 125A frame capacity allows the migration of other sizes to a smaller frame size
- XT2's trip unit versatility and expanded interrupting ratings allow downsizing to a smaller breaker while maintaining high performance and capabilities
- DC ratings and both 600Y/347 and 600V ratings make Tmax XT more versatile

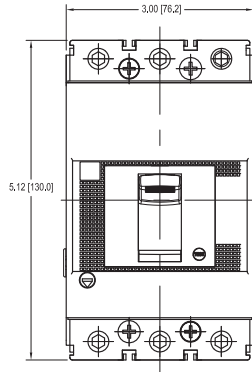
To configure and price a Tmax XT or other ABB circuit breaker, please use the online configurator tool at:
www.abb.us/lowvoltage-configurator

Panel mounting comparison – fixed version, 3p

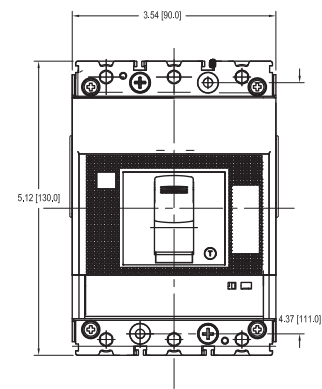
T2 overall dimensions



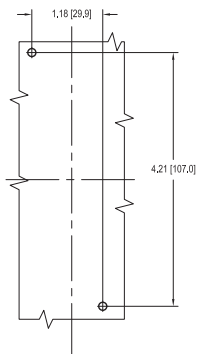
XT1 overall dimensions



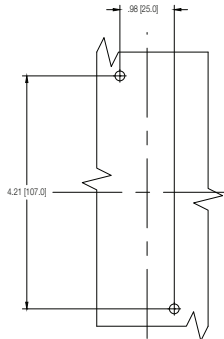
XT2 overall dimensions



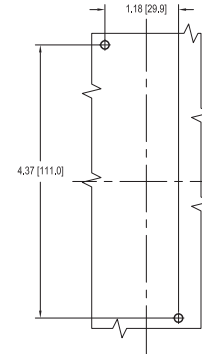
T2 mounting holes



XT1 mounting holes



XT2 mounting holes



Contact us

ABB

Low Voltage Products
8155 T&B Boulevard
Memphis, TN 38125
www.abb.com/lowvoltage

USA Technical Support: 888-385-1221
Customer Service: 888-862-3290
7:00 a.m. to 5:30 p.m., CST, Monday – Friday
lvps.support@us.abb.com

1SXU200091L0201, May 2015