

ACS800

Hardware Manual

ACS800-02 Drives (45 to 560 kW)

ACS800-U2 Drives (60 to 600 HP)



List of related manuals

Drive hardware manuals and guides

Code (English)

*ACS800-02/U2 Hardware manual 45 to 560 kW
(60 to 600 HP)*

[3AFE64567373](#)

Drive firmware manuals and guides

ACS800 Standard Control Program Firmware manual

[3AFE64527592](#)

ACS800 System Control Program Firmware manual

[3AFE64670646](#)

Option manuals and guides

*Manuals and quick guides for I/O extension modules,
fieldbus adapter, etc.*

You can find manuals and other product documents in PDF format on the Internet. See section [Document library on the Internet](#) on the inside of the back cover. For manuals not available in the Document library, contact your local ABB representative.



[ACS800-02/U2 manuals](#)

ACS800-02 Drives
45 to 560 kW
ACS800-U2 Drives
60 to 600 HP

Hardware Manual

3AFE64567373 Rev G EN
EFFECTIVE: 2013-06-17

Safety instructions

What this chapter contains

This chapter contains the safety instructions which you must follow when installing, operating and servicing the drive. If ignored, physical injury or death may follow, or damage may occur to the drive, motor or driven equipment. Read the safety instructions before you work on the unit.

Use of warnings and notes

There are two types of safety instructions throughout this manual: warnings and notes. Warnings caution you about conditions which can result in serious injury or death and/or damage to the equipment. They also tell you how to avoid the danger. Notes draw attention to a particular condition or fact, or give information on a subject. The warning symbols are used as follows:



Dangerous voltage warning warns of high voltage which can cause physical injury and/or damage to the equipment.



General warning warns about conditions, other than those caused by electricity, which can result in physical injury and/or damage to the equipment.



Electrostatic discharge warning warns of electrostatic discharge which can damage the equipment.



Hot surface warning warns of hot surfaces which can cause physical injury.

Installation and maintenance work

These warnings are intended for all who work on the drive, motor cable or motor.



WARNING! Ignoring the following instructions can cause physical injury or death, or damage to the equipment:

- **Only qualified electricians are allowed to install and maintain the drive.**
- Never work on the drive, motor cable or motor when main power is applied. After disconnecting the input power, always wait for 5 min to let the intermediate circuit capacitors discharge before you start working on the drive, motor or motor cable.

Always ensure by measuring with a multimeter (impedance at least 1 Mohm) that:

1. voltage between drive input phases U1, V1 and W1 and the frame is close to 0 V.
 2. voltage between terminals UDC+ and UDC- and the frame is close to 0 V.
- Do not work on the control cables when power is applied to the drive or to the external control circuits. Externally supplied control circuits may cause dangerous voltages inside the drive even when the main power on the drive is switched off.
 - Do not make any insulation or voltage withstand tests on the drive or drive modules.
 - When reconnecting the motor cable, always check that the phase order is correct.

Note:

- The motor cable terminals on the drive are at a dangerously high voltage when the input power is on, regardless of whether the motor is running or not.
- The brake control terminals (UDC+, UDC-, R+ and R- terminals) carry a dangerous DC voltage (over 500 V).
- Depending on the external wiring, dangerous voltages (115 V, 220 V or 230 V) may be present on the terminals of relay outputs RO1 to RO3.
- At installation sites above 2000 m (6562 ft), the terminals of the RMIO board and optional modules attached to the board do not fulfil the Protective Extra Low Voltage (PELV) requirements stated in EN 50178.

Grounding

These instructions are intended for all who are responsible for the grounding of the drive.



WARNING! Ignoring the following instructions can cause physical injury, death, increased electromagnetic interference and equipment malfunction:

- Ground the drive, motor and adjoining equipment to ensure personnel safety in all circumstances, and to reduce electromagnetic emission and interference.
- Make sure that grounding conductors are adequately sized as required by safety regulations.
- In a multiple-drive installation, connect each drive separately to protective earth (PE).
- In first environment: make a 360° high frequency grounding of motor cable entries at the cabinet lead-through.
- Do not install a drive with EMC filter option +E202 on an ungrounded power system or a high-resistance-grounded (over 30 ohms) power system.

Note:

- Power cable shields are suitable for equipment grounding conductors only when adequately sized to meet safety regulations.
 - As the normal leakage current of the drive is higher than 3.5 mA AC or 10 mA DC (stated by EN 50178:1997, 5.2.11.1), a fixed protective earth connection is required.
-

Mechanical installation and maintenance

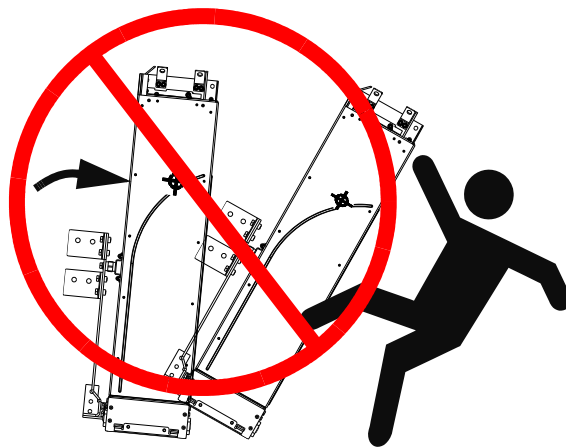
These instructions are intended for all who install and service the drive.



WARNING! Ignoring the following instructions can cause physical injury or death, or damage to the equipment:

- Handle the unit carefully.
- The drive is heavy. Lift the drive by the lifting lugs only. Do not tilt the unit. The unit will overturn from a tilt of about 6 degrees. Use extreme caution when manoeuvring a drive that runs on wheels. **An overturning unit can cause physical injury.**

Do not tilt!



- Beware of hot surfaces. Some parts, such as heatsinks of power semiconductors, remain hot for a while after disconnection of the electrical supply.
- Make sure that dust from borings and grindings does not enter the drive when installing. Electrically conductive dust inside the unit may cause damage or malfunctioning.
- Ensure sufficient cooling.
- Do not fasten the drive by riveting or welding.

Printed circuit boards



WARNING! Ignoring the following instructions can cause damage to the printed circuit boards:

- The printed circuit boards contain components sensitive to electrostatic discharge. Wear a grounding wrist band when handling the boards. Do not touch the boards unnecessarily.
-

Fibre optic cables



WARNING! Ignoring the following instructions can cause equipment malfunction and damage to the fibre optic cables:



- Handle the fibre optic cables with care. When unplugging optic cables, always grab the connector, not the cable itself. Do not touch the ends of the fibres with bare hands as the fibre is extremely sensitive to dirt. The minimum allowed bend radius is 35 mm (1.4 in.).
-

Operation


These warnings are intended for all who plan the operation of the drive or operate the drive.



WARNING! Ignoring the following instructions can cause physical injury or death, or damage to the equipment:

- Before adjusting the drive and putting it into service, make sure that the motor and all driven equipment are suitable for operation throughout the speed range provided by the drive. The drive can be adjusted to operate the motor at speeds above and below the speed provided by connecting the motor directly to the power line.
- Do not activate automatic fault reset functions of the Standard Control Program if dangerous situations can occur. When activated, these functions will reset the drive and resume operation after a fault.
- Do not control the motor with the disconnecting device (disconnecting means); instead, use the control panel keys  and , or commands via the I/O board of the drive. The maximum allowed number of charging cycles of the DC capacitors (i.e. power-ups by applying power) is five in ten minutes.

Note:

- If an external source for start command is selected and it is ON, the drive (with Standard Control Program) will start immediately after fault reset unless the drive is configured for 3-wire (a pulse) start/stop.
 - When the control location is not set to Local (L not shown in the status row of the display), the stop key on the control panel will not stop the drive. To stop the drive using the control panel, press the LOC/REM key and then the stop key .
-

Permanent magnet motor drives

These are additional warnings concerning permanent magnet motor drives.

Installation and maintenance work



WARNING! Obey these instructions. If you ignore them, injury or death and damage to the equipment can occur.

- Do not do work on the drive when the permanent magnet motor is rotating. A rotating permanent magnet motor energizes the drive including its input power terminals.

Before installation, start-up and maintenance work on the drive:

- Stop the motor.
- Disconnect the motor from the drive with a safety switch or by other means.
- If you cannot disconnect the motor, make sure that the motor cannot rotate during work. Make sure that no other system, like hydraulic crawling drives, can rotate the motor directly or through any mechanical connection like felt, nip, rope, etc.
- Measure that the installation is de-energized.
 - Use a multimeter with an impedance of at least 1 Mohm.
 - Make sure that the voltage between the drive output terminals (U2, V2, W2) and the grounding (PE) busbar is close to 0 V.
 - Make sure that the voltage between the drive input power terminals (U1, V1, W1) and the grounding (PE) busbar is close to 0 V.
 - Make sure that the voltage between the drive module UDC+ and UDC- terminals and the grounding (PE) busbar is close to 0 V.
- Install temporary grounding to the drive output terminals (U2, V2, W2). Connect the output terminals together as well as to the PE.
- Make sure that the operator cannot run the motor over the rated speed. Motor overspeed causes overvoltage can damage or explode the capacitors in the intermediate circuit of the drive.

Table of contents

List of related manuals	2
.....	2

Safety instructions

What this chapter contains	5
Use of warnings and notes	5
Installation and maintenance work	6
Grounding	7
Mechanical installation and maintenance	8
Printed circuit boards	9
Fibre optic cables	9
Operation	10
Permanent magnet motor drives	11
Installation and maintenance work	11

Table of contents

About this manual

What this chapter contains	19
Intended audience	19
Categorization according to the frame size	19
Contents	19
Installation and commissioning flowchart	21

The ACS800-02/U2

What this chapter contains	23
The ACS800-02/U2	23
Type code	24
Main circuit and control	25
Diagram	25
Operation	26
Printed circuit boards	26
Motor control	26

Planning the electrical installation

What this chapter contains	27
Checking the compatibility of the motor and drive	27
Protecting the motor insulation and bearings	28
Requirements table	28
ABB motors	28
Non-ABB motors	29

Additional requirements for explosion-safe (EX) motors	30
Additional requirements for ABB motors of types other than M2_, M3_, M4_, HX_ and AM_	30
Additional requirements for the braking applications	30
Additional requirements for ABB high-output and IP23 motors	30
Additional data for calculating the rise time and the peak line-to-line voltage	30
Permanent magnet synchronous motor	31
Supply connection	32
Disconnecting device (disconnecting means)	32
EU	32
US	32
Fuses	32
Main contactor	32
Thermal overload and short-circuit protection	33
Thermal overload protection of the drive and the input and motor cables	33
Thermal overload protection of the motor	33
Protection against short-circuit in the motor cable	33
Protection against short-circuit inside the drive or in the supply cable	34
Ground fault protection	34
Emergency stop devices	34
Power-loss ride-through function	34
Selecting the power cables	35
General rules	35
Alternative power cable types	36
Motor cable shield	36
Additional US requirements	37
Conduit	37
Armored cable / shielded power cable	37
Power factor compensation capacitors	37
Equipment connected to the motor cable	38
Installation of safety switches, contactors, connection boxes, etc.	38
Bypass connection	38
Using a contactor between the drive and the motor	38
Protecting the relay output contacts and attenuating disturbances in case of inductive loads	39
Selecting the control cables	40
Relay cable	40
Control panel cable	40
Connection of a motor temperature sensor to the drive I/O	41
Installation sites above 2000 metres (6562 feet)	41
Routing the cables	41
Control cable ducts	42

Installation

What this chapter contains	43
Moving and unpacking the unit	43
Before installation	45
Delivery check	45
Requirements for the installation site	46
Wall	46

Floor	46
Free space around the unit	46
Cooling air flow	46
IT (ungrounded) systems	47
Required tools	47
Checking the insulation of the installation	47
Drive	47
Input cable	47
Motor and motor cable	47
Braking resistor assembly	48
Power cable connection diagram	49
Installation procedure	50
Choose the mounting orientation (a, b, c)	50
Mounting orientations a and b	50
Mounting orientation c (lifting from above)	58
Routing the control/signal cables inside the cubicle	59
Connecting the control cables	60
Connecting the shield wires at RMIO board	60
Securing the control cables mechanically	60
Settings of the cooling fan transformer	61
Installation of optional modules and PC	61
Cabling of I/O and fieldbus modules	61
Pulse encoder module cabling	62
Fibre optic link	62
Installation of user's own relays	62
Installation of brake resistors	62
Parameter settings	62
Fill-in user connections diagram	63
Wiring diagram template	64

Motor control and I/O board (RMIO)

What this chapter contains	65
Note on terminal labelling	65
Note on external power supply	65
Parameter settings	65
External control connections (non-US)	66
External control connections (US)	67
RMIO board specifications	68
Analogue inputs	68
Constant voltage output	68
Auxiliary power output	68
Analogue outputs	68
Digital inputs	68
Relay outputs	69
DDCS fibre optic link	69
24 V DC power input	69

Installation checklist

Checklist	71
-----------------	----

Maintenance

What this chapter contains	73
Safety	73
Maintenance intervals	73
Layout	74
Heatsink	75
Fan	75
Replacing the fan (R7)	76
Replacing the fan (R8)	77
Capacitors	78
Reforming	78
Replacing the capacitor pack (R7)	78
Replacing the capacitor pack (R8)	79
LEDs	80

Technical data

What this chapter contains	81
IEC data	81
Ratings	81
Symbols	83
Sizing	83
Derating	83
Temperature derating	83
Altitude derating	83
Fuses	84
Calculation example	84
Fuse tables	85
Ultrarapid (aR) fuses	85
gG fuses	86
Quick guide for selecting between gG and aR fuses	88
Cable types	89
Cable entries	90
Dimensions, weights and noise	90
NEMA data	91
Ratings	91
Symbols	92
Sizing	92
Derating	92
Fuses	92
UL class T and L fuses	93
Cable types	94
Cable entries	95
Dimensions, weights and noise	95
Input power connection	96
Motor connection	96
Efficiency	96

Cooling	97
Degrees of protection	97
Ambient conditions	97
Materials	98
Applicable standards	98
CE marking	99
Compliance with the European Low Voltage Directive	99
Compliance with the and EN 61800-3:2004	99
First environment (drive of category C2)	99
Second environment (drive of category C3)	100
Second environment (drive of category C4)	100
Compliance with the European Machinery Directive	100
“C-tick” marking	101
Definitions	101
Compliance with IEC 61800-3:2044	101
First environment (drive of category C2)	101
Second environment (drive of category C3)	102
Second environment (drive of category C4)	102
UL/CSA markings	103
UL	103
Disclaimer	103

Dimensional drawings

Frame size R7	106
Frame size R8	107

Resistor braking

What this chapter contains	109
Operation principle and hardware description	109
How to select the correct drive/chopper/resistor combination	109
Ratings	111
Resistor installation and wiring	113
Protecting the system against thermal overload	114
Brake circuit commissioning	114

Non-ABB du/dt filter selection

What this chapter contains	117
When a du/dt filter must be used	117
Filter and installation requirements	117

RDCO-01/02/03/04 DDCS communication option modules

What this chapter contains	119
Overview	119
Delivery check	120
Module layout	120

Installation120
Installation procedure121
Technical data121

Further information

Product and service inquiries123
Product training123
Providing feedback on ABB Drives manuals123
Document library on the Internet123

About this manual

What this chapter contains

This chapter describes the intended audience and contents of the manual. It contains a flowchart of steps in checking the delivery, installing and commissioning the drive. The flowchart refers to chapters/sections in the manual and other manuals.

Intended audience

This manual is intended for people who plan the installation, install, commission, use and service the drive. Read the manual before working on the drive. The reader is expected to know the fundamentals of electricity, wiring, electrical components and electrical schematic symbols.

This manual is written for readers worldwide. Both SI and imperial units are shown. Special US instructions for installations within the United States that must be installed per the National Electrical Code and local codes are marked with (US).

Categorization according to the frame size

Some instructions, technical data and dimensional drawings which concern only certain frame sizes are marked with the symbol of the frame size R7 or R8. The frame size is not marked on the drive designation label. To identify the frame size of your drive, see the rating tables in chapter [Technical data](#).

Contents

The chapters of this manual are briefly described below.

[Safety instructions](#) give safety instructions for the installation, commissioning, operation and maintenance of the drive.

[About this manual](#) introduces this manual.

The ACS800-02/U2 describes the drive.

Planning the electrical installation instructs on the motor and cable selection, the protections and the cable routing.

Installation instructs how to place, mount and wire the drive.

Motor control and I/O board (RMIO) shows external control connections to the motor control and I/O board and its specifications.

Installation checklist helps in checking the mechanical and electrical installation of the drive.

Maintenance contains preventive maintenance instructions.

Technical data contains the technical specifications of the drive, eg. the ratings, sizes and technical requirements, provisions for fulfilling the requirements for CE and other markings and warranty policy.

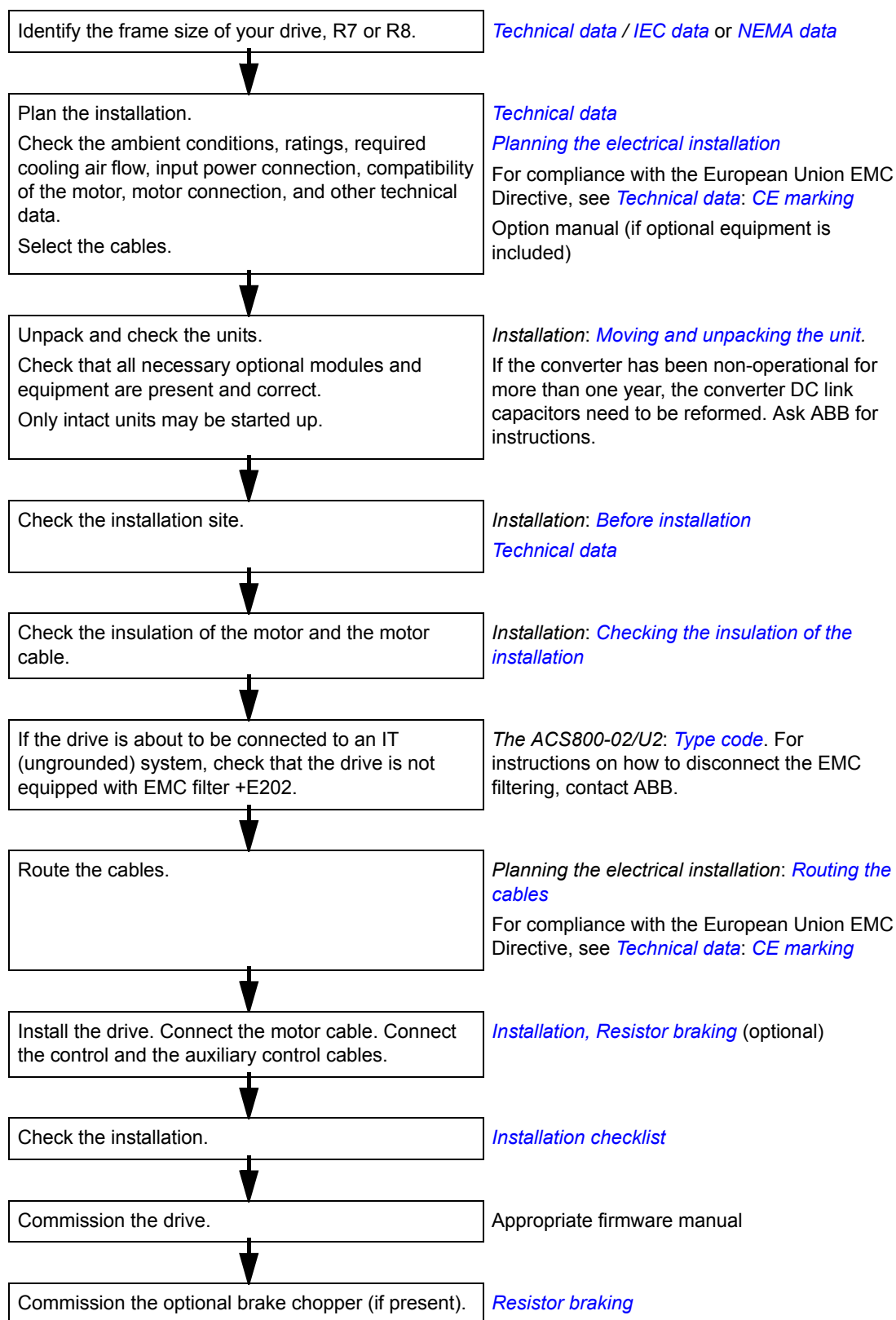
Dimensional drawings contains the dimensional drawings of the drive.

Resistor braking describes how to select, protect and wire optional brake choppers and resistors. The chapter also contains technical data.

Non-ABB du/dt filter selection contains guidelines on selecting and installing a non-ABB du/dt filter with the drive

RDCO-01/02/03/04 DDCS communication option modules contains a description of the RDCO-0x DDCS communication option modules connections and the technical specifications of the RDCO-0x modules.

Installation and commissioning flowchart



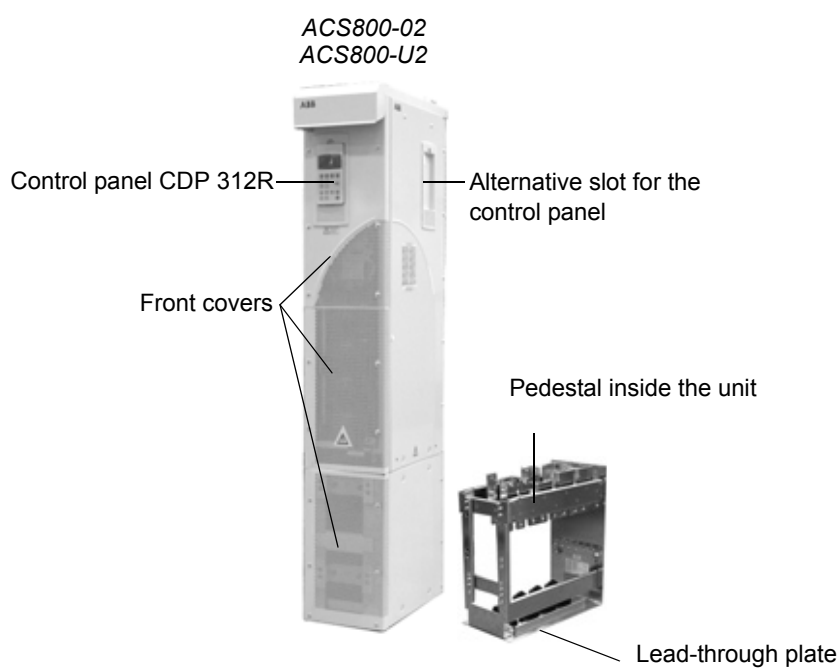
The ACS800-02/U2

What this chapter contains

This chapter describes the construction and operating principle of the drive in short.

The ACS800-02/U2

The ACS800-02 is a free-standing drive for controlling AC motors. In the basic unit, the cabling direction is from below. The ACS800-U2 is a US version of the drive.



Type code

The type code contains information on the specifications and configuration of the drive. The first digits from left express the basic configuration (eg. ACS800-02-0170-5). The optional selections are given thereafter, separated by plus signs (eg. +E202). The main selections are described below. Not all selections are available for all types. For more information, refer to *ACS800 Ordering Information* (EN code: 64556568, available on request).

Type code selections for the ACS800-02		
Selection	Alternatives	
Product series	ACS800 product series	
Type	02	free standing. When no options are selected: 6-pulse diode input bridge, IP21, Control Panel CDP 312R, no EMC filter, Standard Control Program, cabling from below, boards without coating, one set of manuals.
Size	Refer to <i>Technical data: IEC data</i> or <i>NEMA data</i>	
Voltage range (nominal rating in bold)	2	208/220/ 230 /240 V AC
	3	380/ 400 /415 V AC
	5	380/400/415/440/460/480/ 500 V AC
	7	525/575/600/ 690 V AC
+ options		
Resistor braking	D150	brake chopper
Filter	E202	EMC/RFI filter for first environment TN (grounded) system, restricted (the A limits)
	E210	EMC/RFI filter for second environment TN/IT (grounded/ungrounded) system
	E208	common mode filter
Cabling	H358	US/UK gland/conduit plate
Control panel	0J400	no control panel, LEDs on the panel mounting platform included
I/O	L...	Refer to <i>ACS800 Ordering Information</i> (EN code: 3AFY64556568).
Fieldbus	K...	Refer to <i>ACS800 Ordering Information</i> (EN code: 3AFY64556568).
Control program	N...	
Language of manual	R...	
Specialities	P901	coated boards
	P904	extended warranty

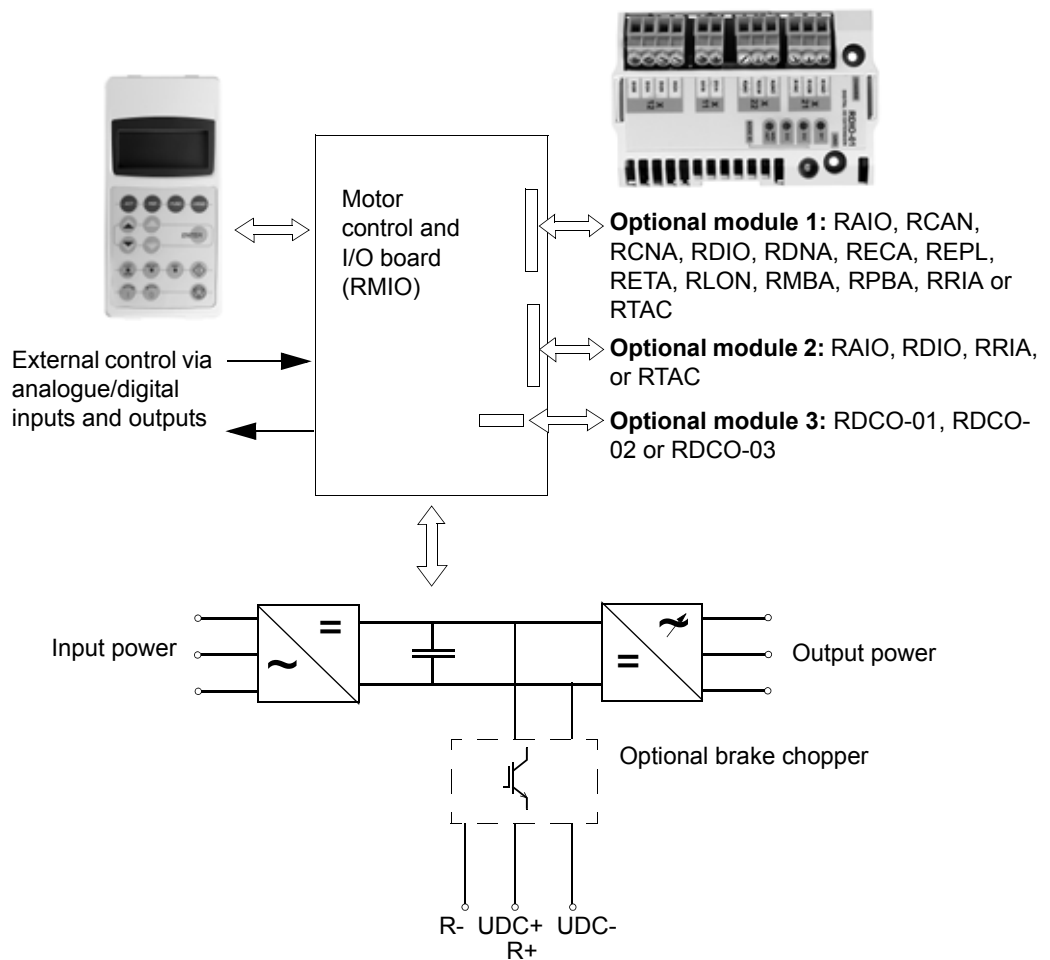
Type code selections for the ACS800-U2		
Selection	Alternatives	
Product series	ACS800 product series	
Type	U2	free standing (USA). When no options are selected: 6-pulse diode bridge, UL type 1, Control Panel CDP 312R, no EMC filter, US version of the Standard Control Program (three-wire start/stop as default setting), US gland/conduit plate, common mode filter in frame size R8, cabling from below, boards without coating, one set of manuals.
Size	Refer to <i>Technical data: NEMA data</i> .	
Voltage range (nominal rating in bold)	2	208/220/ 230 /240 V AC
	5	380/400/415/440/ 460 /480 V AC
	7	525/ 575 /600 V AC
+ options		
Resistor braking	D150	brake chopper

Type code selections for the ACS800-U2	
Selection	Alternatives
Filter	E202 EMC/RFI filter for first environment TN (grounded) system, restricted (the A limits)
	E210 EMC/RFI filter for second environment TN/IT (grounded/ungrounded) system
	E208 common mode filter for frame size R7
Cabling	H357 European lead-through plate
Control panel	0J400 no control panel, LEDs on the panel mounting platform included
I/O	L... Refer to <i>ACS800 Ordering Information</i> (EN code: 64556568).
Fieldbus	K... Refer to <i>ACS800 Ordering Information</i> (EN code: 64556568).
Control program	N...
Language of manual	R...
Specialities	P901 coated boards
	P904 extended warranty

Main circuit and control

Diagram

This diagram shows the control interfaces and the main circuit of the drive.



Operation

This table describes the operation of the main circuit in short.

Component	Description
six-pulse rectifier	converts the three-phase AC voltage to DC voltage
capacitor bank	energy storage which stabilizes the intermediate circuit DC voltage
six-pulse IGBT inverter	converts the DC voltage to AC voltage and vice versa. The motor operation is controlled by switching the IGBTs.

Printed circuit boards

The drive contains the following printed circuit boards as standard:

- main circuit board (AINT)
- motor control and I/O board (RMIO-12) with a fibre optic link to the AINT board
- input bridge control board (AINP)
- input bridge protection board (AIBP) which includes varistors, snubbers for the thyristors
- power supply board (APOW)
- gate driver control board (AGDR)
- diagnostics and panel interface board (ADPI)
- brake chopper control board (ABRC) with option +D150

Motor control

The motor control is based on the Direct Torque Control (DTC) method. Two phase currents and DC link voltage are measured and used for the control. The third phase current is measured for earth fault protection.

Planning the electrical installation

What this chapter contains

This chapter contains instructions for planning the electrical installation of the drive. Some instructions are mandatory to follow in every installation, others provide useful information that only concerns certain applications.

Note: The installation must always be designed and made according to applicable local laws and regulations. ABB does not assume any liability whatsoever for any installation which breaches the local laws and/or other regulations. Furthermore, if the recommendations given by ABB are not followed, the drive may experience problems that the warranty does not cover.

Checking the compatibility of the motor and drive

Use an asynchronous AC induction motor, permanent magnet synchronous motor or AC induction servomotor with the drive. Several induction motors can be connected to the drive at a time.

Select the motor size and drive type from the rating tables in chapter Technical data on basis of the AC line voltage and motor load. Use the DriveSize PC tool if you need to tune the selection more in detail.

Make sure that the motor withstands the maximum peak voltage in the motor terminals. See the [Requirements table](#) below. For basics of protecting the motor insulation and bearings in drive systems, refer to section Protecting the motor insulation and bearings below.

Note:

- Consult the motor manufacturer before using a motor which nominal voltage differs from the AC line voltage connected to the drive input.
- The voltage peaks at the motor terminals are relative to the supply voltage of the drive, not the drive output voltage.
- If the motor and drive are not of the same size, consider the following operation limits of the drive control program:
- motor nominal voltage range $1/6 \dots 2 \cdot U_N$
- motor nominal current range $1/6 \dots 2 \cdot I_N$ of the drive in DTC control and $0 \dots 2 \cdot I_N$ in scalar control. The control mode is selected by a drive parameter.

Protecting the motor insulation and bearings

The drive employs modern IGBT inverter technology. Regardless of frequency, the drive output comprises pulses of approximately the drive DC bus voltage with a very short rise time. The pulse voltage can almost double at the motor terminals, depending on the attenuation and reflection properties of the motor cable and the terminals. This can cause additional stress on the motor and motor cable insulation.

Modern variable speed drives with their fast rising voltage pulses and high switching frequencies can generate current pulses that flow through the motor bearings. This can gradually erode the bearing races and rolling elements.

Optional du/dt filters protect motor insulation system and reduce bearing currents. Optional common mode filters mainly reduce bearing currents. Insulated N-end (non-drive end) bearings protect the motor bearings.

Requirements table

The following table shows how to select the motor insulation system and when an optional drive du/dt and common mode filters and insulated N-end (non-drive end) motor bearings are required. Ignoring the requirements or improper installation may shorten motor life or damage the motor bearings and voids the warranty.

ABB motors

Manufacturer	Motor type	Nominal mains voltage (AC line voltage)	Requirement for			
			Motor insulation system	ABB du/dt filter, insulated N-end bearing and ABB common mode filter		
				$P_N < 100 \text{ kW}$ and frame size < IEC 315	$100 \text{ kW} \leq P_N < 350 \text{ kW}$ or frame size \geq IEC 315	$P_N \geq 350 \text{ kW}$ or frame size \geq IEC 400
				$P_N < 134 \text{ hp}$ and frame size < NEMA 500	$134 \text{ hp} \leq P_N < 469 \text{ hp}$ or frame size \geq NEMA 500	$P_N \geq 469 \text{ hp}$ or frame size > NEMA 580
A B B	Random-wound M2_ and M3_ and M4_	$U_N \leq 500 \text{ V}$	Standard	-	+ N	+ N + CMF
		$500 \text{ V} < U_N \leq 600 \text{ V}$	Standard	+ du/dt	+ du/dt + N	+ du/dt + N + CMF
			or Reinforced	-	+ N	+ N + CMF
		$600 \text{ V} < U_N \leq 690 \text{ V}$ (cable length \leq 150 m)	Reinforced	+ du/dt	+ du/dt + N	+ du/dt + N + CMF
		$600 \text{ V} < U_N \leq 690 \text{ V}$ (cable length > 150 m)	Reinforced		+ N	+ N + CMF
	Form-wound HX_ and AM_	$380 \text{ V} < U_N \leq 690 \text{ V}$	Standard	n.a.	+ N + CMF	$P_N < 500 \text{ kW}$: + N + CMF
						$P_N \geq 500 \text{ kW}$: + N + CMF + du/dt
Old* form-wound HX_ and modular	$380 \text{ V} < U_N \leq 690 \text{ V}$	Check with the motor manufacturer.	+ du/dt with voltages over 500 V + N + CMF			
Random-wound HX_ and AM_**	$0 \text{ V} < U_N \leq 500 \text{ V}$	Enamelled wire with fibre glass taping	+ N + CMF			
	$500 \text{ V} < U_N \leq 690 \text{ V}$		+ du/dt + N + CMF			

Non-ABB motors

Manufacturer	Motor type	Nominal mains voltage (AC line voltage)	Requirement for				
			Motor insulation system	ABB du/dt filter, insulated N-end bearing and ABB common mode filter			
				$P_N < 100 \text{ kW}$ and frame size < IEC 315	$100 \text{ kW} \leq P_N < 350 \text{ kW}$ or frame size \geq IEC 315	$P_N \geq 350 \text{ kW}$ or frame size \geq IEC 400	
			$P_N < 134 \text{ hp}$ and frame size < NEMA 500	$134 \text{ hp} \leq P_N < 469 \text{ hp}$ or frame size \geq NEMA 500	$P_N \geq 469 \text{ hp}$ or frame size > NEMA 580		
NON-ABB	Random-wound and form-wound	$U_N \leq 420 \text{ V}$	Standard: $\hat{U}_{LL} = 1300 \text{ V}$	-	+ N or CMF	+ N + CMF	
		$420 \text{ V} < U_N \leq 500 \text{ V}$	Standard: $\hat{U}_{LL} = 1300 \text{ V}$	+ du/dt	+ du/dt + N	+ du/dt + N + CMF	
				or	+ du/dt + CMF		
				or			
		$500 \text{ V} < U_N \leq 600 \text{ V}$	Reinforced: $\hat{U}_{LL} = 1600 \text{ V}$, 0.2 microsecond rise time	-	+ N or CMF	+ N + CMF	
				Reinforced: $\hat{U}_{LL} = 1600 \text{ V}$	+ du/dt	+ du/dt + N	+ du/dt + N + CMF
					or	+ du/dt + CMF	
		$600 \text{ V} < U_N \leq 690 \text{ V}$	Reinforced: $\hat{U}_{LL} = 1800 \text{ V}$	-	+ N or CMF	+ N + CMF	
				Reinforced: $\hat{U}_{LL} = 1800 \text{ V}$	+ du/dt	+ du/dt + N	+ du/dt + N + CMF
					Reinforced: $\hat{U}_{LL} = 2000 \text{ V}$, 0.3 microsecond rise time ***	-	N + CMF

* manufactured before 1.1.1998

** For motors manufactured before 1.1.1998, check for additional instructions with the motor manufacturer.

*** If the intermediate DC circuit voltage of the drive is increased from the nominal level by resistor braking or by the IGBT Supply Control Program (parameter selectable function), check with the motor manufacturer if additional output filters are needed in the applied drive operation range.

The abbreviations used in the table are defined below.

Abbreviation	Definition
U_N	nominal voltage of the supply network
\hat{U}_{LL}	peak line-to-line voltage at motor terminals which the motor insulation must withstand
P_N	motor nominal power
du/dt	du/dt filter at the output of the drive (option +E205)
CMF	common mode filter (option +E208)
N	N-end bearing: insulated motor non-drive end bearing
n.a.	Motors of this power range are not available as standard units. Consult the motor manufacturer.

Additional requirements for explosion-safe (EX) motors

If you will use an explosion-safe (EX) motor, follow the rules in the requirements table above. In addition, consult the motor manufacturer for any further requirements.

Additional requirements for ABB motors of types other than M2_, M3_, M4_, HX_ and AM_

Use the selection criteria given for non-ABB motors.

Additional requirements for the braking applications

When the motor brakes the machinery, the intermediate circuit DC voltage of the drive increases, the effect being similar to increasing the motor supply voltage by up to 20 percent. Consider this voltage increase when specifying the motor insulation requirements if the motor will be braking a large part of its operation time.

Example: Motor insulation requirement for a 400 V AC line voltage application must be selected as if the drive were supplied with 480 V.

Additional requirements for ABB high-output and IP23 motors

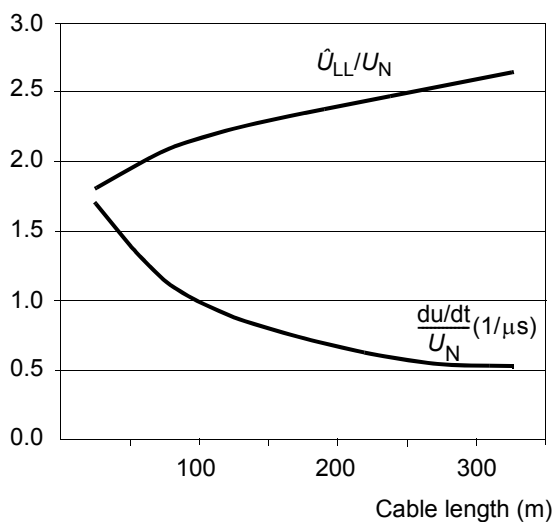
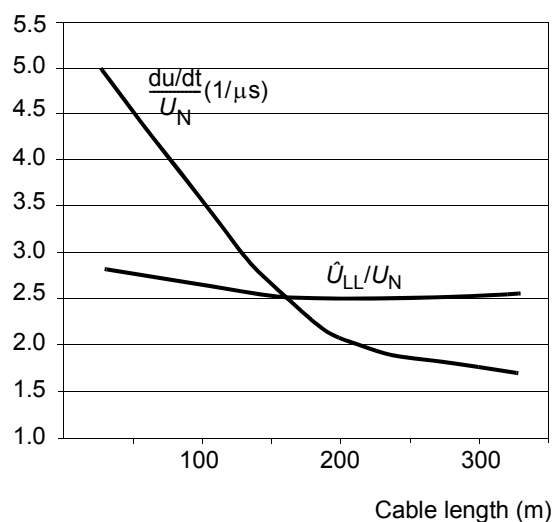
The rated output power of high output motors is higher than what is stated for the particular frame size in EN 50347 (2001). This table shows the requirements for ABB random-wound motor series (for example, M3AA, M3AP and M3BP).

Nominal mains voltage (AC line voltage)	Requirement for			
	Motor insulation system	ABB du/dt and common mode filters, insulated N-end motor bearings		
		$P_N < 100 \text{ kW}$ $P_N < 140 \text{ hp}$	$100 \text{ kW} \leq P_N < 200 \text{ kW}$ $140 \text{ hp} \leq P_N < 268 \text{ hp}$	$P_N \geq 200 \text{ kW}$ $P_N \geq 268 \text{ hp}$
$U_N \leq 500 \text{ V}$	Standard	-	+ N	+ N + CMF
$500 \text{ V} < U_N \leq 600 \text{ V}$	Standard	+ du/dt	+ du/dt + N	+ du/dt + N + CMF
	or Reinforced	-	+ N	+ N + CMF
$600 \text{ V} < U_N \leq 690 \text{ V}$	Reinforced	+ du/dt	+ du/dt + N	+ du/dt + N + CMF

Additional data for calculating the rise time and the peak line-to-line voltage

If you need to calculate the actual peak voltage and voltage rise time considering the actual cable length, proceed as follows:

- Peak line-to-line voltage: Read the relative \hat{U}_{LL}/U_N value from the appropriate diagram below and multiply it by the nominal supply voltage (U_N).
- Voltage rise time: Read the relative values \hat{U}_{LL}/U_N and $(du/dt)/U_N$ from the appropriate diagram below. Multiply the values by the nominal supply voltage (U_N) and substitute into equation $t = 0.8 \cdot \hat{U}_{LL}/(du/dt)$.

With du/dt FilterWithout du/dt Filter

Permanent magnet synchronous motor

Only one permanent magnet motor can be connected to the inverter output.

It is recommended to install a safety switch between the permanent magnet synchronous motor and the drive output. The switch is needed to isolate the motor during any maintenance work on the drive.

Supply connection

Disconnecting device (disconnecting means)

Install a hand-operated input disconnecting device (disconnecting means) between the AC power source and the drive. The disconnecting device must be of a type that can be locked to the open position for installation and maintenance work.

EU

To meet the European Union Directives, according to standard EN 60204-1, Safety of Machinery, the disconnecting device must be one of the following types:

- switch-disconnector of utilization category AC-23B (EN 60947-3)
- disconnector that has an auxiliary contact that in all cases causes switching devices to break the load circuit before the opening of the main contacts of the disconnector (EN 60947-3)
- circuit breaker suitable for isolation in accordance with EN 60947-2.

US

The disconnecting means must conform to the applicable safety regulations.

Fuses

See section [Thermal overload and short-circuit protection](#).

Main contactor

If used, dimension the contactor according to the nominal voltage and current of the drive. The utilization category (IEC 947-4) is AC-1.

Thermal overload and short-circuit protection

Thermal overload protection of the drive and the input and motor cables

The drive protects itself and the input and motor cables against thermal overload when the cables are dimensioned according to the nominal current of the drive. No additional thermal protection devices are needed.



WARNING! If the drive is connected to multiple motors, a separate thermal overload switch or a circuit breaker must be used for protecting each cable and motor. These devices may require a separate fuse to cut off the short-circuit current.

Thermal overload protection of the motor

According to regulations, the motor must be protected against thermal overload and the current must be switched off when overload is detected. The drive includes a motor thermal protection function that protects the motor and switches off the current when necessary. Depending on a drive parameter value, the function either monitors a calculated temperature value (based on a motor thermal model) or an actual temperature indication given by motor temperature sensors. The user can tune the thermal model further by feeding in additional motor and load data.

The most common temperature sensors are:

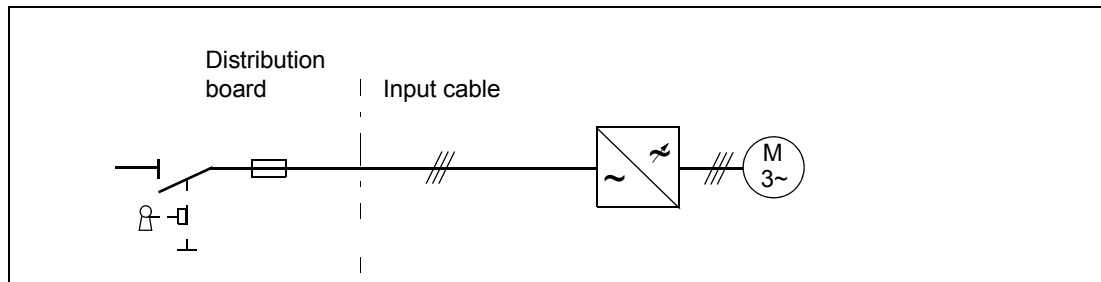
- motor sizes IEC180...225: thermal switch (e.g. Klixon)
- motor sizes IEC200...250 and larger: PTC or Pt100.

See the firmware manual for more information on the motor thermal protection, and the connection and use of the temperature sensors.

Protection against short-circuit in the motor cable

The drive protects the motor cable and motor in a short-circuit situation when the motor cable is dimensioned according to the nominal current of the drive. No additional protection devices are needed.

Protection against short-circuit inside the drive or in the supply cable



Protect the drive and input cable with fuses. Size the fuses according to instructions given in chapter *Technical data*. The fuses will protect the input cable in short-circuit situations, restrict drive damage and prevent damage to adjoining equipment in case of a short-circuit inside the drive.

Note: Circuit breakers must not be used without fuses.

Ground fault protection

The drive is equipped with an internal ground fault protective function to protect the unit against ground faults in the motor and motor cable. This is not a personal safety or a fire protection feature. The ground fault protective function can be disabled with a parameter, refer to the appropriate *ACS800 Firmware Manual*.

The EMC filter of the drive includes capacitors connected between the main circuit and the frame. These capacitors and long motor cables increase the ground leakage current and may cause fault current circuit breakers to function.

Emergency stop devices

For safety reasons, install the emergency stop devices at each operator control station and at other operating stations where emergency stop may be needed.

Note: Pressing the stop key (⏏) on the control panel of the drive does not generate an emergency stop of the motor or separate the drive from dangerous potential.

Power-loss ride-through function

The power-loss ride-through function is activated when parameter 20.06 UNDERVOLTAGE CTRL is set to ON (default in Standard Control Program).

Selecting the power cables

General rules

Dimension the mains (input power) and motor cables **according to local regulations**:

- The cable must be able to carry the drive load current. See chapter *Technical data* for the rated currents.
- The cable must be rated for at least 70 °C maximum permissible temperature of conductor in continuous use. For US, see [Additional US requirements](#).
- The inductance and impedance of the PE conductor/cable (grounding wire) must be rated according to permissible touch voltage appearing under fault conditions (so that the fault point voltage will not rise excessively when a ground fault occurs).
- 600 V AC cable is accepted for up to 500 V AC. 750 V AC cable is accepted for up to 600 V AC. For 690 V AC rated equipment, the rated voltage between the conductors of the cable should be at least 1 kV.

A symmetrical shielded motor cable must be used (figure below). The shield(s) of motor cable(s) must have 360° bonding at both ends.

Note: When continuous metal conduit is employed, shielded cable is not required. The conduit must have bonding at both ends as with cable shield.

A four-conductor system is allowed for input cabling, but shielded symmetrical cable is recommended. To operate as a protective conductor, the shield conductivity must be as follows when the protective conductor is made of the same metal as the phase conductors:

Cross-sectional area of the phase conductors S (mm²)	Minimum cross-sectional area of the corresponding protective conductor S_p (mm²)
$S \leq 16$	S
$16 < S \leq 35$	16
$35 < S$	S/2

Compared to a four-conductor system, the use of symmetrical shielded cable reduces electromagnetic emission of the whole drive system as well as the stress on motor insulation, bearing currents and wear.

The motor cable and its PE pigtail (twisted shield) should be kept as short as possible in order to reduce high-frequency electromagnetic emission, as well as stray currents outside the cable and capacitive current (relevant in power range below 20 kW).

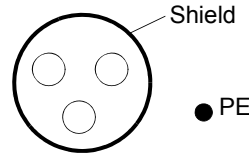
Alternative power cable types

Power cable types that can be used with the drive are represented below.

Recommended

Symmetrical shielded cable: three phase conductors and a concentric or otherwise symmetrically constructed PE conductor, and a shield

A separate PE conductor is required if the conductivity of the cable shield is < 50% of the conductivity of the phase conductor.



A four-conductor system: three phase conductors and a protective conductor

Not allowed for motor cables

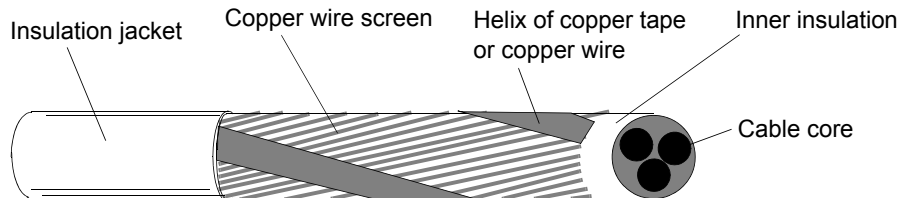
Not allowed for motor cables with phase conductor cross section larger than 10 mm² [motors > 30 kW (40 HP)].

The following power cable type is not allowed.

Symmetrical shielded cable with individual shields for each phase conductor is not allowed on any cable size for input and motor cabling.

Motor cable shield

To effectively suppress radiated and conducted radio-frequency emissions, the shield conductivity must be at least 1/10 of the phase conductor conductivity. The requirements are easily met with a copper or aluminium shield. The minimum requirement of the motor cable shield of the drive is shown below. It consists of a concentric layer of copper wires with an open helix of copper tape or copper wire. The better and tighter the shield, the lower the emission level and bearing currents.



Additional US requirements

Type MC continuous corrugated aluminum armor cable with symmetrical grounds or shielded power cable must be used for the motor cables if metallic conduit is not used. For the North American market, 600 V AC cable is accepted for up to 500 V AC. 1000 V AC cable is required above 500 V AC (below 600 V AC). For drives rated over 100 amperes, the power cables must be rated for 75 °C (167 °F).

Conduit

Separate parts of a conduit must be coupled together, bridge the joints with a ground conductor bonded to the conduit on each side of the joint. Bond the conduits also to the drive enclosure and motor frame. Use separate conduits for input power, motor, brake resistor, and control wiring. When conduit is employed, type MC continuous corrugated aluminium armor cable or shielded cable is not required. A dedicated ground cable is always required.

Note: Do not run motor wiring from more than one drive in the same conduit.

Armored cable / shielded power cable

Six conductor (3 phases and 3 ground) type MC continuous corrugated aluminum armor cable with symmetrical grounds is available from the following suppliers (trade names in parentheses):

- Anixter Wire & Cable (Philsheath)
- BICC General Corp (Philsheath)
- Rockbestos Co. (Gardex)
- Oaknite (CLX).

Shielded power cables are available from Belden, LAPPKABEL (ÖLFLEX) and Pirelli.

Power factor compensation capacitors

Power factor compensation is not needed with AC drives. However, if a drive is to be connected in a system with compensation capacitors installed, note the following restrictions.



WARNING! Do not connect power factor compensation capacitors or harmonic filters to the motor cables (between the drive and the motor). They are not meant to be used with AC drives and can cause permanent damage to the drive or themselves.

If there are power factor compensation capacitors in parallel with the three phase input of the drive:

1. Do not connect a high-power capacitor to the power line while the drive is connected. The connection will cause voltage transients that may trip or even damage the drive.
2. If capacitor load is increased/decreased step by step when the AC drive is connected to the power line: Ensure that the connection steps are low enough not to cause voltage transients that would trip the drive.
3. Check that the power factor compensation unit is suitable for use in systems with AC drives i.e. harmonic generating loads. In such systems, the compensation unit should typically be equipped with a blocking reactor or harmonic filter.

Equipment connected to the motor cable

Installation of safety switches, contactors, connection boxes, etc.

To minimize the emission level when safety switches, contactors, connection boxes or similar equipment are installed in the motor cable between the drive and the motor:

- EU: Install the equipment in a metal enclosure with 360 degrees grounding for the shields of both the incoming and outgoing cable, or connect the shields of the cables otherwise together.
- US: Install the equipment in a metal enclosure in a way that the conduit or motor cable shielding runs consistently without breaks from the drive to the motor.

Bypass connection



WARNING! Never connect the supply power to the drive output terminals U2, V2 and W2. If frequent bypassing is required, employ mechanically connected switches or contactors. Mains (line) voltage applied to the output can result in permanent damage to the unit.

Using a contactor between the drive and the motor

Implementing the control of the output contactor depends on how you select the drive to operate.

When you have selected to use DTC motor control mode and motor ramp stop, open the contactor as follows:

- Give a stop command to the drive.
- Wait until the drive decelerates the motor to zero speed.
- Open the contactor.

When you have selected to use DTC motor control mode and motor coast stop, or scalar control mode, open the contactor as follows:

- Give a stop command to the drive

- Open the contactor.



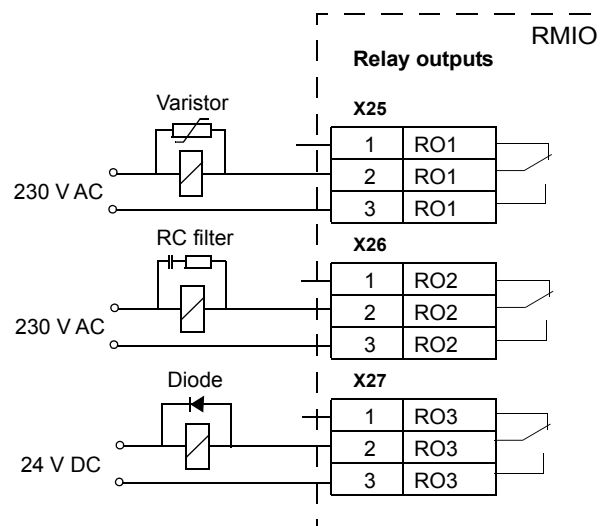
WARNING! When the DTC motor control mode is in use, never open the output contactor while the drive controls the motor. The DTC motor control operates extremely fast, much faster than it takes for the contactor to open its contacts. When the contactor starts opening while the drive controls the motor, the DTC control will try to maintain the load current by immediately increasing the drive output voltage to the maximum. This will damage, or even burn the contactor completely.

Protecting the relay output contacts and attenuating disturbances in case of inductive loads

Inductive loads (relays, contactors, motors) cause voltage transients when switched off.

The relay contacts on the RMIO board are protected with varistors (250 V) against overvoltage peaks. In spite of this, it is highly recommended to equip inductive loads with noise attenuating circuits [varistors, RC filters (AC) or diodes (DC)] in order to minimize the EMC emission at switch-off. If not suppressed, the disturbances may connect capacitively or inductively to other conductors in the control cable and form a risk of malfunction in other parts of the system.

Install the protective component as close to the inductive load as possible. Do not install protective components at the RMIO board terminal block.



Connection of a motor temperature sensor to the drive I/O



WARNING! IEC 60664 requires double or reinforced insulation between live parts and the surface of accessible parts of electrical equipment which are either non-conductive or conductive but not connected to the protective earth.

To fulfil this requirement, the connection of a thermistor (and other similar components) to the digital inputs of the drive can be implemented in three alternate ways:

1. There is double or reinforced insulation between the thermistor and live parts of the motor.
 2. Circuits connected to all digital and analogue inputs of the drive are protected against contact and insulated with basic insulation (the same voltage level as the drive main circuit) from other low voltage circuits.
 3. An external thermistor relay is used. The insulation of the relay must be rated for the same voltage level as the main circuit of the drive. For connection, see *ACS800 Firmware Manual*.
-

Installation sites above 2000 metres (6562 feet)



WARNING! Protect against direct contact when installing, operating and servicing the RMIO board wiring and optional modules attached to the board. The Protective Extra Low Voltage (PELV) requirements stated in EN 50178:1997 are not fulfilled at altitudes above 2000 m (6562 ft).

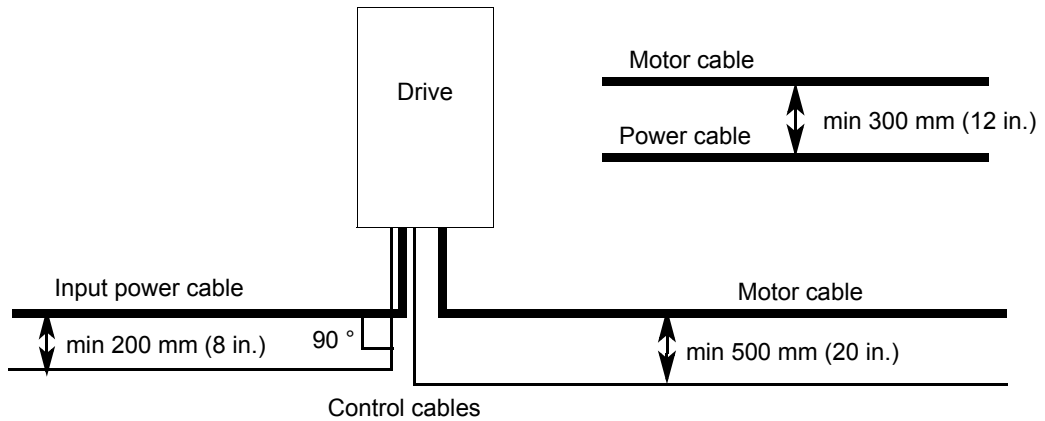
Routing the cables

Route the motor cable away from other cable routes. Motor cables of several drives can be run in parallel installed next to each other. It is recommended that the motor cable, input power cable and control cables be installed on separate trays. Avoid long parallel runs of motor cables with other cables in order to decrease electromagnetic interference caused by the rapid changes in the drive output voltage.

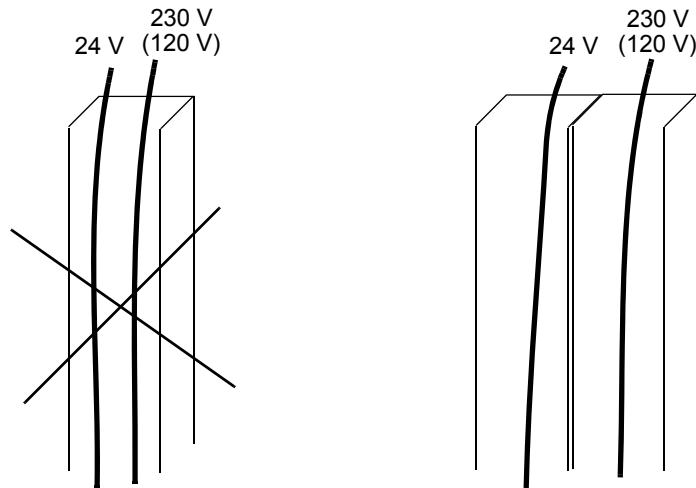
Where control cables must cross power cables make sure they are arranged at an angle as near to 90 degrees as possible. Do not run extra cables through the drive.

The cable trays must have good electrical bonding to each other and to the grounding electrodes. Aluminium tray systems can be used to improve local equalizing of potential.

A diagram of the cable routing is shown below.



Control cable ducts



Not allowed unless the 24 V cable is insulated for 230 V (120 V) or insulated with an insulation sleeving for 230 V (120 V).

Lead 24 V and 230 V (120 V) control cables in separate ducts inside the cabinet.

Installation

What this chapter contains

This chapter describes the mechanical and electrical installation procedure of the drive.



WARNING! Only qualified electricians are allowed to carry out the work described in this chapter. Follow the *Safety instructions* on the first pages of this manual. Ignoring the safety instructions can cause injury or death.

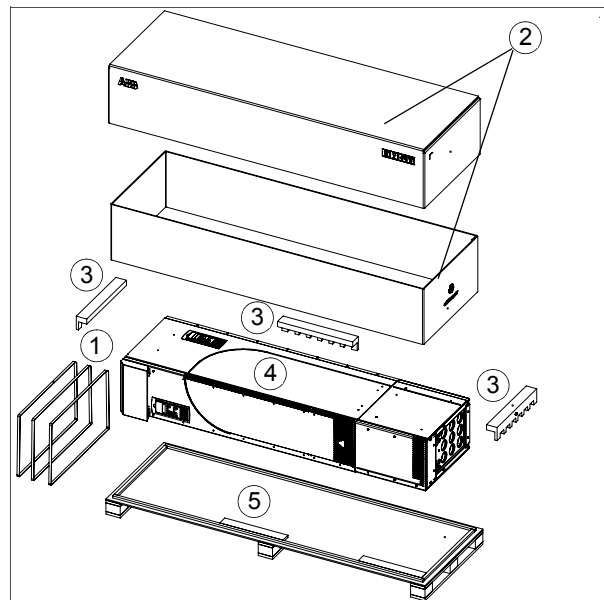
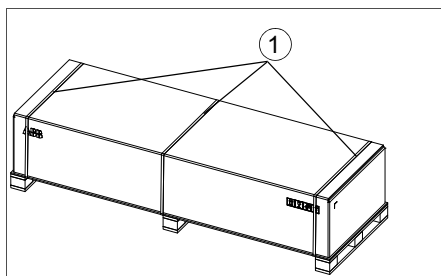
Moving and unpacking the unit

The drive is delivered in a cardboard box. Move the transport package by pallet truck to the installation site.

Unpack the package as follows:

1. Cut the straps.
2. Remove the outer box and sleeve by lifting them.

Note: Before lifting the unit, remove the lead-through plate from the pedestal. Also remove other accessories from the pallet.



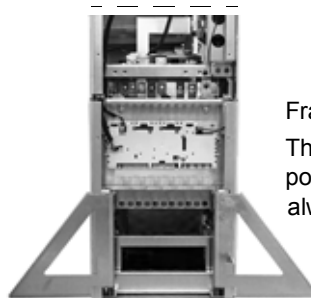
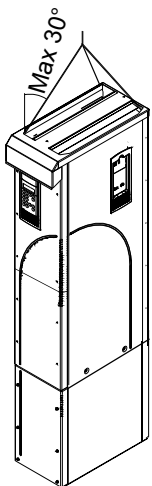
	Description of the package contents
1	Strap
2	Outer box and sleeve
3	PP cushion
4	ACS800-02 R8
5	Pallet



WARNING! The drive is heavy [frame size R7: 110 kg (220 lb), frame size R8: 240 kg (507 lb)]. Lift the drive by the upper part only using the lifting lugs attached to the top of the unit. The lower part will be deformed from lifting. Do not remove the pedestal before lifting.

Do not tilt the drive. The centre of gravity of the unit is high. The unit will overturn from a tilt of about 6 degrees.

Do not wheel the drive except for installation (the front direction is preferable because the front wheels are steadier). The drive frame may be deformed from wheeling when the pedestal is removed. If the drive is moved over long distances, place it on its back on a pallet and move it by fork-lift.



Frame size R8:
The support legs must be locked to open position during the installation and always when wheeling the unit.

Before installation

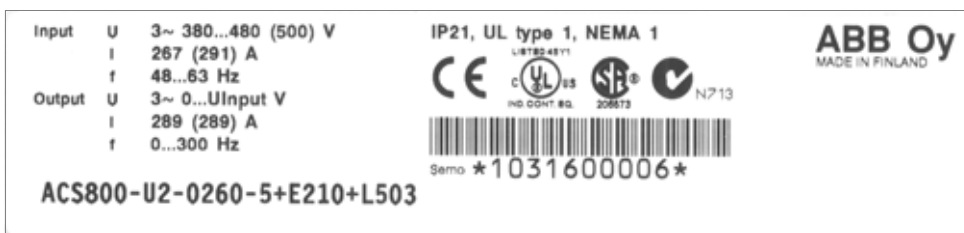
Delivery check

The drive is delivered in a box that also contains:

- hardware manual
- appropriate firmware manuals and guides
- optional module manuals
- delivery documents.

Check that there are no signs of damage. Before attempting installation and operation, check the information on the type designation label of the drive to verify that the unit is of the correct type. The label includes an IEC and NEMA rating, UL, C-UL, CSA and CE markings, a type code and a serial number, which allow individual recognition of each unit. The first digit of the serial number refers to the manufacturing plant. The next four digits refer to the unit's manufacturing year and week respectively. The remaining digits complete the serial number so that there are no two units with the same serial number.

The type designation label is located under the front visor and the serial number label inside the unit. Example labels are shown below.



Type designation label



Serial number label

Requirements for the installation site

The drive must be installed in an upright position on floor (or wall). Check the installation site according to the requirements below. Refer to [Dimensional drawings](#) for frame details. See [Technical data](#) for the allowed operation conditions of the drive.

Wall

The wall/material near the unit must be of non-flammable material. Check that there is nothing on the wall to inhibit the installation.

If a unit is mounted on the wall, the wall must be as close to vertical as possible, and strong enough to carry the weight of the unit. The drive must not be installed without the pedestal and a support shelf on wall, refer to [ACS800-02/U2 Application Guide on Wall Mounting](#) [3AFE68250013 (English)].

Floor

The floor/material below the installation should be non-flammable. The floor must be horizontal.

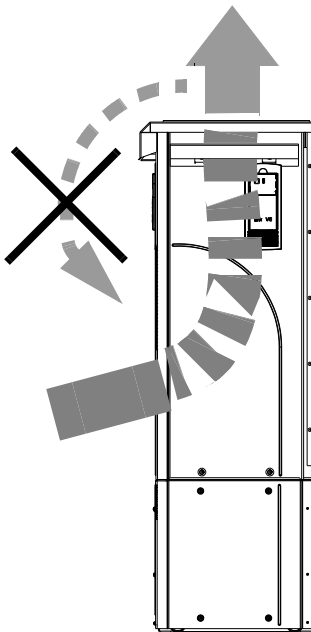
Free space around the unit

See section *Installation procedure: Choose the mounting orientation (a, b, c)*.

Cooling air flow

Provide the drive with the amount of fresh cooling air given in [Technical data / IEC data](#) or [NEMA data](#).

The cooling air will enter the unit from the front air grating and flow upwards inside the unit. Recirculating cooling air into the unit is not allowed.



IT (ungrounded) systems

A drive equipped with no EMC filter or with EMC filter +E210 is suitable for IT (ungrounded systems). If the drive is equipped with EMC filter +E202, disconnect the filter before connecting the drive to an ungrounded system. For detailed instructions on how to do this, please contact your local ABB representative.



WARNING! If a drive with EMC filter +E202 is installed on an IT system [an ungrounded power system or a high resistance-grounded (over 30 ohms) power system], the system will be connected to earth potential through the EMC filter capacitors of the drive. This may cause danger or damage the unit.

Required tools

- set of screw drivers
- torque wrench with 500 mm (20 in.) or 2 x 250 mm (2 x 10 in.) extension bar
- 19 mm (3/4 in.) socket
for frame size R7: 13 mm (1/2 in.) magnetic end socket
for frame size R8: 17 mm (11/16 in.) magnetic end socket.

Checking the insulation of the installation

Drive

Do not make any voltage tolerance or insulation resistance tests on any part of the drive as testing can damage the drive. Every drive has been tested for insulation between the main circuit and the chassis at the factory. Also, there are voltage-limiting circuits inside the drive which cut down the testing voltage automatically.

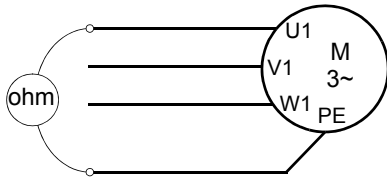
Input cable

Check the insulation of the input cable according to local regulations before connecting it to the drive.

Motor and motor cable

Check the insulation of the motor and motor cable as follows:

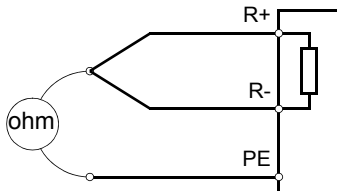
1. Check that the motor cable is connected to the motor, and disconnected from the drive output terminals U2, V2 and W2.
2. Measure the insulation resistance between each phase conductor and the Protective Earth conductor using a measuring voltage of 500 V DC. The insulation resistance of an ABB motor must exceed 100 Mohm (reference value at 25 °C or 77 °F). For the insulation resistance of other motors, please consult the manufacturer's instructions. **Note:** Moisture inside the motor casing will reduce the insulation resistance. If moisture is suspected, dry the motor and repeat the measurement.



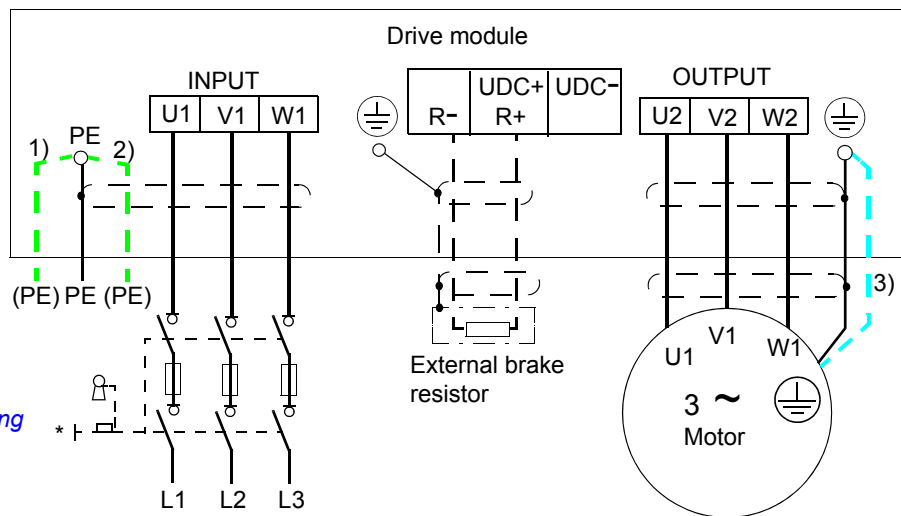
Braking resistor assembly

Check the insulation of the braking resistor assembly (if present) as follows:

1. Check that the resistor cable is connected to the resistor, and disconnected from the drive output terminals R+ and R-.
2. At the drive end, connect the R+ and R- conductors of the resistor cable together. Measure the insulation resistance between the combined conductors and the PE conductor by using a measuring voltage of 1 kV DC. The insulation resistance must be higher than 1 Mohm.



Power cable connection diagram



* For alternatives, see *Planning the electrical installation: Disconnecting device (disconnecting means)*

1), 2)

If shielded cable is used (not required but recommended), use a separate PE cable (1) or a cable with a grounding conductor (2) if the conductivity of the input cable shield is < 50 % of the conductivity of the phase conductor.

Ground the other end of the input cable shield or PE conductor at the distribution board.

3) Use a separate grounding cable if the conductivity of the cable shield is < 50 % of the conductivity of the phase conductor and there is no symmetrically constructed grounding conductor in the cable (see *Planning the electrical installation / Selecting the power cables*).

Note:

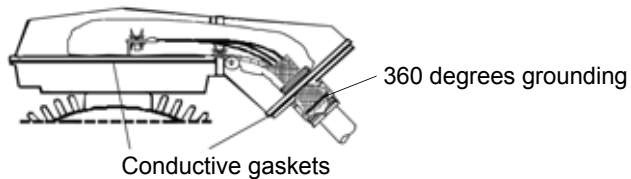
If there is a symmetrically constructed grounding conductor in the motor cable in addition to the conductive shield, connect the grounding conductor to the grounding terminal at the drive and motor ends.

Do not use an asymmetrically constructed motor cable. Connecting its fourth conductor at the motor end increases bearing currents and causes extra wear.

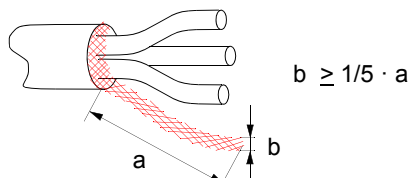
Grounding of the motor cable shield at the motor end

For minimum radio frequency interference:

- ground the cable shield 360 degrees at the lead-through of the motor terminal box

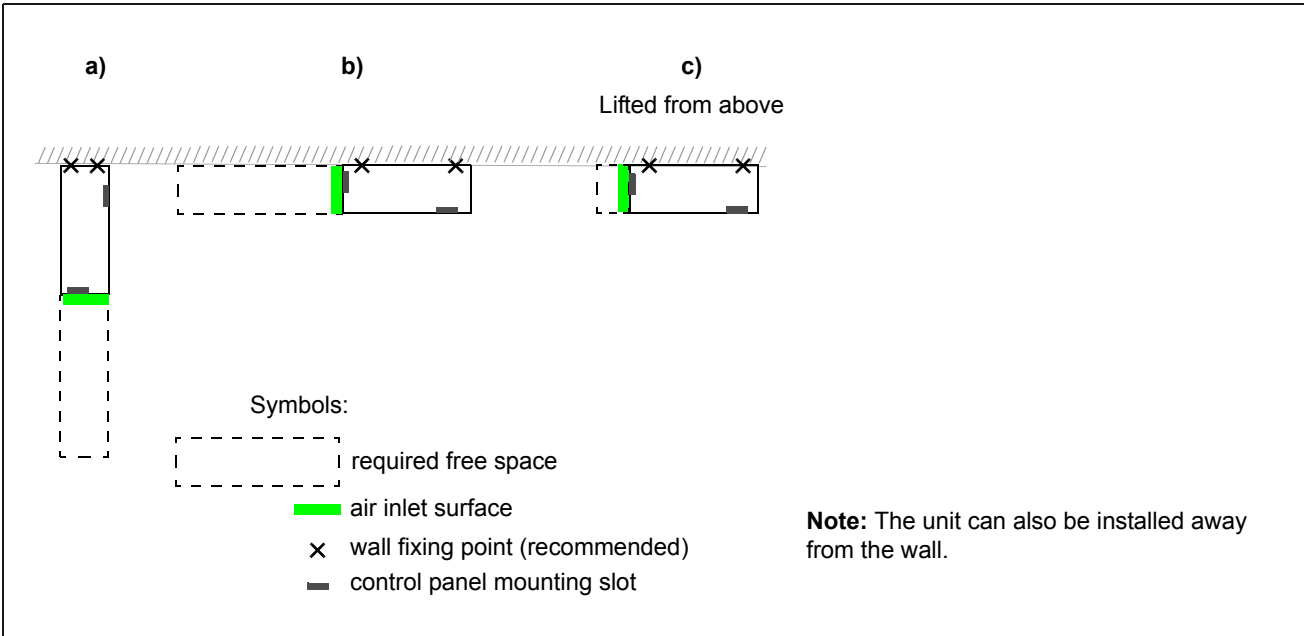


- or ground the cable by twisting the shield as follows: flattened width $\geq 1/5 \cdot \text{length}$.



Installation procedure

Choose the mounting orientation (a, b, c)



Frame size	Mounting orientation	Required free space around the unit for mounting, maintenance, service and cooling *					
		Front		Side		Above	
		mm	in.	mm	in.	mm	in.
R7	a	500	20	-	-	200	7.9
	b	-	-	500	20	200	7.9
	c	-	-	200**	7.9**	lifting space	lifting space
R8	a	600	24	-	-	300	12
	b	-	-	600	24	300	12
	c	-	-	300**	12**	lifting space	lifting space

* space for the installer not included

** space for fan and capacitor replacement not included

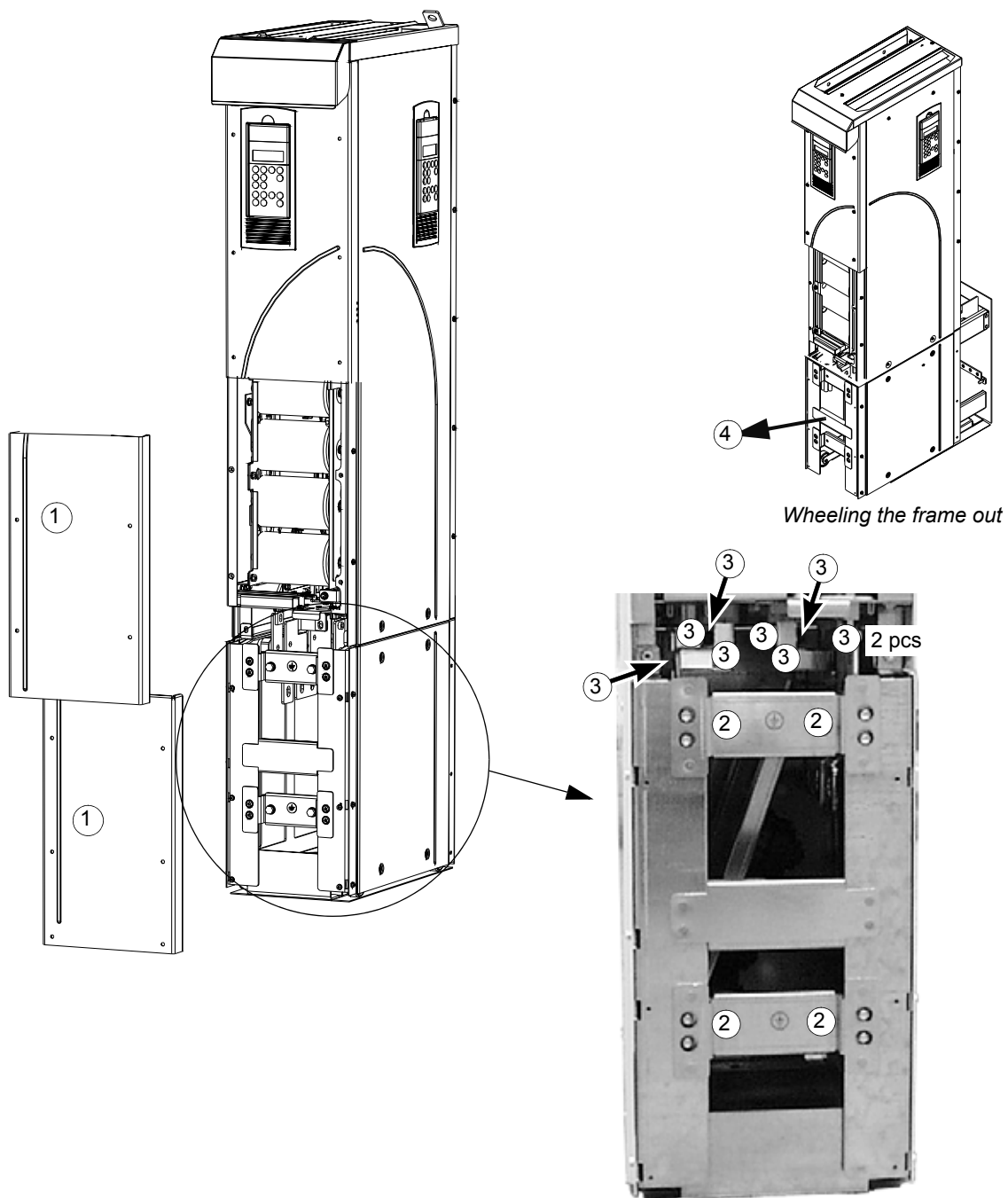
Mounting orientations a and b

Make holes in the wall (recommended):

1. Lift the unit against the wall into the mounting place.
2. Mark the locations for the two fixing points in the wall (not for mounting orientation **a** if the unit is subjected to sideways vibration).
3. Mark the bottom edges of the unit to the floor.

Remove the pedestal (frame size R7):

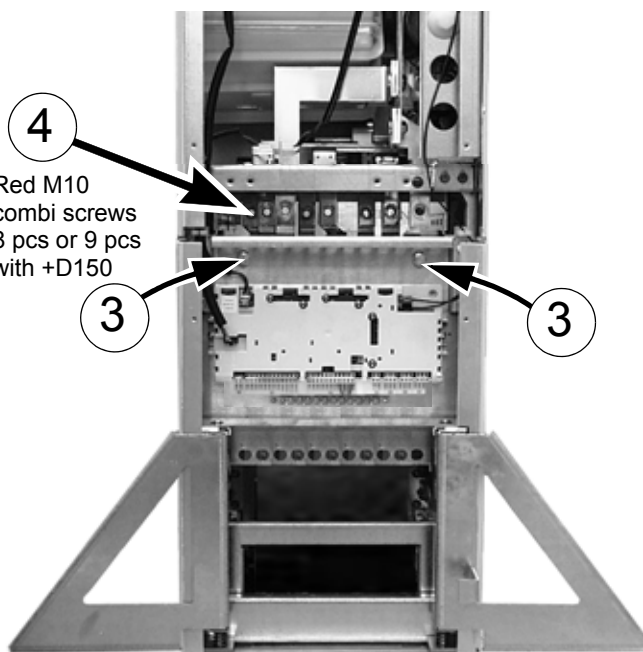
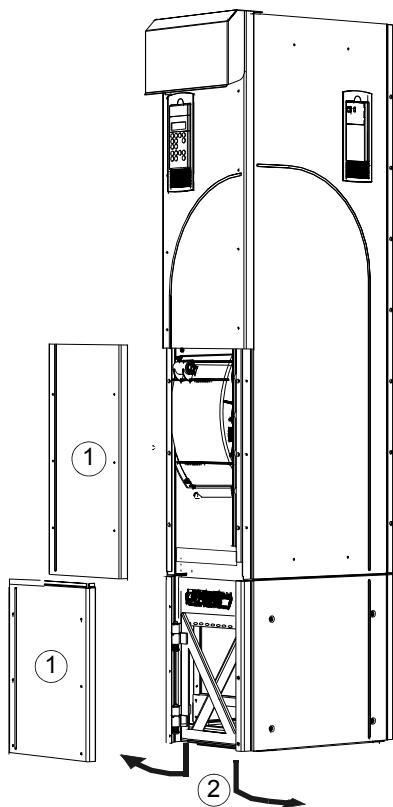
1. Remove the lower front covers by undoing the fixing screws.
2. Undo the red screws that fix the pedestal to the frame from front.
3. Undo the red M8 combi screws (8 pcs or 9 pcs with +D150) that connect the busbars of the pedestal to the upper frame. Use a torque wrench with an extension bar.
4. Wheel the drive frame out by using the handle.



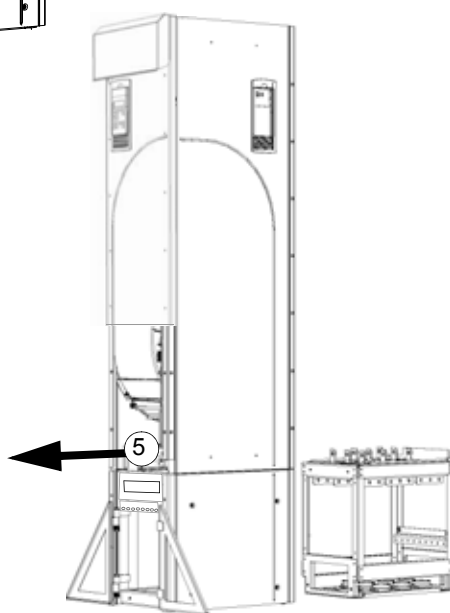
ProE: ACS800-02-R7_manual2.drw

Remove the pedestal (frame size R8):

1. Remove the lower front covers by undoing the fixing screws.
2. Press the left support leg a little down and turn it left. Let it lock down. Turn the right leg aside in the same way. The legs will prevent the unit from falling down during the installation.
3. Undo the screws that fix the pedestal to the frame from front.
4. Undo the screws that connect the busbars of the pedestal to the upper frame. Use a torque wrench with an extension bar.
5. Wheel the drive frame out by using the handle.



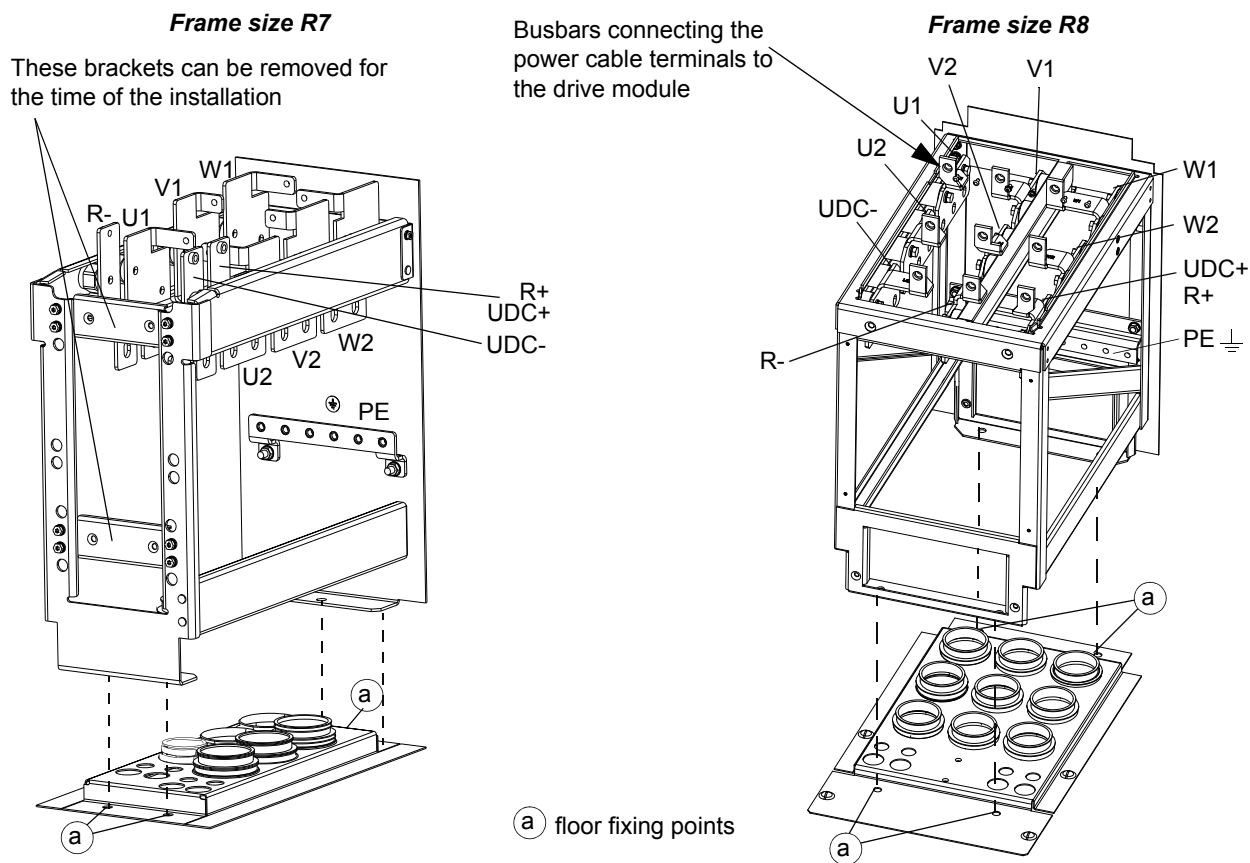
4
Red M10
combi screws
8 pcs or 9 pcs
with +D150



Pedestal disconnected

Fix the lead-through plate to the floor:

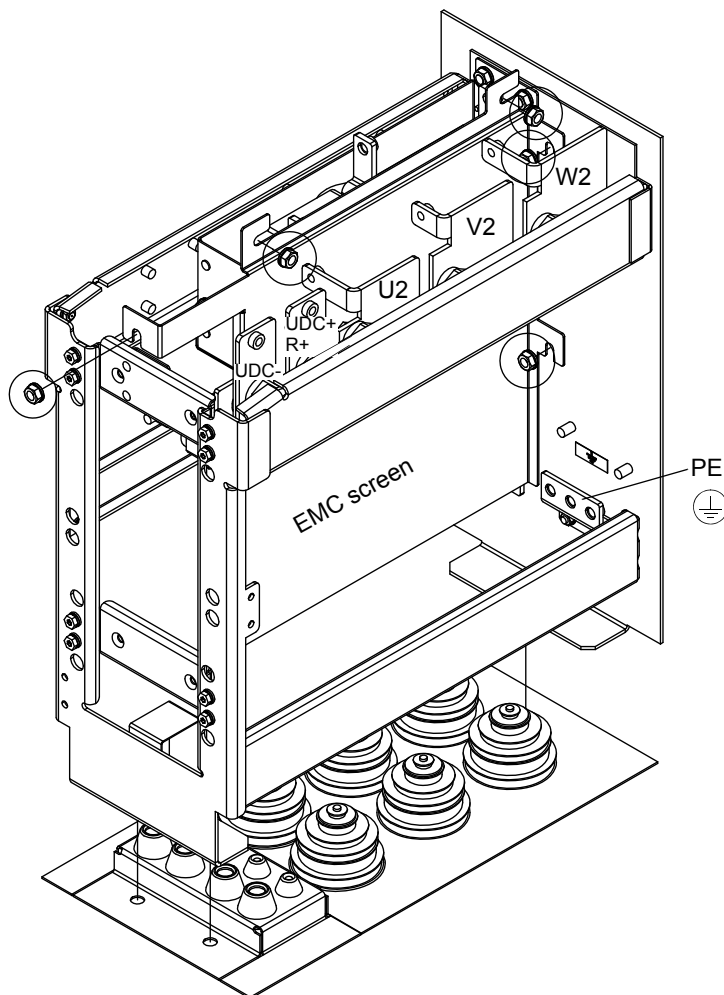
1. Make a hole in the floor or cable conduit cover below the lead-through plate. See [Dimensional drawings](#).
2. Check that the floor is horizontal with a spirit level.
3. Fasten the lead-through plate with screws or bolts.
Note: The screws/bolts will be removed and refastened when the pedestal is fastened through the same holes later on. The lead-through plate can be fastened after leading the cables through it if the cabling procedure is more convenient in that way.



Units with EMC screen (+E202)

Remove the EMC screen by undoing the five fastening screws.

Note: The screen must be replaced when the cables have been connected. Tightening torque of the fastening screws is 5 Nm (3.7 lbf ft).

**Lead the power (input, motor and optional brake) cables through the lead-through plate:**

1. Make adequate holes in the grommets to fit them tightly on the cables.
2. Lead the cables through the holes and slide the grommets onto the cables.

Prepare the power cables:

1. Strip the cables.
2. Twist the shield wires.
3. Bend the conductors to the terminals.
4. Cut the conductors to adequate length. Put the pedestal onto the lead-through plate and check the length of the conductors. Remove the pedestal.
5. Crimp or screw cable lugs onto the conductors.



WARNING! The maximum allowed width of the cable lug is 38 mm (1.5 in.). Wider cable lugs may cause a short-circuit.

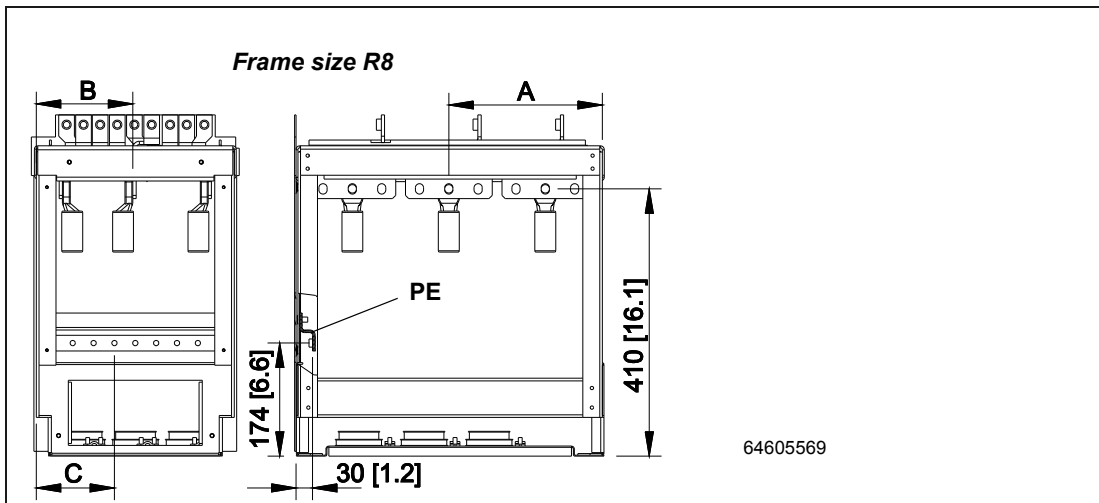
6. Connect the twisted shields of the cables to the PE busbar.

Note: 360 degrees grounding is not needed at the cable entry. The short twisted shield provides, in addition to the protective grounding, also sufficient disturbance suppression.

Frame size R7 without EMC screen

Terminal	U1, U2	V1, V2	W1, W2	UDC+/R+, R-	UDC-
A (hole 1) / mm [in.]	159 [6.3]	262 [10.3]	365 [14.4]	58 [2.3]	3 [0.1]
A (hole 2) / mm [in.]	115 [4.5]	218 [8.5]	321 [12.6]	-	-

PE busbar hole	1	2	3	4	5	6
B / mm [in.]	43 [1.7]	75 [3.0]	107 [4.2]	139 [5.5]	171 [6.7]	203 [8.0]



Terminal	A			B	A			B
	hole 1	hole 2	hole 3		hole 1	hole 2	hole 3	
	mm	mm	mm		in.	in.	in.	
Frame size R8								
U1	432	387	342	40	17.0	15.2	13.5	1.6
V1				148				5.8
W1				264				10.4
U2	284	239	194	40	11.2	9.4	7.6	1.6
V2				148				5.8
W2				264				10.4
UDC-	136	91	46	40	5.4	3.6	1.8	1.6
R-				148				5.8
UDC+/R+				264				10.4

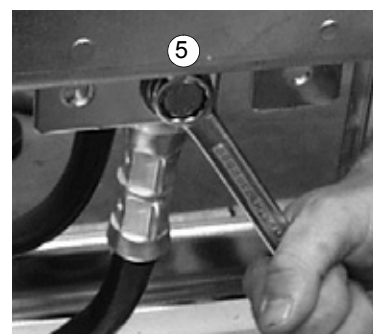
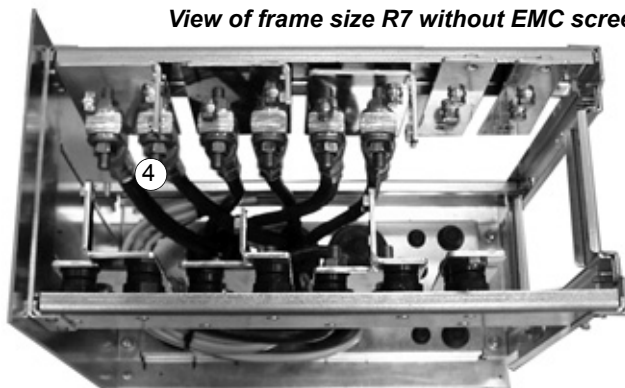
PE busbar hole	1	2	3	4	5	6	7	8	9
C / mm [in.]	24 [0.9]	56 [2.2]	88 [3.5]	120 [4.7]	152 [6.0]	184 [7.2]	216 [8.5]	248 [9.8]	280 [11.0]

Lead the control cables through the lead-through plate:

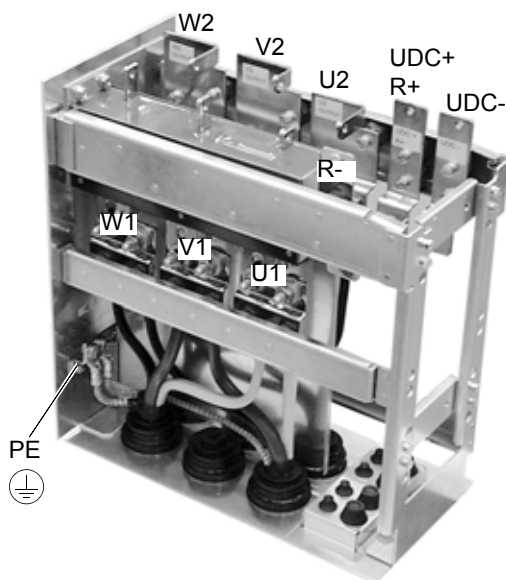
1. Cut holes in the grommets to fit them tightly onto the control cables.
2. Lead the control cables through the lead-through plate and slide the grommets onto the cables.

Connect the cable lugs to the pedestal:

1. If the lead-through plate is fixed to the floor, undo the fixing screws.
2. Place the pedestal onto the lead-through plate.
3. Fasten the pedestal and the lead-through plate to the floor with the screws through the same holes.
4. Connect the cable lugs to the pedestal (U1, V1, W1, U2, V2, W2 and PE; optional brake resistor cable lugs to UDC+/R+ and R-).
5. Tighten the connections.
6. Units with EMC screen (+E202): Fasten the EMC screen between the input and motor cables as shown on page 61.

View of frame size R7 without EMC screen (+E202)

Frame sizes R7 and R8: M12 (1/2 in.) bolt
Tightening torque: 50...75 Nm (37...55 lbf ft)

View of frame size R7 with EMC screen (+E202)

WARNING! It is not allowed to connect the cables directly to the drive module terminals. The leadthrough insulation material is not strong enough to carry the mechanical stress exerted by the cables. The cable connections must be performed in the pedestal.

Wheel the drive frame back on the pedestal (See step *Remove the pedestal*).

Fix the pedestal to the drive frame in reverse order to step *Remove the pedestal*:

1. Fix the fastening screws.



WARNING! The fixing is important because the screws are required for the grounding of the drive.

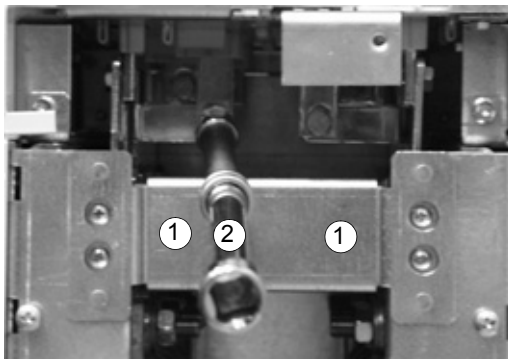
2. Connect the terminals at the top of the pedestal to the terminals at the bottom of the upper part of the drive frame.



WARNING! Be careful not to drop screws inside the pedestal. Loose metal pieces inside the unit may cause damage.

3. Tighten the connections.

View of frame size R7

Terminal connection screws

R7: M8 combi screws

Tightening torque: 15...22 Nm (11...16 lbf ft)

R8: M10 combi screws

Tightening torque: 30...44 Nm (22...32 lbf ft)

Fasten the drive frame to the wall (recommended):

Fasten the unit with screws or bolts to the holes in the wall.

Note: In mounting orientation **a**, do not fasten the unit to wall if it is subjected to sideways vibration.

Connect the control cables as described in section [Connecting the control cables](#).

Fasten the covers

Mounting orientation c (lifting from above)

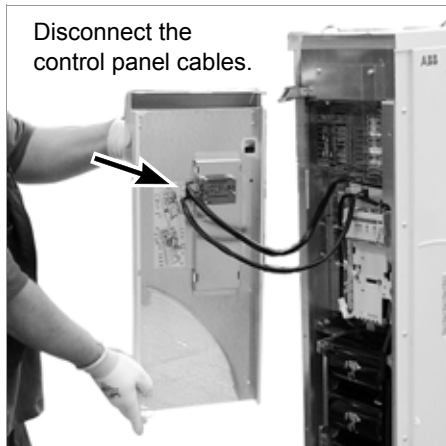
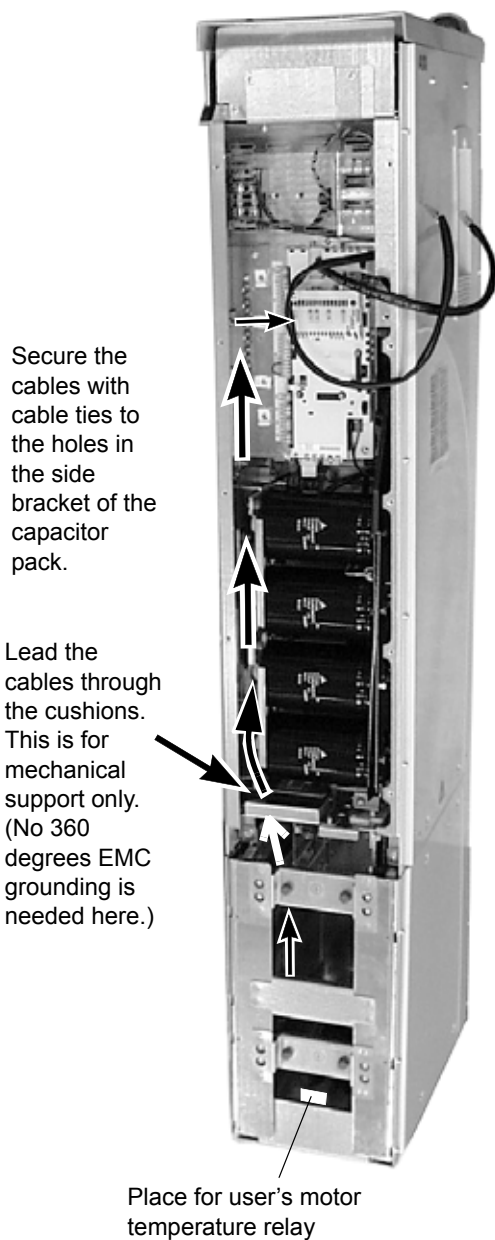
Make the installation otherwise as described in [Mounting orientations a and b](#) but leave the pedestal connected to the frame.

- Remove the lead-through plate and the lower front and side plates.
- Lift the drive frame onto the lead-through plate from above.
- Fasten the drive to the floor.
- Connect the cable lugs to the terminals.
- Fasten the lower front and side plates.
- Fasten the drive by top to the wall (recommendation).

Note: When mounting the unit on wall, a support shelf is required, see the instructions in *ACS800-02/U2 Application Guide on Wall Mounting* [3AFE68250013 (English)].

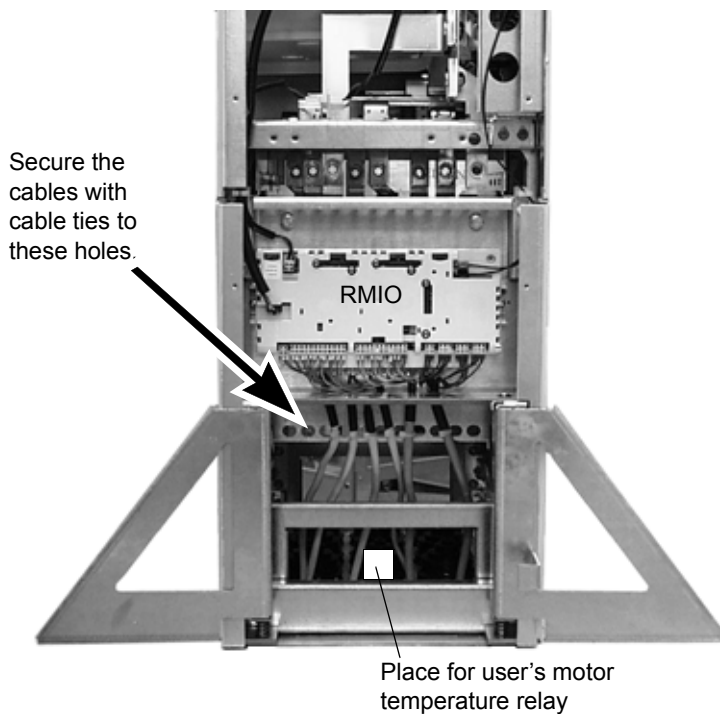
Routing the control/signal cables inside the cubicle

Frame size R7



Opening the top front cover (R7)

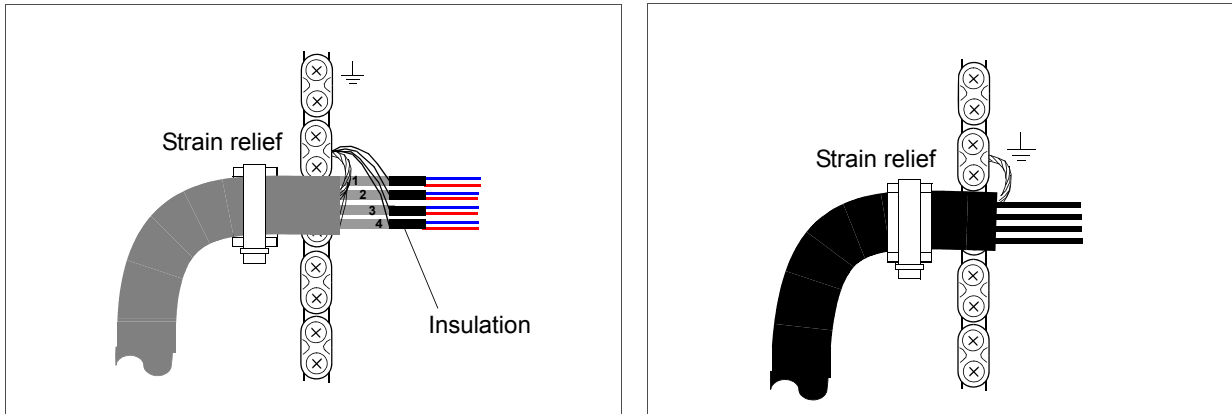
Frame size R8



Connecting the control cables

Connect the control cables as described below. Connect the conductors to the appropriate detachable terminals of the RMIO board (refer to chapter [Motor control and I/O board \(RMIO\)](#)). Tighten the screws to secure the connection.

Connecting the shield wires at RMIO board



Double-shielded cable

Single-shielded cable

Single-shielded cable: Twist the grounding wires of the outer shield and connect them to the nearest grounding clamp. Double-shielded cable: Connect the inner shields and the grounding wires of the outer shield to the nearest grounding clamp.

Do not connect shields of different cables to the same grounding clamp.

Leave the other end of the shield unconnected or ground it indirectly via a few nanofarads high-frequency capacitor (e.g. 3.3 nF / 630 V). The shield can also be grounded directly at both ends if they are *in the same ground line* with no significant voltage drop between the end points.

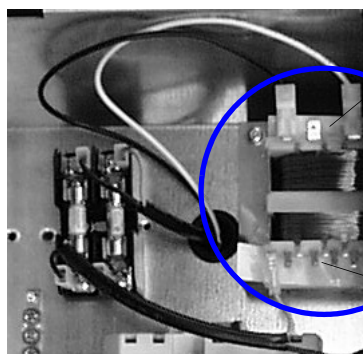
Keep the signal wire pairs twisted as close to the terminals as possible. Twisting the wire with its return wire reduces disturbances caused by inductive coupling.

Securing the control cables mechanically

Use strain relief clamps as shown above. Fasten the control cables together and to the drive frame with cable ties as shown in section [Routing the control/signal cables inside the cubicle](#).

Settings of the cooling fan transformer

The voltage transformer of the cooling fan (T41) is located at the top of the drive module.



Set to 220 V if the supply frequency is 60 Hz. (The voltage is set to 230 V (50 Hz) at the factory.)

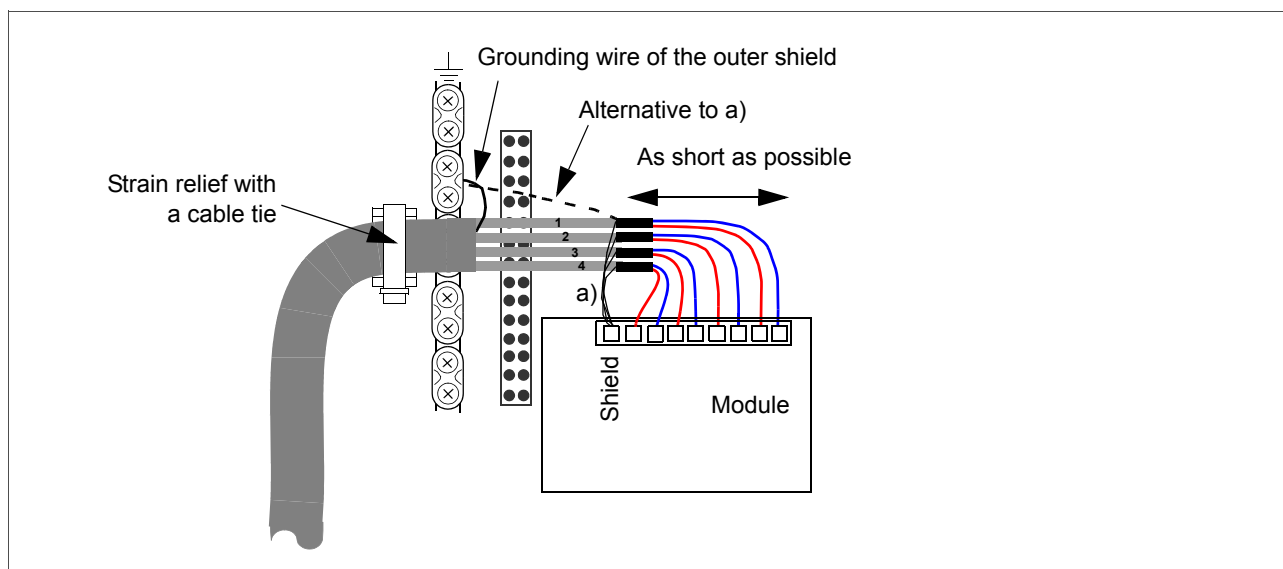
Set according to the supply voltage:
380 V, 400 V, 415 V, 440 V, 480 V or 500 V; or
525 V, 575 V, 600 V, 660 V or 690 V.

Note: No need to set for 230 V units.

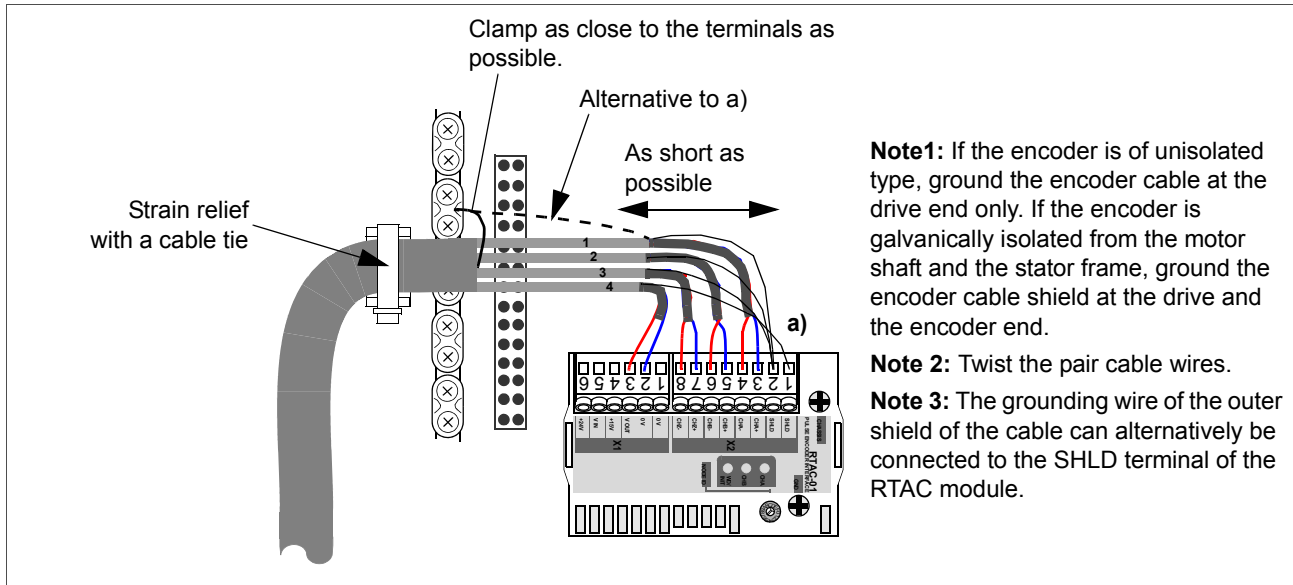
Installation of optional modules and PC

The optional module (such as fieldbus adapter, I/O extension module and the pulse encoder interface) is inserted in the optional module slot of the RMIO board and fixed with two screws. See the appropriate optional module manual for cable connections.

Cabling of I/O and fieldbus modules



Pulse encoder module cabling



Fibre optic link

A DDCS fibre optic link is provided via the RDCO optional module for PC tools, master/follower link, NDIO, NTAC, NAIIO, AIMA I/O module adapter and fieldbus adapter modules of type Nxxx. See chapter [RDCO-01/02/03/04 DDCS communication option modules on page 119](#). Observe colour coding when installing fibre optic cables. Blue connectors go to blue terminals and grey connectors to grey terminals.

When installing multiple modules on the same channel, connect them in a ring.

Installation of user's own relays

A motor thermistor relay can be installed to a rail in the pedestal (frame size R7) or on the lead-through plate (frame size R8).

Installation of brake resistors

See [Resistor braking](#). Connect the resistor as shown in section [Power cable connection diagram](#) above.

Parameter settings

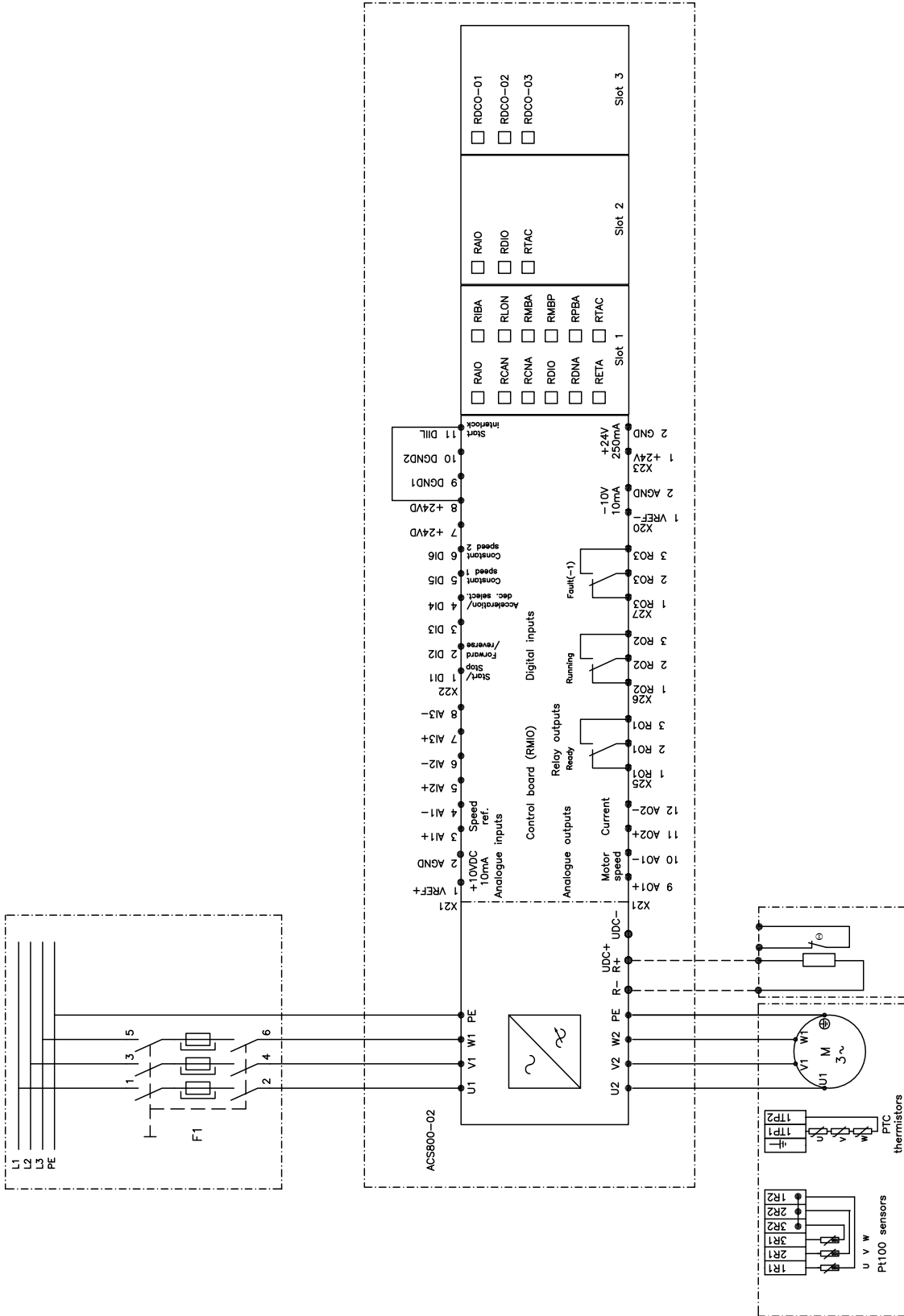
To enable dynamic braking, certain drive parameters must be adjusted. For further information, refer to the *Firmware Manual*.

Fill-in user connections diagram

The following diagram is a fill-in template for the user's power and control cable connections. Factory Macro configurations of ACS800 Standard Control Program are shown. For other programs and macros, refer to the appropriate firmware manual.

By completing the diagram you can document your installation for future use/reference.

Wiring diagram template



Motor control and I/O board (RMIO)

What this chapter contains

This chapter shows

- external control connections to the RMIO board for the ACS800 Standard Control Program (Factory Macro)
- specifications of the inputs and outputs of the board.

Note on terminal labelling

Optional modules (Rxxx) may have identical terminal designations with the RMIO board.

Note on external power supply

External +24 V power supply for the RMIO board is recommended if

- the application requires a fast start after connecting the input power supply
- fieldbus communication is required when the input power supply is disconnected.

The RMIO board can be supplied from an external power source via terminal X23 or X34 or via both X23 and X34. The internal power supply to terminal X34 can be left connected when using terminal X23.



WARNING! If the RMIO board is supplied from an external power source via terminal X34, the loose end of the cable removed from the RMIO board terminal must be secured mechanically to a location where it cannot come into contact with electrical parts. If the screw terminal plug of the cable is removed, the wire ends must be individually insulated.

Parameter settings

In Standard Control Program, set parameter 16.9 CTRL BOARD SUPPLY to EXTERNAL 24V if the RMIO board is powered from an external supply.

External control connections (non-US)

External control cable connections to the RMIO board for the ACS800 Standard Control Program (Factory Macro) are shown below. For external control connections of other control macros and programs, see the appropriate *Firmware Manual*.

RMIO

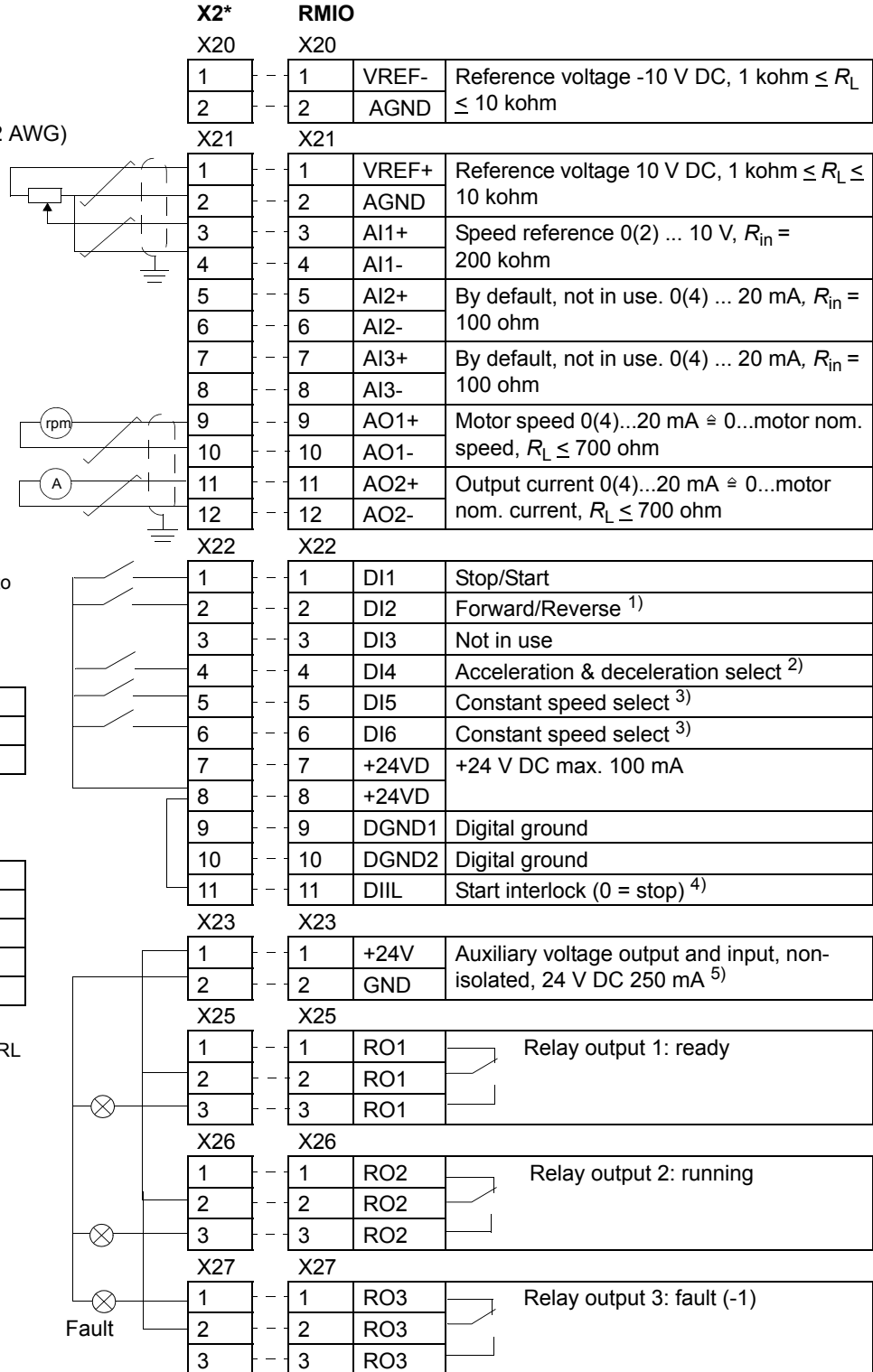
Terminal block size:

cables 0.3 to 3.3 mm² (22 to 12 AWG)

Tightening torque:

0.2 to 0.4 Nm

(0.2 to 0.3 lbf ft)



1) Only effective if par. 10.03 is set to REQUEST by the user.

2) 0 = open, 1 = closed

DI4	Ramp times according to
0	parameters 22.02 and 22.03
1	parameters 22.04 and 22.05

3) See par. group 12 CONSTANT SPEEDS.

DI5	DI6	Operation
0	0	Set speed through AI1
1	0	Constant speed 1
0	1	Constant speed 2
1	1	Constant speed 3

4) See parameter 21.09 START INTRL FUNC.

5) Total maximum current shared between this output and optional modules installed on the board.

External control connections (US)

External control cable connections to the RMIO board for the ACS800 Standard Control Program (Factory Macro US version) are shown below. For external control connections of other control macros and programs, see the appropriate *Firmware Manual*.

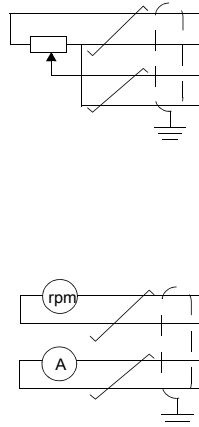
RMIO

Terminal block size:

cables 0.3 to 3.3 mm² (22 to 12 AWG)

Tightening torque:

0.2 to 0.4 Nm (0.2 to 0.3 lbf ft)



X2*	RMIO		
X20	X20	1	VREF-
		2	AGND
X21	X21	1	VREF+
		2	AGND
		3	AI1+
		4	AI1-
		5	AI2+
		6	AI2-
		7	AI3+
		8	AI3-
		9	AO1+
		10	AO1-
		11	AO2+
		12	AO2-
X22	X22	1	DI1
		2	DI2
		3	DI3
		4	DI4
		5	DI5
		6	DI6
		7	+24VD
		8	+24VD
		9	DGND1
		10	DGND2
		11	DIIL
X23	X23	1	+24V
		2	GND
X25	X25	1	RO1
		2	RO1
		3	RO1
X26	X26	1	RO2
		2	RO2
		3	RO2
X27	X27	1	RO3
		2	RO3
		3	RO3

1) Only effective if par. 10.03 is set to REQUEST by the user.

2) 0 = open, 1 = closed

DI4	Ramp times according to
0	parameters 22.02 and 22.03
1	parameters 22.04 and 22.05

3) See par. group 12 CONSTANT SPEEDS.

DI5	DI6	Operation
0	0	Set speed through AI1
1	0	Constant speed 1
0	1	Constant speed 2
1	1	Constant speed 3

4) See parameter 21.09 START INTRL FUNC.

5) Total maximum current shared between this output and optional modules installed on the board.

RMIO board specifications

Analogue inputs

	With Standard Control Program two programmable differential current inputs (0 mA / 4 mA ... 20 mA, $R_{in} = 100 \text{ ohm}$) and one programmable differential voltage input (-10 V / 0 V / 2 V ... +10 V, $R_{in} = 200 \text{ kohm}$).
	The analogue inputs are galvanically isolated as a group.
Insulation test voltage	500 V AC, 1 min
Max. common mode voltage between the channels	$\pm 15 \text{ V DC}$
Common mode rejection ratio	$\geq 60 \text{ dB}$ at 50 Hz
Resolution	0.025% (12 bit) for the -10 V ... +10 V input. 0.5% (11 bit) for the 0 ... +10 V and 0 ... 20 mA inputs.
Inaccuracy	$\pm 0.5\%$ (Full Scale Range) at 25 °C (77 °F). Temperature coefficient: $\pm 100 \text{ ppm}/^{\circ}\text{C}$ ($\pm 56 \text{ ppm}/^{\circ}\text{F}$), max.

Constant voltage output

Voltage	+10 V DC, 0, -10 V DC $\pm 0.5\%$ (Full Scale Range) at 25 °C (77 °F). Temperature coefficient: $\pm 100 \text{ ppm}/^{\circ}\text{C}$ ($\pm 56 \text{ ppm}/^{\circ}\text{F}$) max.
Maximum load	10 mA
Applicable potentiometer	1 kohm to 10 kohm

Auxiliary power output

Voltage	24 V DC $\pm 10\%$, short circuit proof
Maximum current	250 mA (shared between this output and optional modules installed on the RMIO)

Analogue outputs

	Two programmable current outputs: 0 (4) to 20 mA, $R_L \leq 700 \text{ ohm}$
Resolution	0.1% (10 bit)
Inaccuracy	$\pm 1\%$ (Full Scale Range) at 25 °C (77 °F). Temperature coefficient: $\pm 200 \text{ ppm}/^{\circ}\text{C}$ ($\pm 111 \text{ ppm}/^{\circ}\text{F}$) max.

Digital inputs

	With Standard Control Program six programmable digital inputs (common ground: 24 V DC, -15% to +20%) and a start interlock input. Group isolated, can be divided in two isolated groups (see Isolation and grounding diagram below).
	Thermistor input: 5 mA, $< 1.5 \text{ kohm} \hat{=} \text{"1"}$ (normal temperature), $> 4 \text{ kohm} \hat{=} \text{"0"}$ (high temperature), open circuit $\hat{=} \text{"0"}$ (high temperature).
	Internal supply for digital inputs (+24 V DC): short-circuit proof. An external 24 V DC supply can be used instead of the internal supply.
Insulation test voltage	500 V AC, 1 min
Logical thresholds	$< 8 \text{ V DC} \hat{=} \text{"0"}$, $> 12 \text{ V DC} \hat{=} \text{"1"}$
Input current	DI1 to DI 5: 10 mA, DI6: 5 mA
Filtering time constant	1 ms

Relay outputs

	Three programmable relay outputs
Switching capacity	8 A at 24 V DC or 250 V AC, 0.4 A at 120 V DC
Minimum continuous current	5 mA rms at 24 V DC
Maximum continuous current	2 A rms
Insulation test voltage	4 kV AC, 1 minute

DDCS fibre optic link

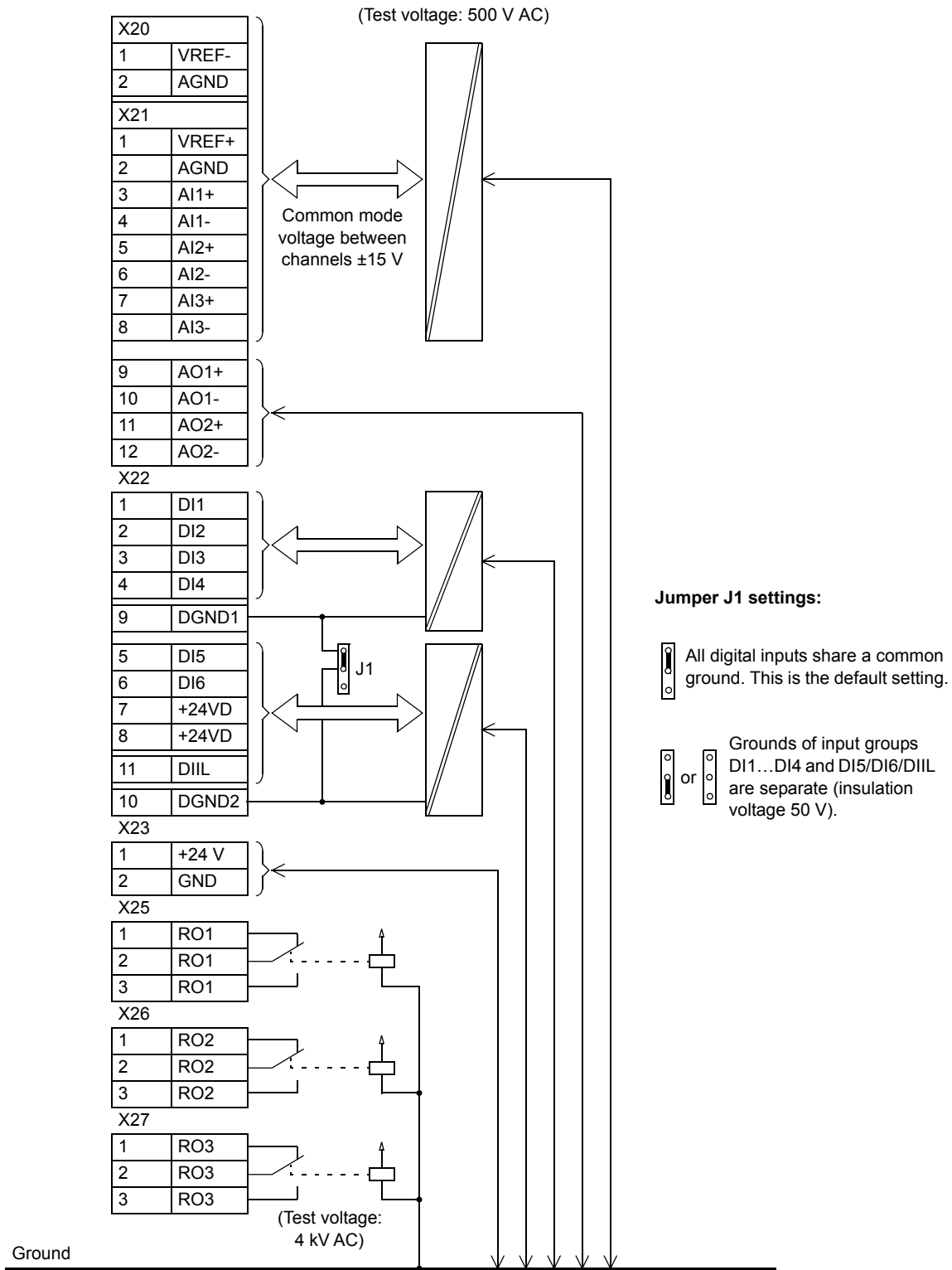
With optional communication adapter module RDCO. Protocol: DDCS (ABB Distributed Drives Communication System)

24 V DC power input

Voltage	24 V DC \pm 10%
Typical current consumption (without optional modules)	250 mA
Maximum current consumption	1200 mA (with optional modules inserted)

The terminals on the RMIO board as well as on the optional modules attachable to the board fulfil the Protective Extra Low Voltage (PELV) requirements stated in EN 50178:1997 provided that the external circuits connected to the terminals also fulfil the requirements and the installation site is below 2000 m (6562 ft). Above 2000 m (6562 ft), see page [41](#).

Isolation and grounding diagram



Installation checklist

Checklist

Check the mechanical and electrical installation of the drive before start-up. Go through the checklist below together with another person. Read the [Safety instructions](#) on the first pages of this manual before you work on the unit.

Check	
MECHANICAL INSTALLATION	
The ambient operating conditions are allowed. See Installation, Technical data: IEC data or NEMA data, Ambient conditions .	<input type="checkbox"/>
The unit is fixed properly on floor and a vertical non-flammable wall. See Installation .	<input type="checkbox"/>
The cooling air will flow freely.	<input type="checkbox"/>
ELECTRICAL INSTALLATION See Planning the electrical installation, Installation .	
The motor and the driven equipment are ready for start. See Planning the electrical installation: Checking the compatibility of the motor and drive, Technical data: Motor connection .	<input type="checkbox"/>
The +E202 EMC filter capacitors are disconnected if the drive is connected to an IT (ungrounded) system.	<input type="checkbox"/>
The capacitors are reformed if stored over one year (refer to Capacitor reforming instructions (3BFE64059629 [English])).	<input type="checkbox"/>
The drive is grounded properly.	<input type="checkbox"/>
The mains (input power) voltage matches the drive nominal input voltage.	<input type="checkbox"/>
The mains (input power) connections at U1, V1 and W1 and their tightening torques are OK.	<input type="checkbox"/>
Appropriate mains (input power) fuses and disconnectors are installed.	<input type="checkbox"/>
The motor connections at U2, V2 and W2 and their tightening torques are OK.	<input type="checkbox"/>
The motor cable is routed away from other cables.	<input type="checkbox"/>
Setting of the fan voltage transformer	<input type="checkbox"/>
There are no power factor compensation capacitors in the motor cable.	<input type="checkbox"/>
The external control connections inside the drive are OK.	<input type="checkbox"/>
There are no tools, foreign objects or dust from drilling inside the drive.	<input type="checkbox"/>
Mains (input power) voltage cannot be applied to the output of the drive (with bypass connection).	<input type="checkbox"/>
Drive, motor connection box and other covers are in place.	<input type="checkbox"/>

Maintenance

What this chapter contains

This chapter contains preventive maintenance instructions.

Safety



WARNING! Read the [Safety instructions](#) on the first pages of this manual before performing any maintenance on the equipment. Ignoring the safety instructions can cause injury or death. **Note:** There are parts carrying dangerous voltages near the RMIO board when the drive is powered.

Maintenance intervals

If installed in an appropriate environment, the drive requires very little maintenance. This table lists the routine maintenance intervals recommended by ABB.

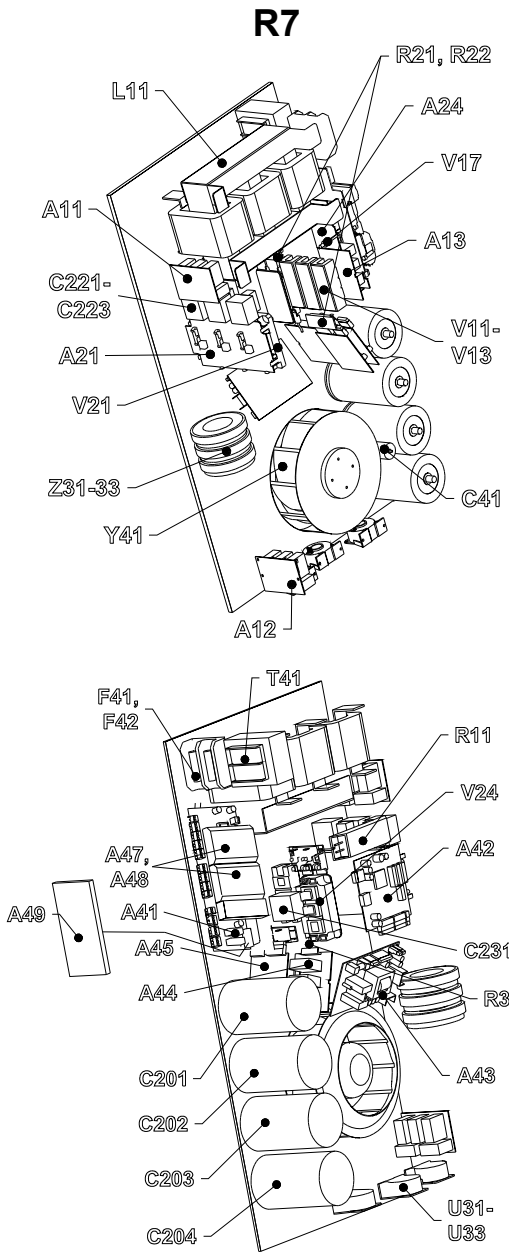
Interval	Maintenance	Instruction
Every year when stored	Capacitor reforming	See Reforming .
Every 6 to 12 months (depending on the dustiness of the environment)	Heatsink temperature check and cleaning	See Heatsink .
Every 6 years	Cooling fan change	See Fan .
Every 10 years	Capacitor change	See Capacitors .

Consult your local ABB Service representative for more details on the maintenance. On the Internet, go to www.abb.com/drives and select *Drive Services – Maintenance and Field Services*.

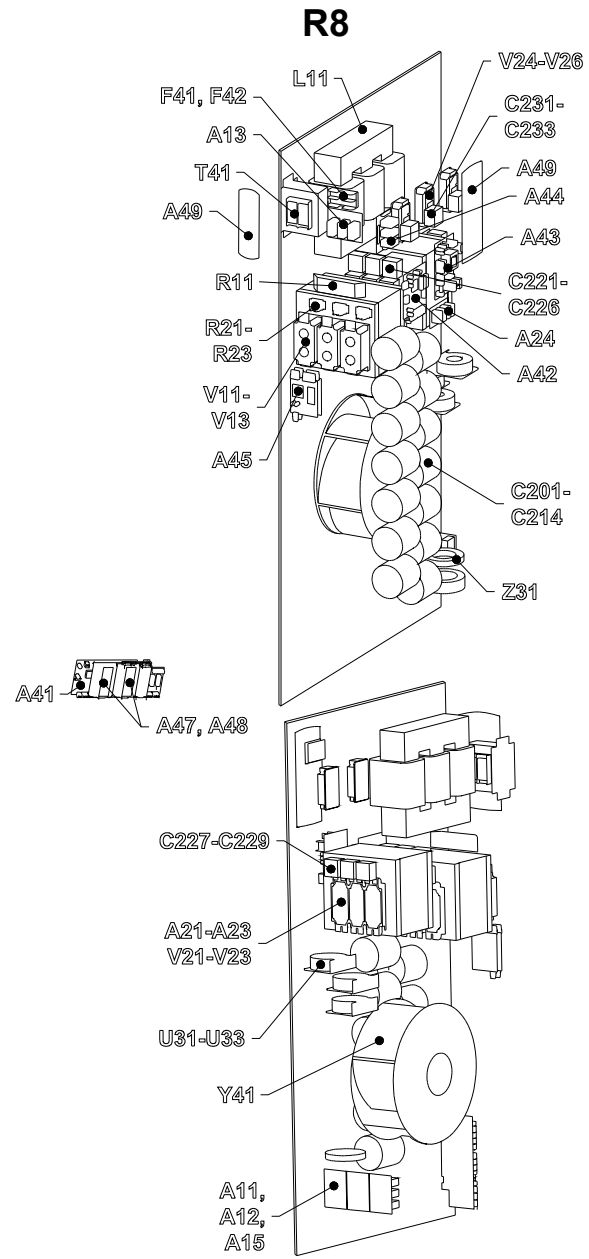
Layout

The layout stickers of the drive are shown below. The stickers show all possible components. Not all of them are present in each delivery or described here.

Designation	Component
A49	Control panel
A41	Motor control and I/O board (RMIO)
Y41	Cooling fan
C_	Capacitors



Code: 64572261-B



Code: 64601423-B

Heatsink

The heatsink fins pick up dust from the cooling air. The drive runs into overtemperature warnings and faults if the heatsink is not clean. In a “normal” environment (not dusty, not clean) the heatsink should be checked annually, in a dusty environment more often.

Clean the heatsink as follows (when necessary):

1. Remove the cooling fan (see section *Fan*).
2. Blow dry clean compressed air from bottom to top and simultaneously use a vacuum cleaner at the air outlet to trap the dust. **Note:** Prevent dust from entering adjoining equipment.
3. Replace the cooling fan.

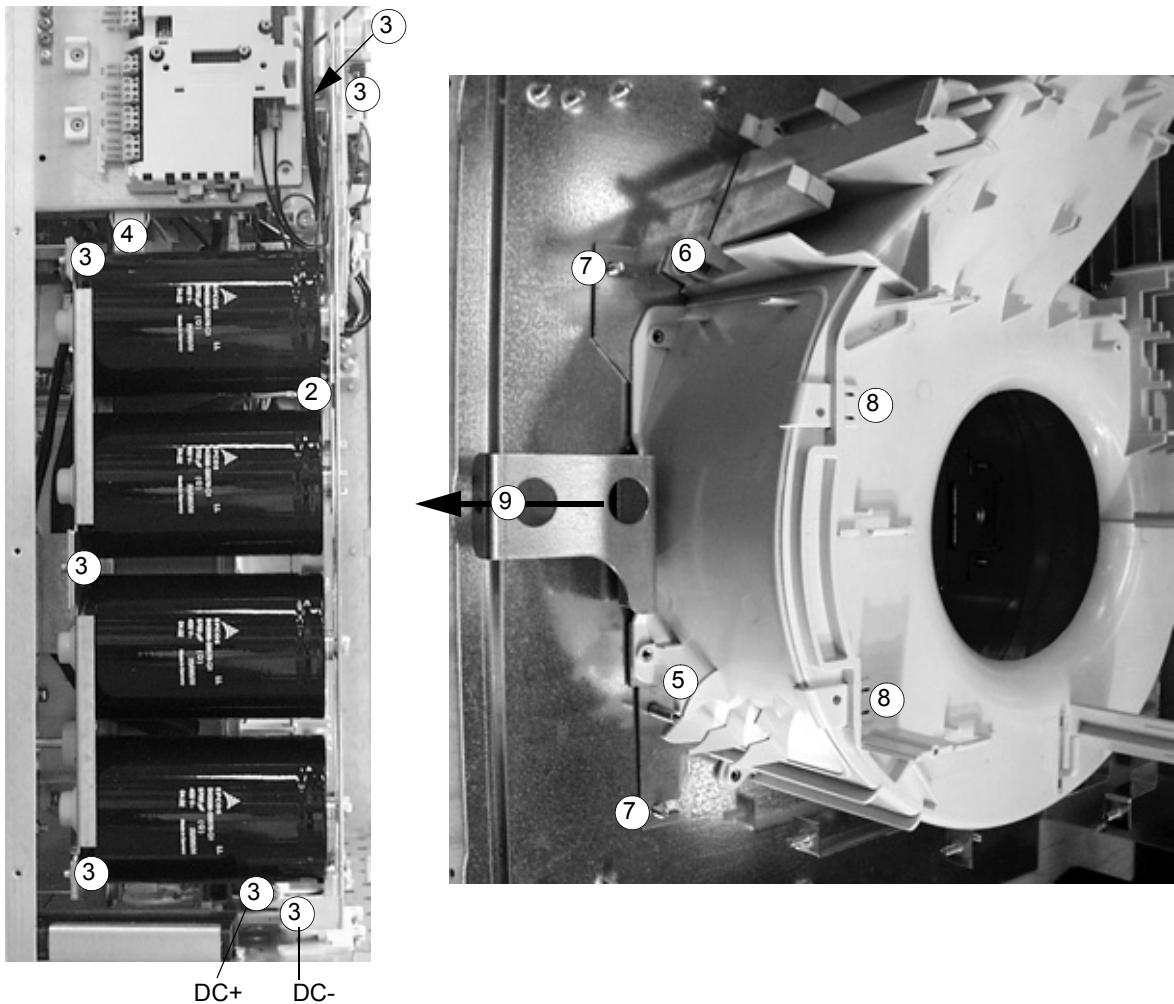
Fan

The actual lifespan of the fan depends on the running time of the fan ambient temperature and dust concentration. See the appropriate ACS800 firmware manual for the actual signal which indicates the running time of the cooling fan. For resetting the running time signal after a fan replacement, please contact ABB.

Replacement fans are available from ABB. Do not use other than ABB specified spare parts.

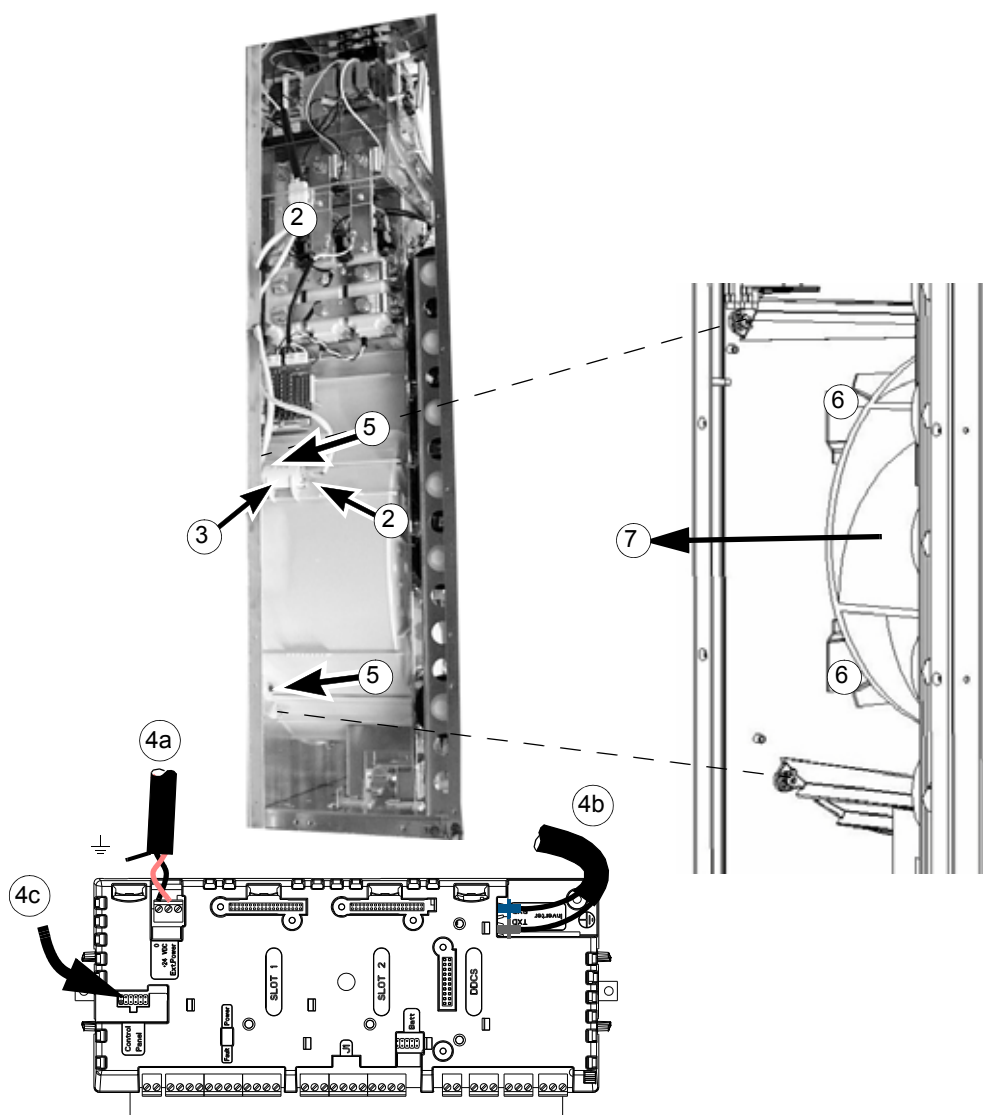
Replacing the fan (R7)

1. Remove the upper front cover and disconnect the control panel cables.
2. Disconnect the discharging resistor wire.
3. Remove the DC capacitor pack by undoing the red fixing screws and pulling the pack out.
4. Disconnect the fan supply wires (detachable connector).
5. Disconnect the fan capacitor wires and remove the fan capacitor.
6. Disconnect the AINP board wires from connectors X1 and X2.
7. Undo the red fixing screws of the fan cassette.
8. Press the snap-on holders to release the side cover.
9. Lift the handle and pull the fan cassette out.
10. Install the new fan and fan capacitor in reverse order to the above.



Replacing the fan (R8)

1. Remove the front covers by undoing the fixing screws and disconnecting the control panel cable.
2. Disconnect the fan capacitor and power supply wires.
3. Remove the fan capacitor.
4. Disconnect the power supply (a), fibre optic (b) and control panel (c) cables from the RMIO board.
5. Undo the red fastening screws of the plastic side cover of the fan. Shift the cover to the right to free its right-hand edge and lift the cover off.
6. Undo the red fastening screws of the fan.
7. Lift the fan out.
8. Install the new fan and fan capacitor in reverse order to the above.



Capacitors

The drive intermediate circuit employs several electrolytic capacitors. The life of a capacitor can be prolonged by lowering the ambient temperature.

It is not possible to predict a capacitor failure. Capacitor failure is usually followed by damage to the unit and an input cable fuse failure, or a fault trip. Contact ABB if capacitor failure is suspected. Replacements are available from ABB. Do not use other than ABB specified spare parts.

Reforming

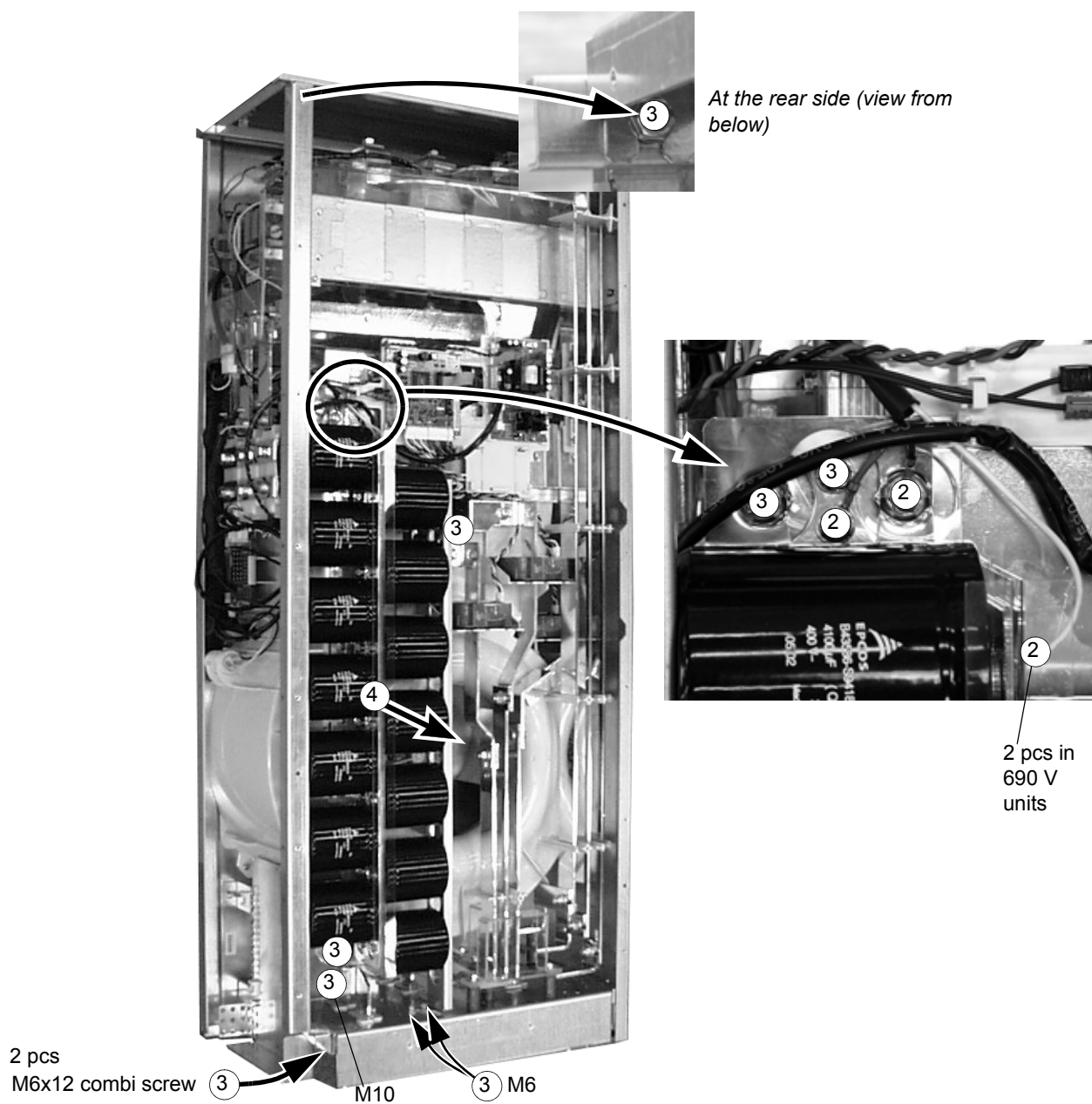
Reform (re-age) spare part capacitors once a year according to *Capacitor reforming instructions* (3BFE64059629 [English]).

Replacing the capacitor pack (R7)

Replace the capacitor pack as described in section [Replacing the fan \(R7\)](#).

Replacing the capacitor pack (R8)

1. Remove the upper front covers and disconnect the control panel cable. Remove the side plate equipped with the control panel mounting slot.
2. Disconnect the discharging resistor wires.
3. Undo the fastening screws.
4. Lift the capacitor pack out.
5. Install the new capacitor pack in reverse order to the above.



LEDs

This table describes LEDs of the drive.

Where	LED	When the LED is lit
RMIO board	Red	Drive in fault state
	Green	The power supply on the board is OK.
Control panel mounting platform	Red	Drive in fault state
	Green	The main + 24 V power supply for the control panel and the RMIO board is OK.
AINT board	V204 (green)	+5 V voltage of the board is OK.
	V310 (green)	IGBT control signal transmission to the gate driver control boards is enabled.

Technical data

What this chapter contains

This chapter contains the technical specifications of the drive, eg. the ratings, sizes and technical requirements, provisions for fulfilling the requirements for CE and other markings, and warranty policy.

IEC data

Ratings

The IEC ratings for the ACS800-02 with 50 Hz and 60 Hz supplies are given below. The symbols are described below the table.

ACS800-02 size	Nominal ratings		No-overload use	Light-overload use		Heavy-duty use		Frame size	Air flow m ³ /h	Heat dissipation W
	$I_{\text{cont.max}}$ A	I_{max} A	$P_{\text{cont.max}}$ kW	I_{2N} A	P_N kW	$I_{2\text{hd}}$ A	P_{hd} kW			
Three-phase supply voltage 208 V, 220 V, 230 V or 240 V										
-0080-2	214	326	55	211	55	170	45	R7	540	2900
-0100-2	253	404	75	248	75	202	55	R7	540	3450
-0120-2	295	432	90	290	90	240 ⁴⁾	55	R7	540	4050
-0140-2	405	588	110	396	110	316	90	R8	1220	5300
-0170-2	447	588	132	440	132	340	90	R8	1220	6100
-0210-2	528	588	160	516	160	370	110	R8	1220	6700
-0230-2	613	840	160	598	160	480	132	R8	1220	7600
-0260-2	693	1017	200	679	200	590 ²⁾	160	R8	1220	7850
-0300-2	720	1017	200	704	200	635 ³⁾	200	R8	1220	8300
Three-phase supply voltage 380 V, 400 V or 415 V										
-0140-3	206	326	110	202	110	163	90	R7	540	3000
-0170-3	248	404	132	243	132	202	110	R7	540	3650
-0210-3	289	432	160	284	160	240 ¹⁾	132	R7	540	4300
-0260-3	445	588	200	440	200	340	160	R8	1220	6600
-0320-3	521	588	250	516	250	370	200	R8	1220	7150
-0400-3	602	840	315	590	315	477	250	R8	1220	8100
-0440-3	693	1017	355	679	355	590 ²⁾	315	R8	1220	8650
-0490-3	720	1017	400	704	400	635 ³⁾	355	R8	1220	9100

ACS800-02 size	Nominal ratings		No-overload use	Light-overload use		Heavy-duty use		Frame size	Air flow m ³ /h	Heat dissipation W
	$I_{\text{cont.max}}$ A	I_{max} A		$P_{\text{cont.max}}$ kW	I_{2N} A	P_N kW	$I_{2\text{hd}}$ A			
Three-phase supply voltage 380 V, 400 V, 415 V, 440 V, 460 V, 480 V or 500 V										
-0170-5	196	326	132	192	132	162	110	R7	540	3000
-0210-5	245	384	160	240	160	192	132	R7	540	3800
-0260-5	289	432	200	284	200	224	160	R7	540	4500
-0320-5	440	588	250	435	250	340	200	R8	1220	6850
-0400-5	515	588	315	510	315	370	250	R8	1220	7800
-0440-5	550	840	355	545	355	490	315	R8	1220	7600
-0490-5	602	840	400	590	400	515 ²⁾	355	R8	1220	8100
-0550-5	684	1017	450	670	450	590 ²⁾	400	R8	1220	9100
-0610-5	718	1017	500	704	500	632 ³⁾	450	R8	1220	9700
Three-phase supply voltage 525 V, 550 V, 575 V, 600 V, 660 V or 690 V										
-0140-7	134	190	132	125	110	95	90	R7	540	2800
-0170-7	166	263	160	155	132	131	110	R7	540	3550
-0210-7	166/203*	294	160	165/195*	160*	147	132	R7	540	4250
-0260-7	175/230*	326	160/200*	175/212*	160/200*	163	160	R7	540	4800
-0320-7	315	433	315	290	250	216	200	R8	1220	6150
-0400-7	353	548	355	344	315	274	250	R8	1220	6650
-0440-7	396	656	400	387	355	328	315	R8	1220	7400
-0490-7	445	775	450	426	400	387	355	R8	1220	8450
-0550-7	488	853	500	482	450	426	400	R8	1220	8300
-0610-7	560	964	560	537	500	482	450	R8	1220	9750

PDM code: 00096931-G

- 1) 50% overload is available for one minute every 5 minutes if ambient temperature is less than 25 °C. If ambient temperature is 40 °C, max. available overload is 37%.
 - 2) 50% overload is available for one minute every 5 minutes if ambient temperature is less than 30 °C. If ambient temperature is 40 °C, max. available overload is 40%.
 - 3) 50% overload is available one minute every 5 minutes if ambient temperature is less than 20 °C. If ambient temperature is 40 °C, max. available overload is 30%.
 - 4) 50% overload is available one minute every 5 minutes if ambient temperature is less than 35 °C. If ambient temperature is 40 °C, max. available overload is 45%.
- * higher value applicable if output frequency is above 41 Hz

Symbols

Nominal ratings

$I_{\text{cont.max}}$ continuous rms output current. No overload capability at 40 °C.

I_{max} maximum output current. Available for 10 s at start, otherwise as long as allowed by drive temperature.

Typical ratings:

No-overload use

$P_{\text{cont.max}}$ typical motor power. The power ratings apply to most IEC 34 motors at the nominal voltage, 230 V, 400 V, 500 V or 690 V.

Light-overload use (10% overload capability)

I_{2N} continuous rms current. 10% overload is allowed for one minute every 5 minutes.

P_N typical motor power. The power ratings apply to most IEC 60034 motors at the nominal voltage, 230 V, 400 V, 500 V or 690 V.

Heavy-duty use (50% overload capability)

I_{2hd} continuous rms current. 50% overload is allowed for one minute every 5 minutes.

P_{hd} typical motor power. The power ratings apply to most IEC 60034 motors at the nominal voltage, 230 V, 400 V, 500 V or 690 V.

Sizing

The current ratings are the same regardless of the supply voltage within one voltage range. To achieve the rated motor power given in the table, the rated current of the drive must be higher than or equal to the rated motor current.

Note 1: The maximum allowed motor shaft power is limited to $1.5 \cdot P_{hd}$, $1.1 \cdot P_N$ or $P_{\text{cont.max}}$ (whichever value is greatest). If the limit is exceeded, motor torque and current are automatically restricted. The function protects the input bridge of the drive against overload. If the condition exists for 5 minutes, the limit is set to $P_{\text{cont.max}}$.

Note 2: The ratings apply at an ambient temperature of 40 °C (104 °F). At lower temperatures the ratings are higher (except I_{max}).

Note 3: Use the DriveSize PC tool for a more accurate dimensioning if the ambient temperature is below 40 °C (104 °F) or the drive is loaded cyclically.

Derating

The load capacity (current and power) decreases if the installation site altitude exceeds 1000 metres (3281 ft), or if the ambient temperature exceeds 40 °C (104 °F).

Temperature derating

In the temperature range +40 °C (+104 °F) to +50 °C (+122 °F), the rated output current is decreased 1% for every additional 1 °C (1.8 °F). The output current is calculated by multiplying the current given in the rating table by the derating factor.

Example If the ambient temperature is 50 °C (+122 °F), the derating factor is $100\% - 1 \frac{\%}{\text{°C}} \cdot 10 \text{ °C} = 90\%$ or 0.90. The output current is then $0.90 \cdot I_{2N}$, $0.90 \cdot I_{2hd}$ or $0.90 \cdot I_{\text{cont.max}}$.

Altitude derating

At altitudes from 1000 to 4000 m (3281 to 13123 ft) above sea level, the derating is 1% for every 100 m (328 ft). For a more accurate derating, use the DriveSize PC tool. See [Installation sites above 2000 metres \(6562 feet\)](#) on page 41.

Fuses

gG and aR fuses for protection against short-circuit in the input power cable or drive are listed below. Either fuse type may be used if it operates rapidly enough. Choose between gG and aR fuses according to the table under [Quick guide for selecting between gG and aR fuses](#) on page 88, or verify the operating time by **checking that the short-circuit current of the installation is at least the value given in the fuse table**. The short-circuit current can be calculated as follows:

$$I_{k2-ph} = \frac{U}{2 \cdot \sqrt{R_c^2 + (Z_k + X_c)^2}}$$

where

I_{k2-ph} = short-circuit current in symmetrical two-phase short-circuit (A)

U = network line-to-line voltage (V)

R_c = cable resistance (ohm)

$Z_k = z_k \cdot U_N^2 / S_N$ = transformer impedance (ohm)

z_k = transformer impedance (%)

U_N = transformer rated voltage (V)

S_N = nominal apparent power of the transformer (kVA)

X_c = cable reactance (ohm).

Calculation example

Drive:

- ACS800-02-0260-3
- supply voltage $U = 410$ V

Transformer:

- rated power $S_N = 3000$ kVA
- rated voltage (drive supply voltage) $U_N = 430$ V
- transformer impedance $z_k = 7.2\%$.

Supply cable:

- length = 170 m
- resistance/length = 0.112 ohm/km
- reactance/length = 0.0273 ohm/km.

$$Z_k = z_k \cdot \frac{U_N^2}{S_N} = 0.072 \cdot \frac{(430 \text{ V})^2}{3000 \text{ kVA}} = 4.438 \text{ mohm}$$

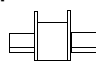
$$R_c = 170 \text{ m} \cdot 0.112 \frac{\text{ohm}}{\text{km}} = 19.04 \text{ mohm}$$

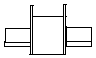
$$X_c = 170 \text{ m} \cdot 0.0273 \frac{\text{ohm}}{\text{km}} = 4.641 \text{ mohm}$$

$$I_{k2\text{-ph}} = \frac{410 \text{ V}}{2 \cdot \sqrt{(19.04 \text{ mohm})^2 + (4.438 \text{ mohm} + 4.641 \text{ mohm})^2}} = 9.7 \text{ kA}$$

The calculated short-circuit current 9.7 kA is higher than the minimum short-circuit current of the drive gG fuse type OFAF3H500 (8280 A). -> The 500 V gG fuse (ABB Control OFAF3H500) can be used.

Fuse tables

Ultrarapid (aR) fuses								
ACS800-02 size	Input current A	Min. short-circuit current ¹⁾ A	Fuse					
			A	A ² s	V	Manufacturer	Type DIN 43620 	Size
Three-phase supply voltage 208 V, 220 V, 230 V or 240 V								
-0080-2	201	1810	400	105 000	690	Bussmann	170M3819D	DIN1*
-0100-2	239	2210	500	145 000	690	Bussmann	170M5810D	DIN2*
-0120-2	285	2620	550	190 000	690	Bussmann	170M5811D	DIN2*
-0140-2	391	4000	800	465 000	690	Bussmann	170M6812D	DIN3
-0170-2	428	4000	800	465 000	690	Bussmann	170M6812D	DIN3
-0210-2	506	5550	1000	945 000	690	Bussmann	170M6814D	DIN3
-0230-2	599	7800	1250	1 950 000	690	Bussmann	170M8554D	DIN3
-0260-2	677	8850	1400	3 900 000	690	Bussmann	170M8555D	DIN3
-0300-2	707	8850	1400	3 900 000	690	Bussmann	170M8555D	DIN3
Three-phase supply voltage 380 V, 400 V or 415 V								
-0140-3	196	1810	400	105 000	690	Bussmann	170M3819D	DIN1*
-0170-3	237	2210	500	145 000	690	Bussmann	170M5810D	DIN2*
-0210-3	286	2620	550	190 000	690	Bussmann	170M5811D	DIN2*
-0260-3	438	4000	800	465 000	690	Bussmann	170M6812D	DIN3
-0320-3	501	5550	1000	945 000	690	Bussmann	170M6814D	DIN3
-0400-3	581	7800	1250	1 950 000	690	Bussmann	170M8554D	DIN3
-0440-3	674	8850	1400	3 900 000	690	Bussmann	170M8555D	DIN3
-0490-3	705	8850	1400	3 900 000	690	Bussmann	170M8555D	DIN3
Three-phase supply voltage 380 V, 400 V, 415 V, 440 V, 460 V, 480 V or 500 V								
-0170-5	191	1810	400	105 000	690	Bussmann	170M3819D	DIN1*
-0210-5	243	2210	500	145 000	690	Bussmann	170M5810D	DIN2*
-0260-5	291	2620	550	190 000	690	Bussmann	170M5811D	DIN2*
-0320-5	424	4000	800	465 000	690	Bussmann	170M6812D	DIN3
-0400-5	498	5550	1000	945 000	690	Bussmann	170M6814D	DIN3
-0440-5	543	7800	1250	1 950 000	690	Bussmann	170M8554D	DIN3
-0490-5	590	7800	1250	1 950 000	690	Bussmann	170M8554D	DIN3
-0550-5	669	8850	1400	3 900 000	690	Bussmann	170M8555D	DIN3
-0610-5	702	8850	1400	3 900 000	690	Bussmann	170M8555D	DIN3

Ultraprapid (aR) fuses								
ACS800-02 size	Input current A	Min. short-circuit current ¹⁾ A	Fuse					
			A	A ² s	V	Manufacturer	Type DIN 43620 	Size
Three-phase supply voltage 525 V, 550 V, 575 V, 600 V, 660 V or 690 V								
-0140-7	126	1520	350	68 500	690	Bussmann	170M3818D	DIN1*
-0170-7	156	1520	350	68 500	690	Bussmann	170M3818D	DIN1*
-0210-7	191	1610	400	74 000	690	Bussmann	170M5808D	DIN2*
-0260-7	217	1610	400	74 000	690	Bussmann	170M5808D	DIN2*
-0320-7	298	3010	630	275 000	690	Bussmann	170M5812D	DIN2*
-0400-7	333	2650	630	210 000	690	Bussmann	170M6810D	DIN2*
-0440-7	377	4000	800	465 000	690	Bussmann	170M6812D	DIN3
-0490-7	423	4790	900	670 000	690	Bussmann	170M6813D	DIN3
-0550-7	468	4790	900	670 000	690	Bussmann	170M6813D	DIN3
-0610-7	533	5550	1000	945 000	690	Bussmann	170M6814D	DIN3
<p>A²s value for -7 units at 660 V</p> <p>¹⁾ minimum short-circuit current of the installation</p> <p>Note 1: See also <i>Planning the electrical installation: Thermal overload and short-circuit protection</i>. For UL recognized fuses, see <i>NEMA data</i> on page 91.</p> <p>Note 2: In multicable installations, install only one fuse per phase (not one fuse per conductor).</p> <p>Note 3: Larger fuses than the recommended ones must not be used.</p> <p>Note 4: Fuses from other manufacturers can be used if they meet the ratings and the melting curve of the fuse does not exceed the melting curve of the fuse mentioned in the table.</p>								

PDM code: 00096931-G, 00556489

gG fuses								
ACS800-02 size	Input current A	Min. short-circuit current ¹⁾ A	Fuse					
			A	A ² s	V	Manufacturer	Type	IEC size
Three-phase supply voltage 208 V, 220 V, 230 V or 240 V								
-0080-2	201	3820	250	550 000	500	ABB Control	OFAF1H250	1
-0100-2	239	4510	315	1 100 000	500	ABB Control	OFAF2H315	2
-0120-2	285	4510	315	1 100 000	500	ABB Control	OFAF2H315	2
-0140-2	391	8280	500	2 900 000	500	ABB Control	OFAF3H500	3
-0170-2	428	8280	500	2 900 000	500	ABB Control	OFAF3H500	3
-0210-2	506	10200	630	4 000 000	500	ABB Control	OFAF3H630	3
-0230-2	599	10200	630	4 000 000	500	ABB Control	OFAF3H630	3
-0260-2	677	13500	800	7 400 000	500	ABB Control	OFAF3H800	3
-0300-2	707	13500	800	7 400 000	500	ABB Control	OFAF3H800	3
Three-phase supply voltage 380 V, 400 V or 415 V								
-0140-3	196	3820	250	550 000	500	ABB Control	OFAF1H250	1
-0170-3	237	4510	315	1 100 000	500	ABB Control	OFAF2H315	2
-0210-3	286	4510	315	1 100 000	500	ABB Control	OFAF2H315	2
-0260-3	438	8280	500	2 900 000	500	ABB Control	OFAF3H500	3
-0320-3	501	10200	630	4 000 000	500	ABB Control	OFAF3H630	3
-0400-3	581	10200	630	4 000 000	500	ABB Control	OFAF3H630	3
-0440-3	674	13500	800	7 400 000	500	ABB Control	OFAF3H800	3
-0490-3	705	13500	800	7 400 000	500	ABB Control	OFAF3H800	3

gG fuses								
ACS800-02 size	Input current A	Min. short-circuit current ¹⁾ A	Fuse					
			A	A ² s	V	Manufacturer	Type	IEC size
Three-phase supply voltage 380 V, 400 V, 415 V, 440 V, 460 V, 480 V or 500 V								
-0170-5	191	3820	250	550 000	500	ABB Control	OFAF1H250	1
-0210-5	243	4510	315	1 100 000	500	ABB Control	OFAF2H315	2
-0260-5	291	4510	315	1 100 000	500	ABB Control	OFAF2H315	2
-0320-5	424	8280	500	2 900 000	500	ABB Control	OFAF3H500	3
-0400-5	498	10200	630	4 000 000	500	ABB Control	OFAF3H630	3
-0440-5	543	10200	630	4 000 000	500	ABB Control	OFAF3H630	3
-0490-5	590	10200	630	4 000 000	500	ABB Control	OFAF3H630	3
-0550-5	669	13500	800	7 400 000	500	ABB Control	OFAF3H800	3
-0610-5	702	13500	800	7 400 000	500	ABB Control	OFAF3H800	3
Three-phase supply voltage 525 V, 550 V, 575 V, 600 V, 660 V or 690 V								
-0140-7	126	2400	160	220 000	690	ABB Control	OFAA1GG160	1
-0170-7	156	2850	200	350 000	690	ABB Control	OFAA1GG200	1
-0210-7	191	3820	250	700 000	690	ABB Control	OFAA2GG250	2
-0260-7	217	3820	250	700 000	690	ABB Control	OFAA2GG250	2
-0320-7	298	4510	315	820 000	690	ABB Control	OFAA2GG315	2
-0400-7	333	6180	400	1 300 000	690	ABB Control	OFAA3GG400	3
-0440-7	377	8280	500	3 800 000	690	ABB Control	OFAA3H500	3
-0490-7	423	8280	500	3 800 000	690	ABB Control	OFAA3H500	3
-0550-7	468	8280	500	3 800 000	690	ABB Control	OFAA3H500	3
-0610-7	533	10800	630	10 000 000	690	Bussmann	630NH3G-690 **	3
<p>** rated braking capacity only up to 50 kA</p> <p>¹⁾ minimum short-circuit current of the installation</p> <p>Note 1: See also <i>Planning the electrical installation: Thermal overload and short-circuit protection</i>. For UL recognized fuses, see <i>NEMA data</i> on page 91.</p> <p>Note 2: In multicable installations, install only one fuse per phase (not one fuse per conductor).</p> <p>Note 3: Larger fuses than the recommended ones must not be used.</p> <p>Note 4: Fuses from other manufacturers can be used if they meet the ratings and the melting curve of the fuse does not exceed the melting curve of the fuse mentioned in the table.</p>								

PDM code: 00096931-G, 00556489

Quick guide for selecting between gG and aR fuses

The table below is a short cut in selecting between gG and aR fuses. The combinations (cable size, cable length, transformer size and fuse type) in the table fulfil the minimum requirements for the proper operation of the fuse.

ACS800-02 size	Cable type		Supply transformer minimum apparent power S_N (kVA)					
	Copper	Aluminium	Maximum cable length with gG fuses			Maximum cable length with aR fuses		
			10 m	50 m	100 m	10 m	100 m	200 m
Three-phase supply voltage 208 V, 220 V, 230 V or 240 V								
-0080-2	3×120 Cu	3×185 Al	120	150	-	81	81	-
-0100-2	3×150 Cu	3×240 Al	140	170	-	96	96	-
-0120-2	3×240 Cu	2 × (3×95) Al	140	170	-	120	120	-
-0140-2	2 × (3×120) Cu	3 × (3×95) Al	250	320	-	160	160	-
-0170-2	2 × (3×120) Cu	3 × (3×95) Al	250	320	-	180	180	-
-0210-2	3 × (3×95) Cu	2 × (3×240) Al	310	400	-	210	230	-
-0230-2	3 × (3×120) Cu	3 × (3×185) Al	310	400	-	240	340	-
-0260-2	3 × (3×150) Cu	3 × (3×240) Al	410	510	-	270	380	-
-0300-2	3 × (3×150) Cu	3 × (3×240) Al	410	510	-	290	380	-
Three-phase supply voltage 380 V, 400 V or 415 V								
-0140-3	3×120 Cu	3×185 Al	200	220	260	160	160	160
-0170-3	3×150 Cu	3×240 Al	240	260	310	170	170	170
-0210-3	3×240 Cu	2 × (3×120) Al	240	260	310	200	200	200
-0260-3	3 × (3×70) Cu	3 × (3×120) Al	430	460	560	310	310	310
-0320-3	3 × (3×95) Cu	2 × (3×240) Al	530	600	750	350	350	440
-0400-3	3 × (3×120) Cu	3 × (3×185) Al	530	600	750	410	470	660
-0440-3	3 × (3×150) Cu	3 × (3×240) Al	700	770	930	470	530	730
-0490-3	3 × (3×150) Cu	3 × (3×240) Al	700	770	930	490	530	730
Three-phase supply voltage 380 V, 400 V, 415 V, 440 V, 460 V, 480 V or 500 V								
-0170-5	3×120 Cu	3×150 Al	250	270	310	200	200	200
-0210-5	3×150 Cu	3×240 Al	290	320	360	220	220	220
-0260-5	3×240 Cu	2 × (3×120) Al	290	320	360	260	260	260
-0320-5	2 × (3×120) Cu	3 × (3×95) Al	530	570	670	370	370	370
-0400-5	2 × (3×150) Cu	2 × (3×240) Al	660	720	840	440	440	480
-0440-5	3 × (3×95) Cu	3 × (3×150) Al	660	720	840	500	570	760
-0490-5	3 × (3×120) Cu	3 × (3×185) Al	660	720	840	520	570	760
-0550-5	2 × (3×240) Cu	3 × (3×240) Al	880	980	1200	580	670	880
-0610-5	3 × (3×150) Cu	3 × (3×240) Al	880	980	1200	610	670	880
Three-phase supply voltage 525 V, 550 V, 575 V, 600 V, 660 V or 690 V								
-0140-7	3×70 Cu	3×95 Al	220	220	240	160	160	160
-0170-7	3×95 Cu	3×120 Al	260	260	280	190	190	190
-0210-7	3×120 Cu	3×150 Al	340	360	390	230	230	230
-0260-7	3×150 Cu	3×185 Al	340	360	390	260	260	260
-0320-7	3×240 Cu	2 × (3×120) Al	400	410	430	360	360	360
-0400-7	3×240 Cu	3 × (3×70) Al	550	570	610	400	400	400
-0440-7	2 × (3×120) Cu	2 × (3×150) Al	730	780	860	460	460	460
-0490-7	2 × (3×120) Cu	3 × (3×95) Al	730	780	860	510	510	510
-0550-7	2 × (3×150) Cu	3 × (3×120) Al	730	780	860	560	560	560
-0610-7	3 × (3×95) Cu	3 × (3×150) Al	960	1000	1100	640	640	640

PDM code: 00556489 A

Note 1: The supply transformer minimum power in kVA is calculated with a z_k value of 6% and frequency 50 Hz.

Note 2: The table is not intended for transformer selection - that must be done separately.

The following parameters can effect on the correct operation of the protection:

- cable length, ie. the longer the cable the weaker the fuse protection, as the long cable limits the fault current
- cable size, ie. the smaller the cable cross-section the weaker the fuse protection, as the small cable size limits the fault current
- transformer size, ie. the smaller the transformer the weaker the fuse protection, as the small transformer limits the fault current
- transformer impedance, ie. the higher the z_k the weaker the fuse protection as high impedance limits the fault current.

The protection can be improved by installing a bigger supply transformer and/or bigger cables, and in most cases by selecting aR fuses instead of gG fuses. Selection of smaller fuses improves the protection, but may also affect the fuse life time and lead to unnecessary operation of the fuses.

In case of any uncertainty regarding the drive protection, please contact your local ABB.

Cable types

The table below gives copper and aluminium cable types for different load currents. Cable sizing is based on max. 9 cables laid on a cable ladder side by side, ambient temperature 30 °C, PVC insulation, surface temperature 70 °C (EN 60204-1 and IEC 60364-5-52/2001). For other conditions, size the cables according to local safety regulations, appropriate input voltage and the load current of the drive.

Copper cables with concentric copper shield		Aluminium cables with concentric copper shield	
Max. load current A	Cable type mm ²	Max. load current A	Cable type mm ²
56	3×16	69	3×35
71	3×25	83	3×50
88	3×35	107	3×70
107	3×50	130	3×95
137	3×70	151	3×120
167	3×95	174	3×150
193	3×120	199	3×185
223	3×150	235	3×240
255	3×185	214	2 × (3×70)
301	3×240	260	2 × (3×95)
274	2 × (3×70)	302	2 × (3×120)
334	2 × (3×95)	348	2 × (3×150)
386	2 × (3×120)	398	2 × (3×185)
446	2 × (3×150)	470	2 × (3×240)
510	2 × (3×185)	522	3 × (3×150)
602	2 × (3×240)	597	3 × (3×185)
579	3 × (3×120)	705	3 × (3×240)
669	3 × (3×150)		
765	3 × (3×185)		
903	3 × (3×240)		

3BFA 01051905 C

Cable entries

Mains, motor and brake resistor cable terminal sizes (per phase), maximum accepted cable diameters and tightening torques are given below. The maximum allowed width of the cable lug is 38 mm.

Frame size	U1, V1, W1, U2, V2, W2 UDC+/R+, UDC-, R-				Earthing PE	
	Number of holes per phase	Cable Ø mm	Screw	Tightening torque Nm	Screw	Tightening torque Nm
R7	2	58	M12	50...75	M8	15...22
R8	3	58	M12	50...75	M8	15...22

Dimensions, weights and noise

Frame size	IP21			W2 kg	Noise dB
	H mm	W1 mm	Depth mm		
R7	1507	250	524	110	71
R8	2024	347	622	240	72

H height without lifting lugs

W1 width of the basic unit

W2 weight of the basic unit

NEMA data

Ratings

The NEMA ratings for the ACS800-U2 and ACS800-02 with 60 Hz supplies are given below. The symbols are described below the table. For sizing, derating and 50 Hz supplies, see [IEC data](#).

ACS800-U2 size ACS800-02 size	I_{max} A	Normal use		Heavy-duty use		Frame size	Air flow ft ³ /min	Heat dissipation BTU/Hr
		I_{2N} A	P_N HP	I_{2hd} A	P_{hd} HP			
Three-phase supply voltage 208 V, 220 V, 230 V or 240 V								
-0080-2	326	211	75	170	60	R7	318	9900
-0100-2	404	248	100	202	75	R7	318	11750
-0120-2	432	290	100	240 ⁴⁾	75	R7	318	13750
-0140-2	588	396	150	316	125	R8	718	18100
-0170-2	588	440	150	340	125	R8	718	20800
-0210-2	588	516	200	370	150	R8	718	22750
-0230-2	840	598	200	480	200	R8	718	25900
-0260-2	1017	679	250	590 ³⁾	200	R8	718	26750
-0300-2	1017	704	250	635 ³⁾	250	R8	718	28300
Three-phase supply voltage 380 V, 400 V, 415 V, 440 V, 460 V , 480 V								
-0170-5	326	192	150	162	125	R7	318	10100
-0210-5	384	240	200	192	150	R7	318	12900
-0260-5	432	289 ¹⁾	250 ²⁾	224	150	R7	318	15300
-0270-5 **	480	316	250	240	200	R8	718	23250
-0300-5 **	568	361	300	302	250	R8	718	26650
-0320-5	588	435	350	340	250	R8	718	25950
-0400-5	588	510	400	370	300	R8	718	27600
-0440-5	840	545	450	490	400	R8	718	31100
-0490-5	840	590	500	515 ³⁾	450	R8	718	33000
-0550-5	1017	670	550	590 ³⁾	500	R8	718	31100
-0610-5	1017	718 ⁴⁾	600	590 ³⁾	500	R8	718	33000
Three-phase supply voltage 525 V, 575 V or 600 V								
-0140-7	190	125	125	95	100 ²⁾	R7	318	9600
-0170-7	263	155	150	131	125	R7	318	12150
-0210-7	294	165/195*	150/200*	147	150	R7	318	14550
-0260-7	326	175/212*	150/200*	163	150	R7	318	16400
-0320-7	433	290	300	216	200	R8	718	21050
-0400-7	548	344	350	274	250	R8	718	22750
-0440-7	656	387	400	328	350	R8	718	25450
-0490-7	775	426	450	387	400	R8	718	28900
-0550-7	853	482	500	426	450	R8	718	31250
-0610-7	964	537	500	482	500	R8	718	33300

PDM code: 00096931-G

- 1) available if ambient temperature is less than 30 °C (86 °F). If ambient temperature is 40 °C (104 °F), I_{2N} is 286 A.
- 2) special 4-pole high-efficiency NEMA motor

- 3) 50% overload is allowed for one minute every five minutes if ambient temperature is less than 30 °C. 40% overload is allowed if ambient temperature is 40 °C.
- 4) available if ambient temperature is less than 30 °C (86 °F). If ambient temperature is 40 °C (104 °F), I_{2N} is 704 A.
- * higher value available if output frequency is above 41 Hz
- ** ACS800-U2 types only

Symbols

I_{max} maximum output current. Available for 10 s at start, otherwise as long as allowed by drive temperature.

Normal use (10% overload capability)

I_{2N} continuous rms current. 10% overload is typically allowed for one minute every 5 minutes.

P_N typical motor power. The power ratings apply to most 4-pole NEMA rated motors (230 V, 460 V or 575 V).

Heavy-duty use (50% overload capability)

I_{2hd} continuous rms current. 50% overload is typically allowed for one minute every 5 minutes.

P_{hd} typical motor power. The power ratings apply to most 4-pole NEMA rated motors (230 V, 460 V or 575 V).

Note: The ratings apply at an ambient temperature of 40 °C (104 °F). At lower temperatures the ratings are higher.

Sizing

See page [83](#).

Derating

See page [83](#).

Fuses

UL class T or L fuses for branch circuit protection per NEC are listed below. Fast acting class T or faster fuses are recommended in the USA.

Check from the fuse time-current curve that the operating time of the fuse is below 0.1 seconds. The operating time depends on the supply network impedance and the cross-sectional area and length of the supply cable. The short-circuit current can be calculated as shown in section [Fuses](#) on page [84](#).

UL class T and L fuses

ACS800-U2 type	Input current A	Fuse				
		A	V	Manufacturer	Type	UL class
Three-phase supply voltage 208 V, 220 V, 230 V or 240 V						
-0080-2	201	250	600	Bussmann	JJS-250	T
-0100-2	239	300	600	Bussmann	JJS-300	T
-0120-2	285	400	600	Bussmann	JJS-400	T
-0140-2	391	500	600	Bussmann	JJS-500	T
-0170-2	428	600	600	Bussmann	JJS-600	T
-0210-2	506	600	600	Bussmann	JJS-600	T
-0230-2	599	800	600	Ferraz	A4BY800	L
-0260-2	677	800	600	Ferraz	A4BY800	L
-0300-2	707	900	600	Ferraz	A4BY900	L
Three-phase supply voltage 380 V, 400 V, 415 V, 440 V, 460 V , 480 V						
-0170-5	175	250	600	Bussmann	JJS-250	T
-0210-5	220	300	600	Bussmann	JJS-300	T
-0260-5	267	400	600	Bussmann	JJS-400	T
-0270-5	293	500	600	Bussmann	JJS-500	T
-0300-5	331	500	600	Bussmann	JJS-500	T
-0320-5	397	500	600	Bussmann	JJS-500	T
-0400-5	467	600	600	Bussmann	JJS-600	T
-0440-5	501	800	600	Ferraz	A4BY800	L
-0490-5	542	800	600	Ferraz	A4BY800	L
-0550-5	614	900	600	Ferraz	A4BY900	L
-0610-5	661	900	600	Ferraz	A4BY900	L
Three-phase supply voltage 525 V, 575 V or 600 V						
-0140-7	117	200	600	Bussmann	JJS-200	T
-0170-7	146	200	600	Bussmann	JJS-200	T
-0210-7	184	250	600	Bussmann	JJS-250	T
-0260-7	199	300	600	Bussmann	JJS-300	T
-0320-7	273	500	600	Bussmann	JJS-500	T
-0400-7	325	500	600	Bussmann	JJS-500	T
-0440-7	370	500	600	Bussmann	JJS-500	T
-0490-7	407	600	600	Bussmann	JJS-600	T
-0550-7	463	600	600	Bussmann	JJS-600	T
-0610-7	513	700	600	Ferraz	A4BY700	L
<p>Note 1: See also <i>Planning the electrical installation: Thermal overload and short-circuit protection</i>.</p> <p>Note 2: In multicable installations, install only one fuse per phase (not one fuse per conductor).</p> <p>Note 3: Larger fuses than the recommended ones must not be used.</p> <p>Note 4: Fuses from other manufacturers can be used if they meet the ratings and the melting curve of the fuse does not exceed the melting curve of the fuse mentioned in the table.</p>						

PDM code: 00096931-G

Cable types

Cable sizing is based on NEC Table 310-16 for copper wires, 75 °C (167 °F) wire insulation at 40 °C (104 °F) ambient temperature. Not more than three current-carrying conductors in raceway or cable or earth (directly buried). For other conditions, dimension the cables according to local safety regulations, appropriate input voltage and the load current of the drive.

Copper cables with concentric copper shield	
Max. load current A	Cable type
	AWG/kcmil
57	6
75	4
88	3
101	2
114	1
132	1/0
154	2/0
176	3/0
202	4/0
224	250 MCM or 2 x 1
251	300 MCM or 2 x 1/0
273	350 MCM or 2 x 2/0
295	400 MCM or 2 x 2/0
334	500 MCM or 2 x 3/0
370	600 MCM or 2 x 4/0 or 3 x 1/0
405	700 MCM or 2 x 4/0 or 3 x 2/0
449	2 x 250 MCM or 3 x 2/0
502	2 x 300 MCM or 3 x 3/0
546	2 x 350 MCM or 3 x 4/0
590	2 x 400 MCM or 3 x 4/0
669	2 x 500 MCM or 3 x 250 MCM
739	2 x 600 MCM or 3 x 300 MCM
810	2 x 700 MCM or 3 x 350 MCM
884	3 x 400 MCM or 4 x 250 MCM
1003	3 x 500 MCM or 4 x 300 MCM
1109	3 x 600 MCM or 4 x 400 MCM
1214	3 x 700 MCM or 4 x 500 MCM

Cable entries

Input, motor and brake resistor cable terminal sizes (per phase) and tightening torques are given below. The maximum allowed width of the cable lug is 1.5 inches.

Frame size	U1, V1, W1, U2, V2, W2, UDC+/R+, UDC-, R-		Grounding PE	
	Screw	Tightening torque lbf ft	Screw	Tightening torque lbf ft
R7	1/2	37...55	5/16	11...16
R8	1/2	37...55	5/16	11...16

Dimensions, weights and noise

Frame size	UL type 1			W2 lb	Noise dB
	H1 in.	W1 in.	Depth in.		
R7	59.31	9.82	20.65	243	71
R8	79.67	13.66	24.47	529	72

H height without lifting lugs

W1 width of the basic unit

W2 weight of the basic unit

Input power connection

Voltage (U_1)	208/220/230/240 V AC 3-phase $\pm 10\%$ for 230 V AC units 380/400/415 V AC 3-phase $\pm 10\%$ for 400 V AC units 380/400/415/440/460/480/500 V AC 3-phase $\pm 10\%$ for 500 V AC units 525/550/575/600/660/690 V AC 3-phase $\pm 10\%$ for 690 V AC units
Short-circuit withstand strength (IEC 60439-1)	Maximum allowable prospective short-circuit current when protected by fuses given in the IEC data fuse tables is 65 kA (I_{cc}).
Short-circuit current protection (UL 508, CSA C22.2 No. 14-05)	US and Canada: According to UL 508C and UL 508A the drive is suitable for use on a circuit capable of delivering not more than 100 kA symmetrical amperes (rms) at 600 V maximum when protected by fuses given in the NEMA data fuse table.
Frequency	48 to 63 Hz, maximum rate of change 17%/s
Imbalance	Max. $\pm 3\%$ of nominal phase to phase input voltage
Fundamental power factor ($\cos \phi_1$)	0.98 (at nominal load)

Motor connection

Voltage (U_2)	0 to U_1 , 3-phase symmetrical, U_{max} at the field weakening point											
Frequency	DTC mode: 0 to $3.2 \cdot f_{FWP}$. Maximum frequency 300 Hz. $f_{FWP} = \frac{U_{Nmains}}{U_{Nmotor}} \cdot f_{Nmotor}$ <p>f_{FWP}: frequency at field weakening point; U_{Nmains}: mains (input power) voltage; U_{Nmotor}: rated motor voltage; f_{Nmotor}: rated motor frequency</p>											
Frequency resolution	0.01 Hz											
Current	See section IEC data .											
Power limit	$1.5 \cdot P_{hd}$, $1.1 \cdot P_N$ or $P_{cont.max}$ (whichever value is greatest)											
Field weakening point	8 to 300 Hz											
Switching frequency	3 kHz (average). In 690 V units 2 kHz (average).											
Maximum recommended motor cable length	<table border="1"> <thead> <tr> <th rowspan="2">Type code (EMC equipment)</th> <th colspan="2">Max. motor cable length</th> </tr> <tr> <th>DTC control</th> <th>Scalar control</th> </tr> </thead> <tbody> <tr> <td>-</td> <td>300 m (984 ft)</td> <td>300 m (984 ft)</td> </tr> <tr> <td>+E202 *, +E210 *</td> <td>100 m (328 ft)</td> <td>100 m (328 ft)</td> </tr> </tbody> </table> <p>* Motor cable longer than 100 m (328 ft) is allowed but then the EMC Directive requirements may not be fulfilled.</p>	Type code (EMC equipment)	Max. motor cable length		DTC control	Scalar control	-	300 m (984 ft)	300 m (984 ft)	+E202 *, +E210 *	100 m (328 ft)	100 m (328 ft)
Type code (EMC equipment)	Max. motor cable length											
	DTC control	Scalar control										
-	300 m (984 ft)	300 m (984 ft)										
+E202 *, +E210 *	100 m (328 ft)	100 m (328 ft)										

Efficiency

Approximately 98% at nominal power level

Cooling

Method	Internal fan, flow direction from front to top
Free space around the unit	See chapter Installation .
Cooling air flow	See IEC data .

Degrees of protection

IP21 (UL type 1)

Ambient conditions

Environmental limits for the drive are given below. The drive is to be used in a heated, indoor, controlled environment.

	Operation installed for stationary use	Storage in the protective package	Transportation in the protective package
Installation site altitude	0 to 4000 m (13123 ft) above sea level [above 1000 m (3281 ft), see section <i>Derating</i>]	-	-
Air temperature	-15 to +50 °C (5 to 122 °F). No frost allowed. See section <i>Derating</i> .	-40 to +70 °C (-40 to +158 °F)	-40 to +70 °C (-40 to +158 °F)
Relative humidity	5 to 95%	Max. 95%	Max. 95%
	No condensation allowed. Maximum allowed relative humidity is 60% in the presence of corrosive gases.		
Contamination levels (IEC 60721-3-3, IEC 60721-3-2, IEC 60721-3-1)	No conductive dust allowed.		
	Boards without coating: Chemical gases: Class 3C1 Solid particles: Class 3S2 Boards with coating: Chemical gases: Class 3C2 Solid particles: Class 3S2	Boards without coating: Chemical gases: Class 1C2 Solid particles: Class 1S3 Boards with coating: Chemical gases: Class 1C2 Solid particles: Class 1S3	Boards without coating: Chemical gases: Class 2C2 Solid particles: Class 2S2 Boards with coating: Chemical gases: Class 2C2 Solid particles: Class 2S2
Atmospheric pressure	70 to 106 kPa 0.7 to 1.05 atmospheres	70 to 106 kPa 0.7 to 1.05 atmospheres	60 to 106 kPa 0.6 to 1.05 atmospheres
Vibration (IEC 60068-2)	Max. 1 mm (0.04 in.) (5 to 13.2 Hz), max. 7 m/s ² (23 ft/s ²) (13.2 to 100 Hz) sinusoidal	Max. 1 mm (0.04 in.) (5 to 13.2 Hz), max. 7 m/s ² (23 ft/s ²) (13.2 to 100 Hz) sinusoidal	Max. 3.5 mm (0.14 in.) (2 to 9 Hz), max. 15 m/s ² (49 ft/s ²) (9 to 200 Hz) sinusoidal
Shock (IEC 60068-2-27)	Not allowed	Max. 100 m/s ² (330 ft./s ²), 11 ms	Max. 100 m/s ² (330 ft./s ²), 11 ms
Free fall	Not allowed	100 mm (4 in.) for weight over 100 kg (220 lb)	100 mm (4 in.) for weight over 100 kg (220 lb)

Materials

Drive enclosure	<ul style="list-style-type: none"> • PC/ABS 2.5 mm, colour NCS 1502-Y (RAL 90021 / PMS 420 C) • hot-dip zinc coated steel sheet 1.5 to 2.5 mm, thickness of coating 100 micrometres, colour NCS 1502-Y
Package	Cardboard and plywood. Plastic covering of the package: PE-LD, strap PP or steel.
Disposal	<p>The drive contains raw materials that should be recycled to preserve energy and natural resources. The package materials are environmentally compatible and recyclable. All metal parts can be recycled. The plastic parts can either be recycled or burned under controlled circumstances, according to local regulations. Most recyclable parts are marked with recycling marks.</p> <p>If recycling is not feasible, all parts excluding electrolytic capacitors and printed circuit boards can be landfilled. The DC capacitors (C1-1 to C1-x) contain electrolyte and the printed circuit boards contain lead, both of which are classified as hazardous waste within the EU. They must be removed and handled according to local regulations.</p> <p>For further information on environmental aspects and more detailed recycling instructions, please contact your local ABB distributor.</p>

Applicable standards

	The drive complies with the following standards. The compliance with the European Low Voltage Directive is verified according to standards EN 61800-5-2: 2007 and EN 60204-1: 2006/ AC: 2010.
<ul style="list-style-type: none"> • EN 61800-5-2: 2007 • EN 60204-1: 2006/ AC: 2010 	Adjustable speed electrical power drive systems - Part 5-2: Safety requirements – Functional Safety of machinery. Electrical equipment of machines - Part 1: General requirements. <i>Provisions for compliance:</i> The final assembler of the machine is responsible for installing - an emergency-stop device - a supply disconnecting device.
<ul style="list-style-type: none"> • EN 60529: 1991 + corrigendum May 1993 + A1:2000 	Degrees of protection provided by enclosures (IP codes)
<ul style="list-style-type: none"> • EN 62061:2005/ AC: 2010 	Safety of machinery - Functional safety of safety-related electrical, electronic and programmable electronic control systems
<ul style="list-style-type: none"> • EN 61800-3:2004) 	Adjustable speed electrical power drive systems. Part 3: EMC requirements and specific test methods
<ul style="list-style-type: none"> • EN 50178:1997 	Safety of machinery - Electrical equipment of machines - Part 1: General requirements
<ul style="list-style-type: none"> • EN ISO 13849-1: 2008/ AC: 2009 	Safety of machinery - Safety-related parts of control systems. Part 1: General requirements
<ul style="list-style-type: none"> • EN ISO 13849-2: 2008 	Safety of machinery - Safety-related parts of the control systems. Part 2: Validation
<ul style="list-style-type: none"> • IEC 61508 ed. 1 	Functional safety of electrical / electronic / programmable electronic safety-related systems
<ul style="list-style-type: none"> • IEC 60664-1 (2007) 	Insulation coordination for equipment within low-voltage systems. Part 1: Principles, requirements and tests.
<ul style="list-style-type: none"> • UL 508C (2002) 	UL Standard for Safety, Power Conversion Equipment, second edition
<ul style="list-style-type: none"> • NEMA 250 (2003) 	Enclosures for Electrical Equipment (1000 Volts Maximum)
<ul style="list-style-type: none"> • CSA C22.2 No. 14-05 (2005) 	Industrial control equipment

CE marking

A CE mark is attached to the drive to verify that the unit follows the provisions of the European Low Voltage and EMC Directives.

EMC stands for **E**lectromagnetic **C**ompatibility. It is the ability of electrical/electronic equipment to operate without problems within an electromagnetic environment. Likewise, the equipment must not disturb or interfere with any other product or system within its locality.

First environment includes establishments connected to a low-voltage network which supplies buildings used for domestic purposes.

Second environment includes establishments connected to a network not supplying domestic premises.

Drive of category C2: drive of rated voltage less than 1000 V and intended to be installed and commissioned only by a professional when used in the first environment. **Note:** A professional is a person or organisation having necessary skills in installing and/or commissioning power drive systems, including their EMC aspects.

Drive of category C3: drive of rated voltage less than 1000 V and intended for use in the second environment and not intended for use in the first environment.

Drive of category C4: drive of rated voltage equal to or above 1000 V, or rated current equal to or above 400 A, or intended for use in complex systems in the second environment.

Compliance with the European Low Voltage Directive

The compliance with the European Low Voltage Directive has been verified according to standards EN 60204-1: 2006/ AC: 2010 and EN 61800-5-2: 2007.

Compliance with the and EN 61800-3:2004

First environment (drive of category C2)

The drive complies with the standard with the following provisions:

1. The drive is equipped with EMC filter +E202.
2. The motor and control cables are selected as specified in the *Hardware Manual*.
3. The drive is installed according to the instructions given in the *Hardware Manual*.
4. Maximum cable length is 100 metres.

WARNING! The drive may cause radio interference if used in a residential or domestic environment. The user is required to take measures to prevent interference, in addition to the requirements for CE compliance listed above, if necessary.

Note: It is not allowed to install a drive equipped with EMC filter +E202 on IT (unearthed) systems. The supply network becomes connected to earth potential through the EMC filter capacitors which may cause danger or damage the unit.

Second environment (drive of category C3)

The drive complies with the standard with the following provisions:

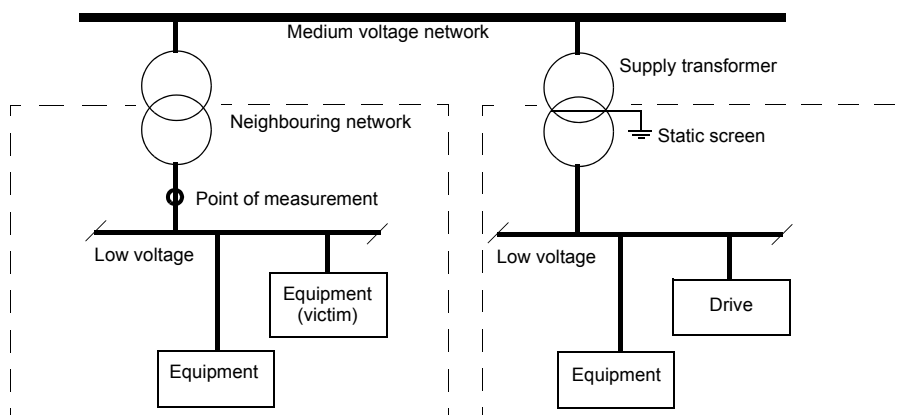
1. The drive is equipped with EMC filter +E210. The filter is suitable for TN (earthed) and IT (unearthed) systems.
2. The motor and control cables are selected as specified in the *Hardware Manual*.
3. The drive is installed according to the instructions given in the *Hardware Manual*.
4. Maximum cable length is 100 metres.

WARNING! A drive of category C3 is not intended to be used on a low-voltage public network which supplies domestic premises. Radio frequency interference is expected if the drive is used on such a network.

Second environment (drive of category C4)

If the provisions under [Second environment \(drive of category C3\)](#) cannot be met, the requirements of the standard can be met as follows:

1. It is ensured that no excessive emission is propagated to neighbouring low-voltage networks. In some cases, the inherent suppression in transformers and cables is sufficient. If in doubt, the supply transformer with static screening between the primary and secondary windings can be used.



2. An EMC plan for preventing disturbances is drawn up for the installation. A template is available from the local ABB representative.
3. The motor and control cables are selected as specified in the *Hardware Manual*.
4. The drive is installed according to the instructions given in the *Hardware Manual*.

WARNING! A drive of category C4 is not intended to be used on a low-voltage public network which supplies domestic premises. Radio frequency interference is expected if the drive is used on such a network.

Compliance with the European Machinery Directive

The drive is an electronic product which is covered by the European Low Voltage Directive. However, the drive can be equipped with the Safe torque off function which, as a safety component, is in the scope of the Machinery Directive. This function of the drive complies with European harmonized standards such as EN 61800-5-2: 2007. The declaration of conformity is shown in the *ACS800-01/02/04/11/31/104/104LC Safe torque off function (+Q967) Application guide* (3AUA0000063373 [English]).

“C-tick” marking

“C-tick” marking is required in Australia and New Zealand. A “C-tick” mark is attached to each drive in order to verify compliance with the relevant standard (IEC 61800-3 (2004) – Adjustable speed electrical power drive systems – Part 3: EMC product standard including specific test methods), mandated by the Trans-Tasman Electromagnetic Compatibility Scheme.

Definitions

EMC stands for **E**lectromagnetic **C**ompatibility. It is the ability of electrical/electronic equipment to operate without problems within an electromagnetic environment. Likewise, the equipment must not disturb or interfere with any other product or system within its locality.

The Trans-Tasman Electromagnetic Compatibility Scheme (EMCS) was introduced by the Australian Communication Authority (ACA) and the Radio Spectrum Management Group (RSM) of the New Zealand Ministry of Economic Development (NZMED) in November 2001. The aim of the scheme is to protect the radiofrequency spectrum by introducing technical limits for emission from electrical/ electronic products.

First environment includes establishments connected to a low-voltage network which supplies buildings used for domestic purposes.

Second environment includes establishments connected to a network not supplying domestic premises.

Drive of category C2: drive of rated voltage less than 1000 V and intended to be installed and commissioned only by a professional when used in the first environment. **Note:** A professional is a person or organisation having necessary skills in installing and/or commissioning power drive systems, including their EMC aspects.

Drive of category C3: drive of rated voltage less than 1000 V and intended for use in the second environment and not intended for use in the first environment.

Drive of category C4: drive of rated voltage equal to or above 1000 V, or rated current equal to or above 400 A, or intended for use in complex systems in the second environment.

Compliance with IEC 61800-3:2044

First environment (drive of category C2)

The drive complies with the limits of IEC 61800-3:2004 with the following provisions:

1. The drive is equipped with EMC filter +E202.
2. The drive is installed according to the instructions given in the *Hardware Manual*.
3. The motor and control cables used are selected as specified in the *Hardware Manual*.
4. Maximum cable length is 100 metres.

WARNING! The drive may cause radio interference if used in a residential or domestic environment. The user is required to take measures to prevent interference, in addition to the requirements for CE compliance listed above, if necessary.

Note: The drive must not be equipped with the EMC filter +E202 when installed to IT (unearthed) systems. The mains becomes connected to earth potential through the EMC filter capacitors. In IT systems this may cause danger or damage the unit.

Second environment (drive of category C3)

The drive complies with the standard with the following provisions:

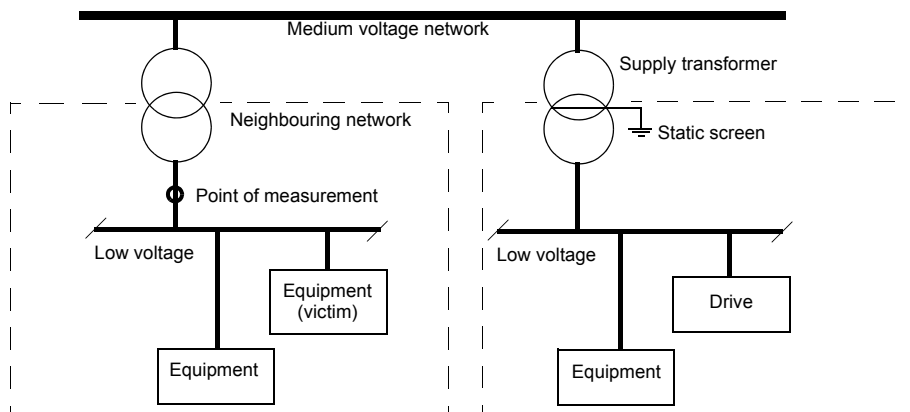
1. The drive is equipped with EMC filter +E210. The filter is suitable for TN (earthed) and IT (unearthed) systems.
2. The motor and control cables are selected as specified in the *Hardware Manual*.
3. The drive is installed according to the instructions given in the *Hardware Manual*.
4. Maximum cable length is 100 metres.

WARNING! A drive of category C3 is not intended to be used on a low-voltage public network which supplies domestic premises. Radio frequency interference is expected if the drive is used on such a network.

Second environment (drive of category C4)

If the provisions under [Second environment \(drive of category C3\)](#) cannot be met, the requirements of the standard can be met as follows:

1. It is ensured that no excessive emission is propagated to neighbouring low-voltage networks. In some cases, the inherent suppression in transformers and cables is sufficient. If in doubt, the supply transformer with static screening between the primary and secondary windings is strongly recommended.



2. An EMC plan for preventing disturbances is drawn up for the installation. A template is available from the local ABB representative.
3. The drive is installed according to the instructions given in the *Hardware Manual*.
4. The motor and control cables used are selected as specified in the *Hardware Manual*.

WARNING! A drive of category C4 is not intended to be used on a low-voltage public network which supplies domestic premises. Radio frequency interference is expected if the drive is used on such a network.

UL/CSA markings

The ACS800-02 and ACS800-U2 are C-UL US listed and CSA marked. The approvals are valid with rated voltages (up to 600 V).

UL

The drive is suitable for use on a circuit capable of delivering not more than 100 kA rms symmetrical amperes at the drive nominal voltage (600 V maximum for 690 V units) when protected by fuses given in the [NEMA data](#) fuse table. The ampere rating is based on tests done according to UL 508.

The drive provides overload protection in accordance with the National Electrical Code (US). See *ACS800 Firmware Manual* for setting. Default setting is off, must be activated at start-up.

The drives are to be used in a heated indoor controlled environment. See section [Ambient conditions](#) for specific limits.

Brake chopper - ABB has brake choppers that, when applied with appropriately sized brake resistors, will allow the drive to dissipate regenerative energy (normally associated with quickly decelerating a motor). Proper application of the brake chopper is defined in chapter [Resistor braking](#).

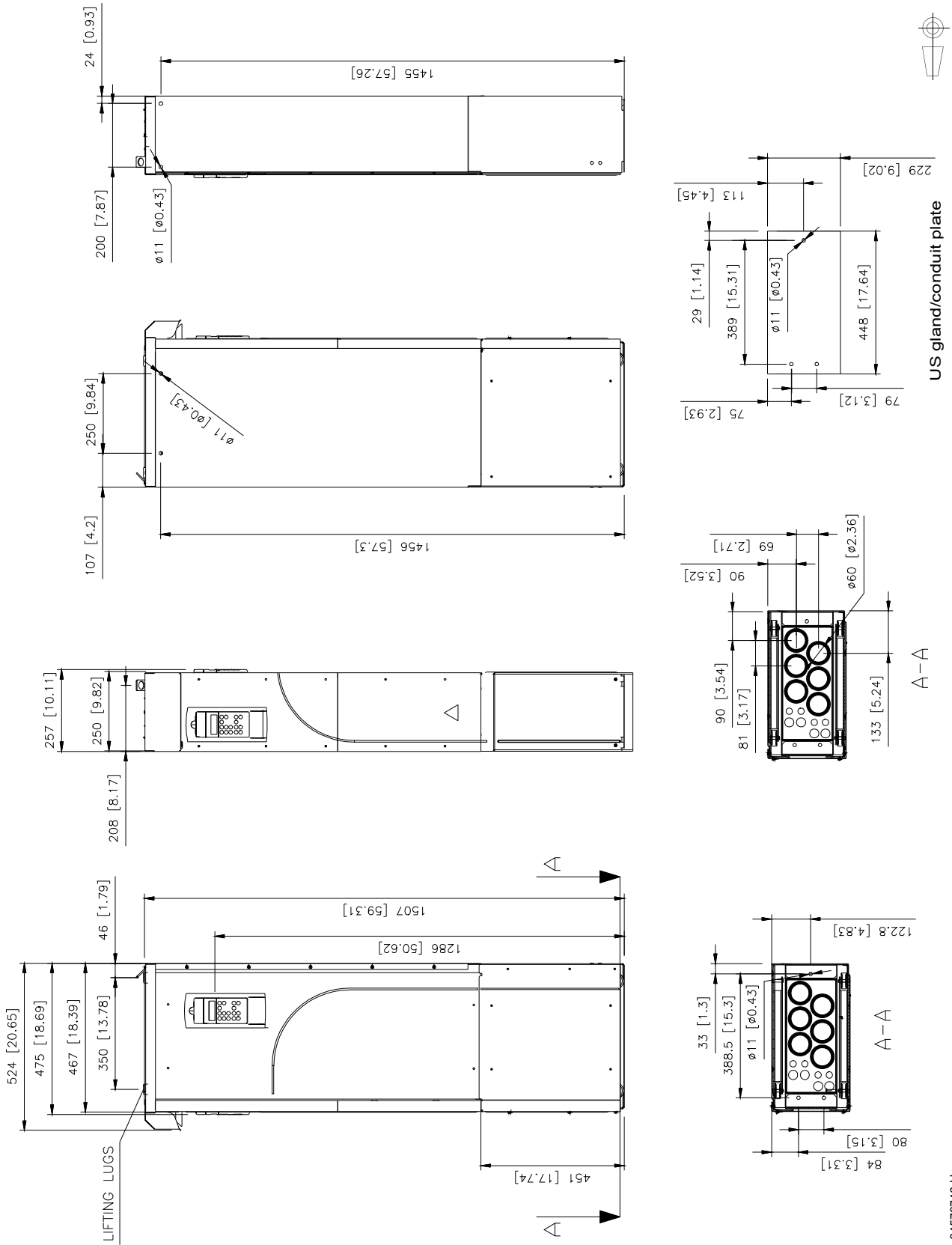
Disclaimer

The manufacturer shall have no obligation with respect to any product which (i) has been improperly repaired or altered; (ii) has been subjected to misuse, negligence or accident; (iii) has been used in a manner contrary to the manufacturer's instructions; or (iv) has failed as a result of ordinary wear and tear.

Dimensional drawings

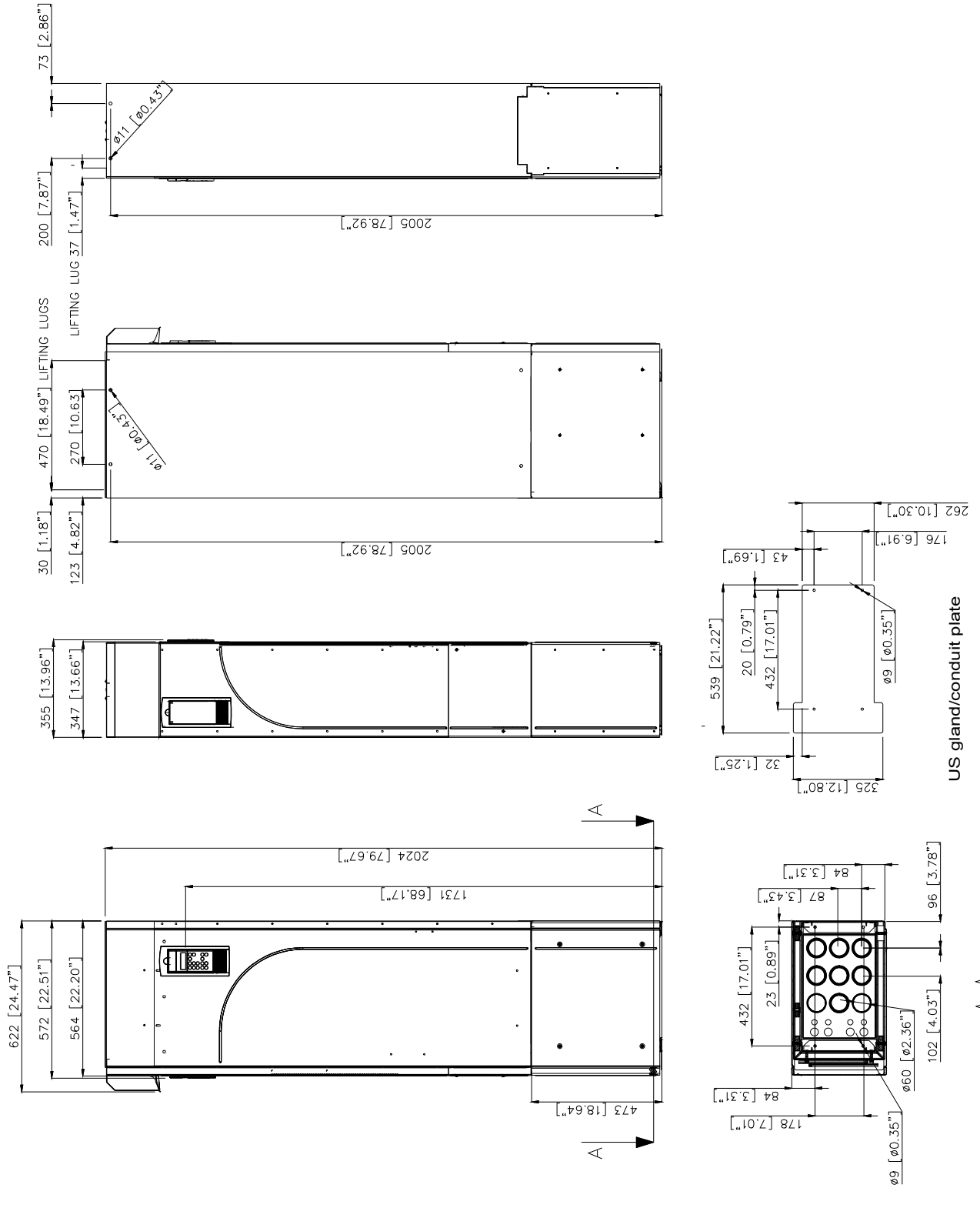
The dimensions are given in millimetres and [inches].

Frame size R7



64579746 H

Frame size R8



Resistor braking

What this chapter contains

This chapter describes how to select, protect and wire brake choppers and resistors. The chapter also contains the technical data.

Operation principle and hardware description

The drive can be equipped with optional built-in brake chopper (+D150). Brake resistors are available as add-on kits. All braking resistors must be installed outside the converters module.

The brake chopper handles the energy generated by a decelerating motor. The chopper connects the brake resistor to the intermediate DC circuit whenever the voltage in the circuit exceeds the limit defined by the control program. Energy consumption by the resistor losses lowers the voltage until the resistor can be disconnected.

How to select the correct drive/chopper/resistor combination

1. Calculate the maximum power (P_{\max}) generated by the motor during braking.
2. Select a suitable drive / brake chopper / brake resistor combination for the application according to the following tables (take account of other factors in the drive selection also). The following condition must be met:

$$P_{\text{brcont}} \geq P_{\max}$$

where

P_{br} denotes P_{br5} , P_{br10} , P_{br30} , P_{br60} , or P_{brcont} depending on the duty cycle.

3. Check the resistor selection. The energy generated by the motor during a 400-second period must not exceed the resistor heat dissipation capacity E_R .

If the E_R value is not sufficient, it is possible to use a four-resistor assembly in which two standard resistors are connected in parallel, two in series. The E_R value of the four-resistor assembly is four times the value specified for the standard resistor.

Note: A resistor other than the standard resistor can be used provided that:

- its resistance is not lower than the resistance of the standard resistor.



WARNING! Never use a brake resistor with a resistance below the value specified for the particular drive / brake chopper / resistor combination. The drive and the chopper are not able to handle the overcurrent caused by the low resistance.

- the resistance does not restrict the braking capacity needed, i.e.,

$$P_{\max} < \frac{U_{\text{DC}}^2}{R}$$

where

P_{\max} maximum power generated by the motor during braking

U_{DC} voltage over the resistor during braking, e.g.,

1.35 · 1.2 · 415 V DC (when supply voltage is 380 to 415 V AC),

1.35 · 1.2 · 500 V DC. (when supply voltage is 440 to 500 V AC) or

1.35 · 1.2 · 690 V DC (when supply voltage is 525 to 690 V AC).

R resistor resistance (ohm)

- the heat dissipation capacity (E_R) is sufficient for the application (see step 3 above).

Ratings

The nominal ratings for dimensioning the brake resistors for the ACS800-02/U2 is given below at an ambient temperature of 40 °C (104 °F).

ACS800 type	Frame size	Braking power of the chopper and the drive				Brake resistor(s)			
		5/60 s P_{br5} (kW)	10/60 s P_{br10} (kW)	30/60 s P_{br30} (kW)	P_{brcont} (kW)	Type	R (ohm)	E_R (kJ)	P_{Rcont} (kW)
230 V units									
-0080-2	R7	68	68	68	54	SAFUR160F380	1.78	3600	9
-0100-2	R7	83	83	83	54	SAFUR160F380	1.78	3600	9
-0120-2	R7	105	67	60	40	2xSAFUR200F500	1.35	10800	27
-0140-2	R8	135	135	135	84	2xSAFUR160F380	0.89	7200	18
-0170-2	R8	135	135	135	84	2xSAFUR160F380	0.89	7200	18
-0210-2	R8	165	165	165	98	2xSAFUR160F380	0.89	7200	18
-0230-2	R8	165	165	165	113	2xSAFUR160F380	0.89	7200	18
-0260-2	R8	223	170	125	64	4xSAFUR160F380	0.45	14400	36
-0300-2	R8	223	170	125	64	4xSAFUR160F380	0.45	14400	36
400 V units									
-0140-3	R7	135	135	100	80	SAFUR200F500	2.70	5400	13.5
-0170-3	R7	165	150	100	80	SAFUR200F500	2.70	5400	13.5
-0210-3	R7	165	150	100	80	SAFUR200F500	2.70	5400	13.5
-0260-3	R8	240	240	240	173	2XSAFUR210F575	1.70	8400	21
-0320-3	R8	300	300	300	143	2xSAFUR200F500	1.35	10800	27
-0400-3	R8	375	375	273	130	4xSAFUR125F500	1.00	14400	36
-0440-3	R8	473	355	237	120	4xSAFUR210F575	0.85	16800	42
-0490-3	R8	500	355	237	120	4xSAFUR210F575	0.85	16800	42
500 V units									
-0170-5	R7	165	132 ²⁾	120	80	SAFUR200F500	2.70	5400	13.5
-0210-5	R7	198	132 ²⁾	120	80	SAFUR200F500	2.70	5400	13.5
-0260-5	R7	198 ¹⁾	132 ²⁾	120	80	SAFUR200F500	2.70	5400	13.5
-0270-5**	R8	240	240	240	240	2xSAFUR125F500	2.00	7200	18
-0300-5**	R8	280	280	280	280	2xSAFUR125F500	2.00	7200	18
-0320-5	R8	300	300	300	300	2xSAFUR125F500	2.00	7200	18
-0400-5	R8	375	375	375	234	2XSAFUR210F575	1.70	8400	21
-0440-5	R8	473	473	450	195	2xSAFUR200F500	1.35	10800	27
-0490-5	R8	480	480	470	210	2xSAFUR200F500	1.35	10800	27
-0550-5	R8	600	400 ⁴⁾	300	170	4xSAFUR125F500	1.00	14400	36
-0610-5	R8	600 ³⁾	400 ⁴⁾	300	170	4xSAFUR125F500	1.00	14400	36

ACS800 type	Frame size	Braking power of the chopper and the drive				Brake resistor(s)			
		5/60 s	10/60 s	30/60 s		Type	R (ohm)	E _R (kJ)	P _{Rcont} (kW)
		P _{br5} (kW)	P _{br10} (kW)	P _{br30} (kW)	P _{brcont} (kW)				
690 V units									
-0140-7	R7	125 ⁵⁾	110	90	75	SAFUR80F500	6.00	2400	6
-0170-7	R7	125 ⁶⁾	110	90	75	SAFUR80F500	6.00	2400	6
-0210-7	R7	125 ⁶⁾	110	90	75	SAFUR80F500	6.00	2400	6
-0260-7	R7	135 ⁷⁾	120	100	80	SAFUR80F500	6.00	2400	6
-0320-7	R8	300	300	300	260	SAFUR200F500	2.70	5400	13.5
-0400-7	R8	375	375	375	375	SAFUR200F500	2.70	5400	13.5
-0440-7	R8	430	430	430	385	SAFUR200F500	2.70	5400	13.5
-0490-7	R8	550	400	315	225	2xSAFUR125F500	2.00	7200	18
-0550-7	R8	550	400	315	225	2xSAFUR125F500	2.00	7200	18
-0610-7	R8	550	400	315	225	2xSAFUR125F500	2.00	7200	18

PDM code 00096931-J

P_{br5} Maximum braking power of the drive with the specified resistor(s). The drive and the chopper will withstand this braking power for 5 seconds per minute.

P_{br10} The drive and the chopper will withstand this braking power for 10 seconds per minute.

P_{br30} The drive and the chopper will withstand this braking power for 30 seconds per minute.

P_{brcont} The drive and the chopper will withstand this continuous braking power. The braking is considered continuous if the braking time exceeds 30 s.

Note: Check that the braking energy transmitted to the specified resistor(s) in 400 seconds does not exceed E_R.

R Resistance value for the resistor assembly. **Note:** This is also the minimum allowed resistance for the brake resistor.

E_R Short energy pulse that the resistor assembly withstands every 400 seconds. This energy will heat the resistor element from 40 °C (104 °F) to the maximum allowable temperature.

P_{Rcont} Continuous power (heat) dissipation of the resistor when placed correctly. Energy E_R dissipates in 400 seconds.

* ACS800-02 types only

** ACS800-U2 types only

1) 240 kW possible if ambient temperature is below 33 °C (91 °F)

2) 160 kW possible if ambient temperature is below 33 °C (91 °F)

3) 630 kW possible if ambient temperature is below 33 °C (91 °F)

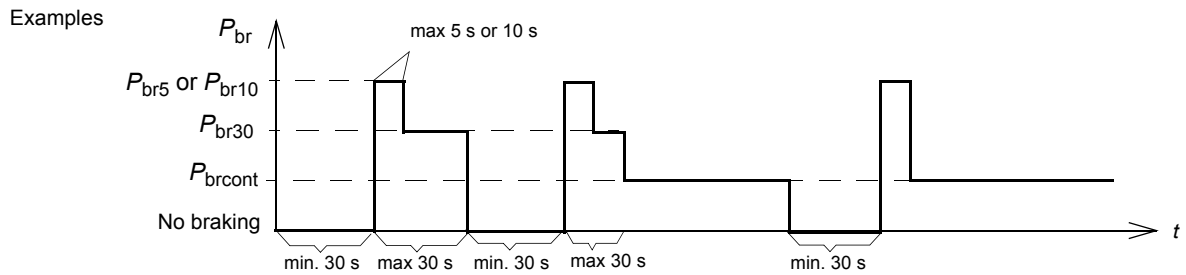
4) 450 kW possible if ambient temperature is below 33 °C (91 °F)

5) 135 kW possible if ambient temperature is below 33 °C (91 °F)

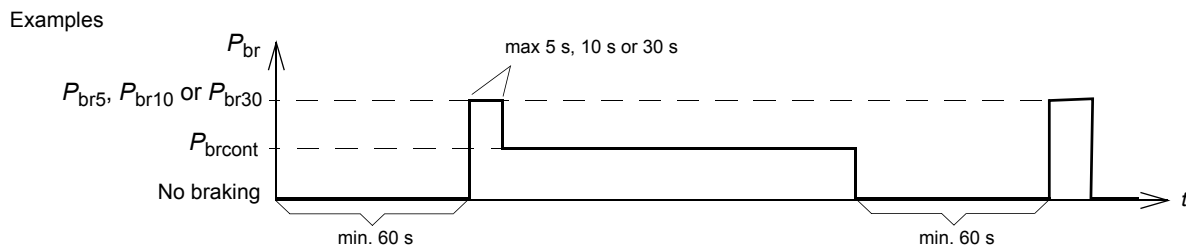
6) 148 kW possible if ambient temperature is below 33 °C (91 °F)

7) 160 kW possible if ambient temperature is below 33 °C (91 °F)

Note: The resistors are built-in an IP00 metal frame. The 2xSAFUR and 4xSAFUR resistors are connected in parallel. The SAFUR resistors are not UL listed.

Combined braking cycles for R7:

- After P_{br5} , P_{br10} or P_{br30} braking, the drive and the chopper will withstand P_{brcont} continuously.
- P_{br5} , P_{br10} or P_{br30} braking is allowed once every minute.
- After P_{brcont} braking, there has to be a pause of at least 30 seconds without any braking if the subsequent braking power is greater than P_{brcont} .
- After P_{br5} or P_{br10} braking, the drive and the chopper will withstand P_{br30} within a total braking time of 30 seconds.
- P_{br10} braking is not acceptable after P_{br5} braking.

Combined braking cycles for R8:

- After P_{br5} , P_{br10} or P_{br30} braking, the drive and the chopper will withstand P_{brcont} continuously. (P_{brcont} is the only allowed braking power after P_{br5} , P_{br10} or P_{br30} .)
- P_{br5} , P_{br10} or P_{br30} braking is allowed once every minute.
- After P_{brcont} braking, there has to be a pause of at least 60 seconds without any braking if the subsequent braking power is greater than P_{brcont} .

Resistor installation and wiring

All resistors must be installed outside the drive module in a place where they will cool.



WARNING! The materials near the brake resistor must be non-flammable. The surface temperature of the resistor is high. Air flowing from the resistor is of hundreds of degrees Celsius. Protect the resistor against contact.

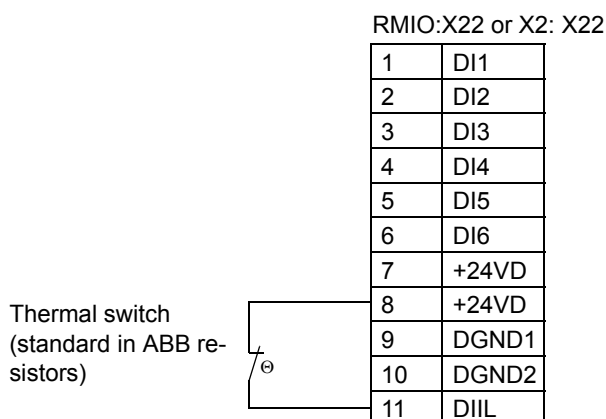
Use the cable type used for drive input cabling (refer to chapter *Technical data*) to ensure the input fuses will also protect the resistor cable. Alternatively, two-conductor shielded cable with the same cross-sectional area can be used. The maximum length of the resistor cable(s) is 10 m (33 ft). For the connections, see the power connection diagram of the drive.

Protecting the system against thermal overload

A main contactor is not required for protecting against resistor overheating when the resistor is dimensioned according to the instructions and the internal brake chopper is in use. The drive will disable power flow through the input bridge if the chopper remains conductive in a fault situation. **Note:** If an external brake chopper (outside the drive module) is used, a main contactor is always required.

A thermal switch (standard in ABB resistors) is required for safety reasons. The cable must be shielded and not longer than the resistor cable.

With Standard Control Program, wire the thermal switch as shown below. By default, the drive will stop by coasting when the switch opens.



For other control programs, the thermal switch may be wired to a different digital input. Programming of the input to trip the drive by “EXTERNAL FAULT” may be needed. See the appropriate firmware manual.

Brake circuit commissioning

For Standard Control Program:

- Enable the brake chopper function (parameter 27.01).
- Switch off the overvoltage control of the drive (parameter 20.05).
- Check the resistance value setting (parameter 27.03).
- Frame sizes R7 and R8: Check the setting of parameter 21.09. If stop by coasting is required, select OFF2 STOP.

For the use of the brake resistor overload protection (parameters 27.02...27.05), consult an ABB representative.



WARNING! If the drive is equipped with a brake chopper but the chopper is not enabled by parameter setting, the brake resistor must be disconnected because the protection against resistor overheating is then not in use.

For settings of other control programs, see the appropriate firmware manual.

Non-ABB du/dt filter selection

What this chapter contains

This chapter contains guidelines for selecting and installing a non-ABB du/dt filter with the drive.

When a du/dt filter must be used

A du/dt filter must be used with drives of voltages from 500 V to 690 V according to the *Requirements table* on page 28.

Filter and installation requirements

1. The filter is an LCR filter or an L filter (i.e. a series inductor: three single-phase inductors or one three-phase inductor).

Check that the approximate per-phase impedance of the filter inductor is 1.5 % for drives of frame size R7 and 2 % for drives of frame size R8 when calculated as follows:

$$Z_L = 2 \cdot \pi \cdot f_N \cdot L \cdot \frac{\sqrt{3} \cdot I_N}{U_N} \cdot 100$$

where

- Z_L $\hat{=}$ impedance of the inductor divided by the nominal phase impedance of the motor, in percentage
- L $\hat{=}$ per-phase inductance of the filter
- f_N $\hat{=}$ rated motor frequency
- I_N $\hat{=}$ rated motor current
- U_N $\hat{=}$ rated motor voltage.

Note: Impedances over 1.5 % or 2 % can be used, but then the voltage drop across the filter will be increased, thus reducing the pull-out torque and attainable power.

2. The du/dt value of the inverter output voltage is approximately 5 kV / microsecond. The filter limits the du/dt value at the motor terminals to less than 1 kV / microsecond.
3. The filter withstands the continuous current of the drive ($I_{\text{cont.max}}$). Saturation of the filter core is not allowed up to the maximum output current of the drive (I_{max}).
4. The filter is dimensioned thermally to withstand a switching frequency of 2 kHz with 690 V units, and 3 kHz with 500 V units.
5. The cable between the drive and the filter is shorter than the maximum length specified by the filter manufacturer.

6. The motor cable does not exceed the maximum length specified by the filter manufacturer and *ACS800-02/U2 Hardware Manual*.
7. Maximum output frequency does not exceed the limit specified by the filter manufacturer and 300 Hz specified by the drive.

RDCO-01/02/03/04 DDCS communication option modules

What this chapter contains

This chapter contains a description of the RDCO-0x DDCS communication option modules connections and the technical specifications of the RDCO-0x modules.

Overview

The RDCO-0x DDCS Communication options are add-on modules for the

- RMIO Motor Control and I/O board (also part of RDCU control units)
- BCU control units.

RDCO modules are available factory-installed as well as retrofit kits.

The RDCO module includes the connectors for fiber optic DDCS channels CH0, CH1, CH2 and CH3. The usage of these channels is determined by the application program; see the *Firmware Manual* of the drive. However, the channels are normally assigned as follows:

CH0 – overriding system (eg. fieldbus adapter)

CH1 – I/O options and supply unit

CH2 – Master/Follower link

CH3 – PC tool (ACS800 only).

There are several types of the RDCO. The difference between the types is the optical components. In addition, each type is available with a coated circuit board, this being indicated by a “C” suffix, eg. RDCO-03C.

Module type	Optical component type			
	CH0	CH1	CH2	CH3
RDCO-01(C)	10 MBd	5 MBd	10 MBd	10 MBd
RDCO-02(C)	5 MBd	5 MBd	10 MBd	10 MBd
RDCO-03(C)	5 MBd	5 MBd	5 MBd	5 MBd
RDCO-04(C)	10 MBd	10 MBd	10 MBd	10 MBd

The optical components at both ends of a fiber optic link must be of the same type for the light intensity and receiver sensitivity levels to match. Plastic optical fiber (POF) cables can be used with both 5 MBd and 10 MBd optical components. 10 MBd components also enable the use of Hard Clad Silica (HCS) cables, which allow longer connection distances thanks to their lower attenuation.

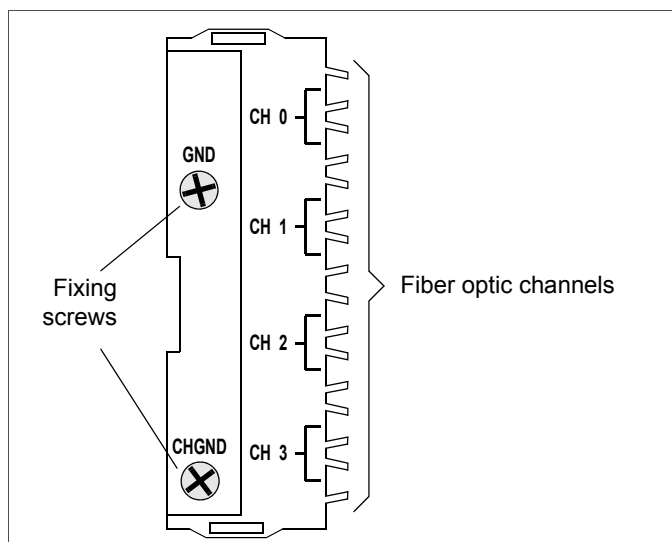
Note: The optical component type does not reflect the actual communication speed.

Delivery check

The option package contains:

- RDCO-0x module
- Two screws (M3×8)
- This document.

Module layout



Installation



WARNING! All electrical installation and maintenance work on the drive should be carried out by qualified electricians only.

The drive and adjoining equipment must be properly earthed.

Do not work on a powered drive. Before installation, switch off the mains and other dangerous voltages (eg. from external control circuits) to the drive. After switching off the mains, always allow the intermediate circuit capacitors 5 minutes to discharge before starting work on the frequency converter. It is a good practice to check (with a voltage indicating instrument) that the drive is in fact discharged before beginning work.

There may be dangerous voltages inside the drive from external control circuits even when the drive mains power is shut off. Exercise appropriate care when working on the unit. Neglecting these instructions may cause physical injury or death.



WARNING! The component boards of the drive contain integrated circuits that are extremely sensitive to electrostatic discharge (ESD). Wear an earthing wrist band when handling component boards. Do not touch the boards unnecessarily. Do not remove any board from its antistatic packaging until required.



WARNING! Handle the fiber optic cables with care. The maximum long term tensile load is 1 N; the minimum short term bend radius is 35 mm. Do not touch the ends of the fibers with bare hands as the fiber is extremely sensitive to dirt. Use rubber grommets at cable entries to protect the cables.

The RDCO-0x module is to be inserted into the position marked “DDCS” on the drive. On installation, the signal and power connection to the drive is automatically made through a 20-pin connector.

The module is held in place with plastic retaining clips and two screws. The screws also provide the earthing of module, and interconnect the GND signals of the module and the control board.

Installation procedure

1. Access the optional module slots on the drive. Whenever necessary, refer to the *Hardware Manual* of the drive for instructions on removing any covers.
2. Insert the module carefully into the slot marked with “DDCS” (BCU control unit slot 4) on the control board until the retaining clips lock the module into position.
3. Fasten the screws included in the package. Note that correct installation of the screws is essential for fulfilling the EMC requirements and for proper operation of the module.
4. Lead the fiber optic cables from the external device to the appropriate channel(s) of the RDCO. Inside the drive, route the cables as shown in its *Hardware Manual*. Make sure the cables are not kinked or laid against sharp edges. Observe colour coding so that transmitters are connected to receivers and vice versa. In case multiple devices are to be connected to one channel, they must be connected in a ring.

Technical data

Module types: RDCO-01(C), RDCO-02(C), RDCO-03(C), RDCO-04(C)

Degree of protection: IP 20

Ambient conditions: The applicable ambient conditions specified for the drive in its *Hardware Manual* are in effect.

Connectors:

- 20-pin pinheader
- 4 transmitter/receiver connector pairs for fiber optic cable. Type: Agilent Technologies Versatile Link. Communication speed: 1, 2 or 4 Mbit/s

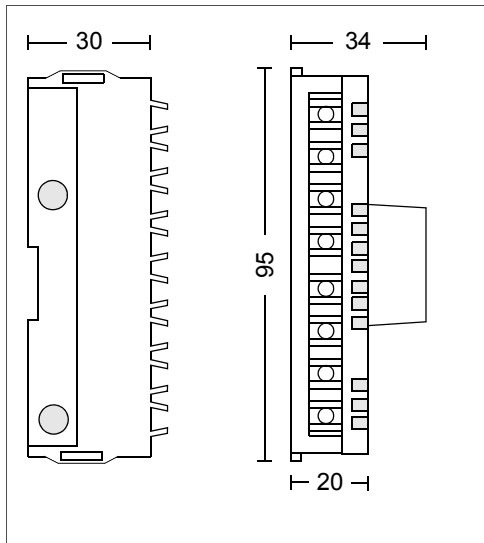
Operating voltage: +5 V DC $\pm 10\%$, supplied by the control unit of the drive.

Current consumption: 200 mA max.

Electromagnetic immunity: IEC 1000-4-2 (limits: industrial, second environment); IEC 1000-4-3; IEC 1000-4-4; IEC 1000-4-6

Electromagnetic emissions: EN 50081-2; CISPR 11

Dimensions (mm):



Further information

Product and service inquiries

Address any inquiries about the product to your local ABB representative, quoting the type designation and serial number of the unit in question. A listing of ABB sales, support and service contacts can be found by navigating to www.abb.com/searchchannels.

Product training

For information on ABB product training, navigate to www.abb.com/drives and select *Training courses*.

Providing feedback on ABB Drives manuals

Your comments on our manuals are welcome. Go to www.abb.com/drives and select *Document Library – Manuals feedback form (LV AC drives)*.

Document library on the Internet

You can find manuals and other product documents in PDF format on the Internet. Go to www.abb.com/drives and select *Document Library*. You can browse the library or enter selection criteria, for example a document code, in the search field.

Contact us

www.abb.com/drives

www.abb.com/drivespartners

3AFE64567373 Rev G (EN) 2013-06-17