

FV4000, FS4000 Vortex Flowmeter / Swirl Flowmeter

Integral mount design VT4 / ST4
and remote mount design
VR4 / SR4



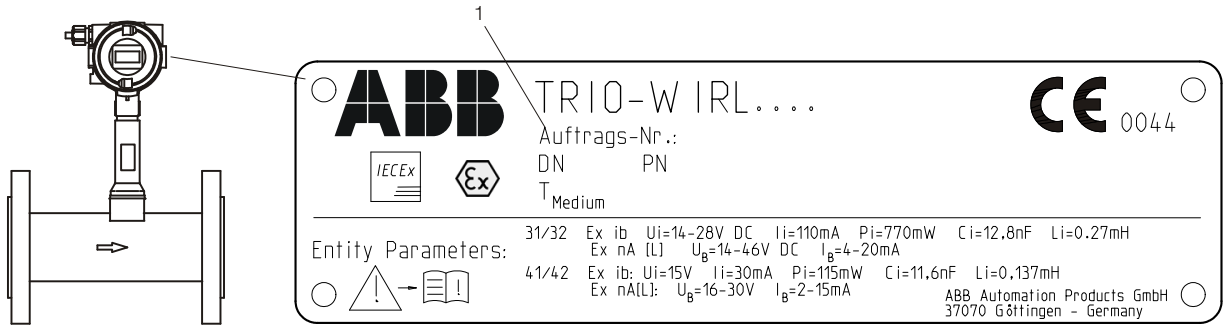
Contents

- 1 Name plate specifications for spare parts orders 3

- 2 Overview 4
 - 2.1 Flowmeter V_4 / S_4 6
 - 2.2 Housing 7
 - 2.3 Slide-in converter 8
 - 2.4 Base complete 9
 - 2.5 Converter bracket 10

1 Name plate specifications for spare parts orders

The flowmeter version can be identified by referring to the name plate that is attached to the housing. When placing spare parts orders, always remember to state the order number as shown on the name plate.



G11508

Fig. 1: Name plate
1 Order number

2 Overview

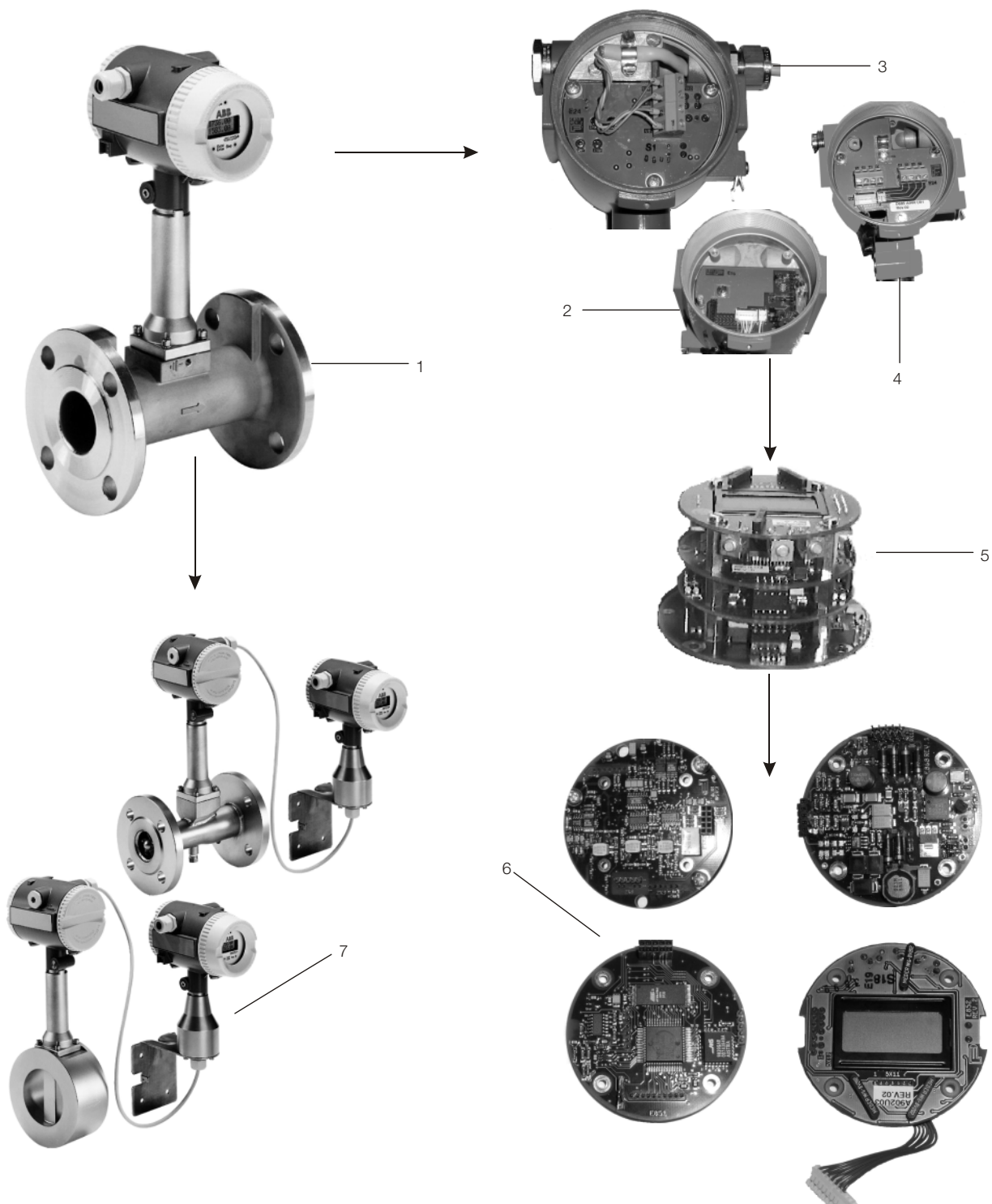
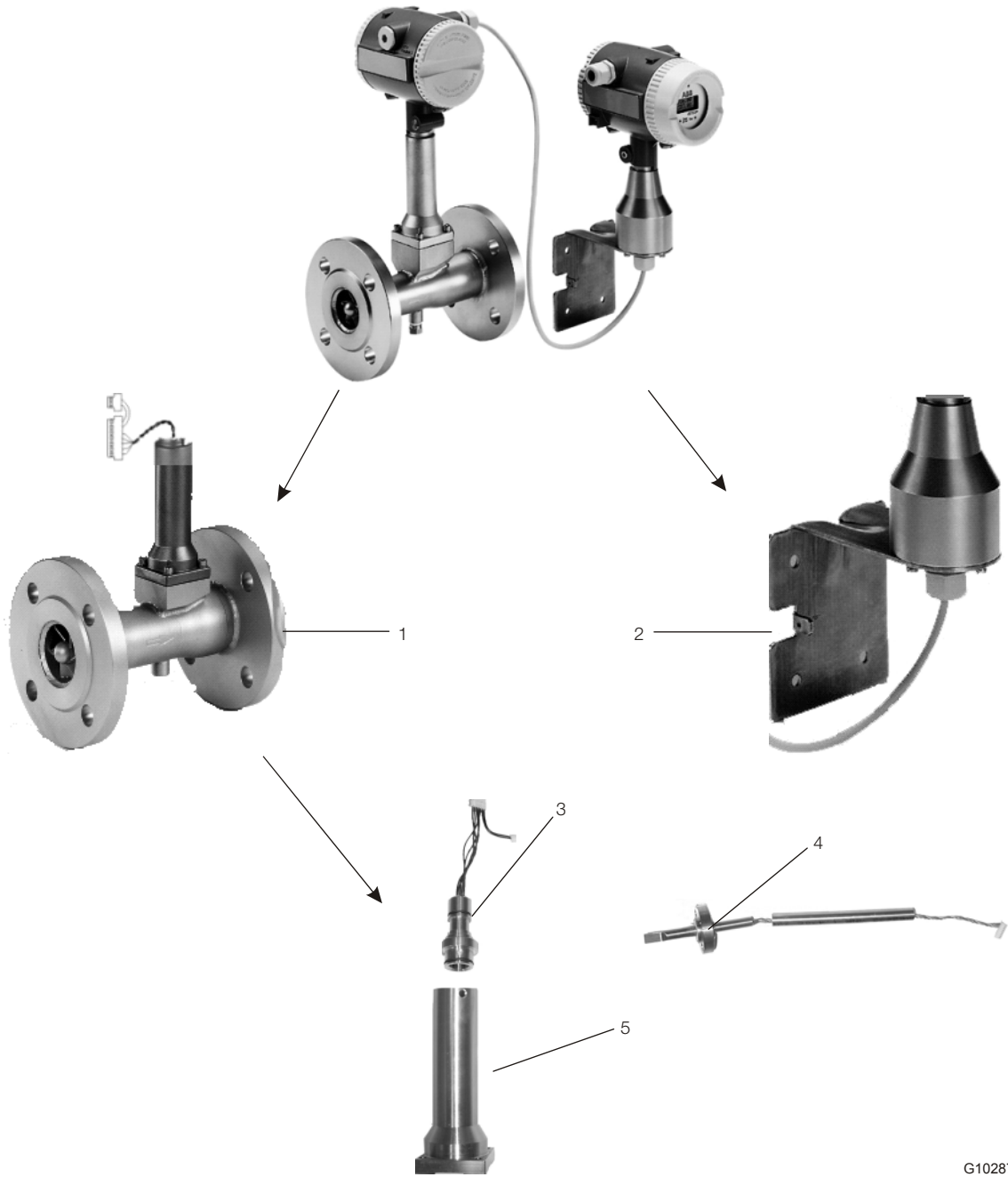


Fig. 2: Overview

1 Flowmeter VT / ST | 2 Sensorboard | 3 Connection board VT | 4 Connection board VR | 5 Slide-in conv. | 6 Boards | 7 Flowmeter VR / SR

G10286



G10287

Fig. 3: Overview

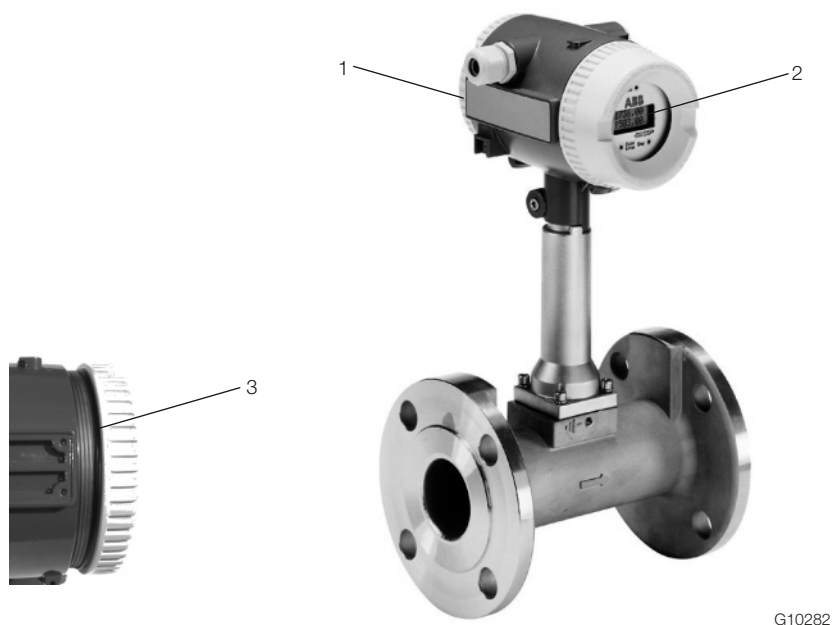
1 Base complete | 2 Converter bracket | 3 Adapter for sensor | 4 Sensor | 5 Base



IMPORTANT (NOTE)

All prices on inquiry!

2.1 Flowmeter V_4 / S_4

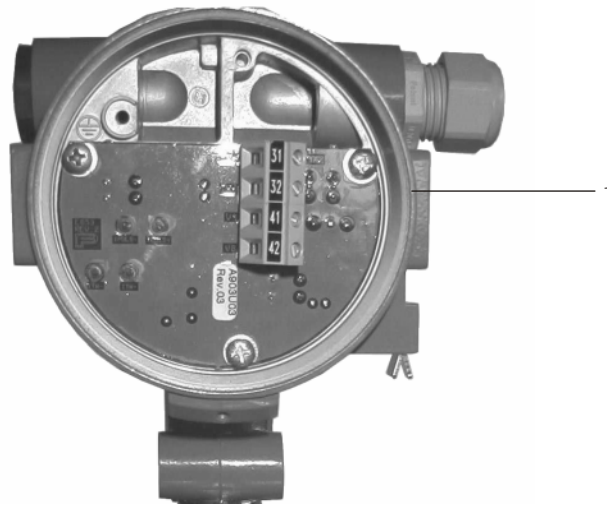


G10282

Fig. 4

| Position | Name of part | Variant | Order number | Weight kg (lb) | Price (€) |
|----------|-------------------------------|----------|--------------|----------------|-----------|
| 1-3 | Set includes position 1 ... 3 | Standard | D614L990U01 | - | |
| 1-3 | Set includes position 1 ... 3 | Ex | D614L990U05 | - | |

2.2 Housing



G10288-01

Fig. 5

| Position | Name of part | Variant | Order number | Weight kg (lb) | Price (€) |
|----------|---|---------|--------------|----------------|-----------|
| 1 | Connection box M20 x 1,5 ST / EX / ST PA / FF | VT4 | D670A028U09 | - | |
| | Connection box 1/2" NPT ST / EX / ST PA / FF | VT4 | D670A028U10 | - | |
| | Connection box, inst. 1/2" NPT EX DRF HART V.4.C | VT4_ | D670A038U03 | - | |
| | Connection box inst. M20 x 1,5 ST / EX HART V.4.C | VT4_ | D670A038U01 | - | |
| | Connection box inst. 1/2" NPT ST / EX HART V.4.C | VT4_ | D670A038U02 | - | |
| | Connection box inst. VR4000 M20 X 1,5 STAND / EX | VR | D670A029U01 | - | |
| | Connection box inst. VR4000 1/2"NPT STAND / 4EX | VR | D670A029U02 | - | |
| | Connection box inst. VR4000 M20 X 1,5 EX EIGNS. | VR | D670A029U03 | - | |
| | Connection box inst. VR4000 1/2"NPT EX EIGNS. | VR | D670A029U04 | - | |
| | Anschlusskasten vorm. VR4000 M20 X 1,5 EX DRUCKF | VR | D670A029U05 | - | |
| | Connection box inst. VR4000 1/2"NPT EX DRUCKF | VR | D670A029U06 | - | |
| | Connection box inst. VR4000 M20 X 1,5 EX FM / CSA | VR | D670A029U07 | - | |
| | Connection box inst. VR4000 1/2"NPT EX FM / CSA | VR | D670A029U08 | - | |
| | Connection box inst. M20 X 1,5 ST/EX Red- RAL2002 V / SR | VR | D670A029U09 | - | |
| | Connection box inst. 1/2"NPT STD / EXI RAL5015 | VR | D670A029U10 | - | |

2.3 Slide-in converter

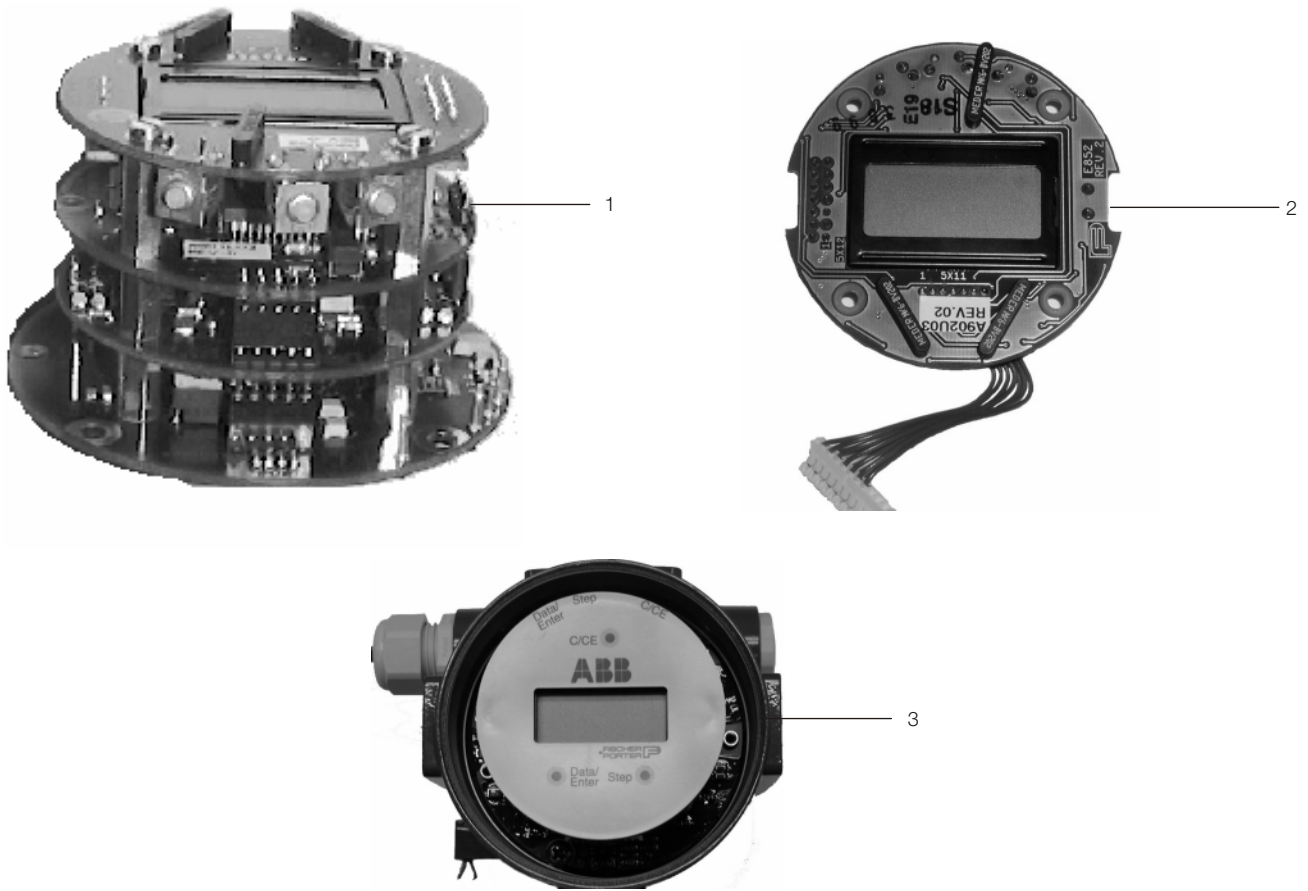


Fig. 6

G10289-01

| Position | Name of part | Variant | Order number | Weight kg (lb) | Price (€) |
|----------|---|---------|--------------|----------------|-----------|
| 1 | Slide-in conv. FF | - | D674A659U13 | - | |
| | Slide-in conv. PA | - | D674A659U14 | - | |
| | Slide-in conv. 10VT4_ HART Replacements ATEX | - | D674A659U12 | - | |
| 2 | Display board | - | D685A902U03 | - | |
| | Display board FF / PA | - | D685A1011U01 | - | |
| 3 | Cover (front board) | - | D355L034U02 | - | |



IMPORTANT (NOTE)

Ex approval (ATEX) has changed.

With Ex, the plug-in modules are only supplied with a re-specification and a new housing.

2.4 Base complete

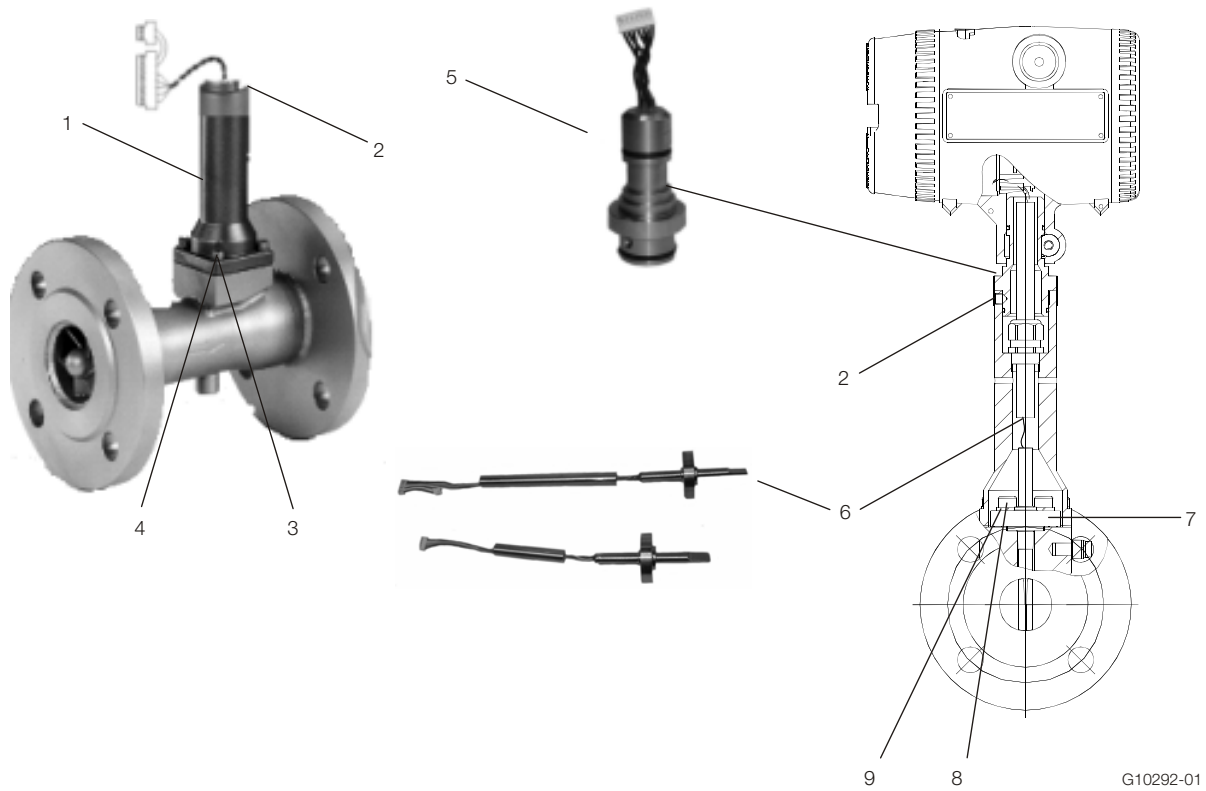


Fig. 7

| Position | Name of part | Variant | Order number | Weight kg (lb) | Price (€) |
|----------|--|------------------------------|---------------|----------------|-----------|
| 1 | Base | Standard / Ex | D355A155U01 | - | |
| | Base (DN 50 / 300 LB) | Standard / Ex | D355A156U01 | - | |
| | Base complete without Loctite | - | D618A091U01 | - | |
| | Base complete kit (DN 50 / 300 LB) without Loctite | - | D618A091U02 | - | |
| 2 | Threaded rod M6 x 6 | - | D020J106AU20 | - | |
| 3 | Cheese-head screw M5 x 16 | - | D009H112AU20 | - | |
| 4 | Spring washer 5.0 | - | D085C023BU20 | - | |
| 5 | Adaptor for sensor complete | Standard / Ex ib | D633A043U05 | - | |
| 6 | Opti. Piezo sensor 1.4571 OR-NUT VIBRATK.- 3.1B | Std. / Ex i / Ex d / FM / CS | D693B082U01 | - | |
| | Opti. Piezo sensor 1.4571 VIBRATK.- 3.1B | Ex d / FM / CSA | D693B082U02 | - | |
| | Opti. Piezo sensor compl. 1.4571 - 3.1B PT100 | Ex d / FM / CSA | D693B043U32L4 | - | |
| | Opti. Piezo sensor compl. 1.4571 - 3.1B OR_NUT PT100 | Std. / Ex i / Ex d / FM / CS | D693B043U30L4 | - | |
| | Piezo sensor 6-hole 6 x M6, 1.4571 V_4 HT 400 °C without PT100 | Ex d | D693B051U21 | - | |
| | Piezo sensor 1.4571-3.1B 400 °C | Standard | D693B080U01 | - | |

| Position | Name of part | Variant | Order number | Weight kg (lb) | Price (€) |
|----------|--|---------|--------------|----------------|-----------|
| 7 | O-ring 10.76 x 2.62 VITON | - | 101V709 | - | |
| | O-ring 10.77 x 2.62 KALREZ 0° ... 280° | - | D101K002U01 | - | |
| | O-ring 10.77 x 2.62 KALREZ -20° ... 275° | - | D101K004U01 | | |
| | O-ring 10.77 x 2.62 PTFE | - | D101C001U01 | | |
| | Washer 20 x 10 x 1 NOVAPH.SSTC | - | D333C126U01 | - | |
| 8 | Cheese head screw M6 x 16 -3.1A | - | D009J112AU28 | | |
| | Cheese head screw M6 x 16 -3.1B | - | D029J112AU26 | | |
| 9 | Spring washer 6.0 | - | D085L026ZU20 | - | |

2.5 Converter bracket



G10293

Fig. 8

| Position | Name of part | Variant | Order number | Weight kg (lb) | Price (€) |
|----------|----------------------------------|----------|--------------|----------------|-----------|
| | Wall bracket 4-ADR M20 X 1,5 VR4 | Standard | D612A163U01 | - | |
| | Wall bracket 4-ADR 1/2"NPT VR4 | Standard | D612A163U02 | - | |
| | Wall bracket 8-ADR M20 X 1,5 VR4 | Standard | D612A163U03 | - | |
| | Wall bracket 8-ADR 1/2"NPT VR4 | Standard | D612A163U04 | - | |
| | Wall bracket 4-ADR M20 X 1,5 VR4 | Ex I | D612A163U05 | - | |
| | Wall bracket 4-ADR 1/2"NPT VR4 | Ex I | D612A163U06 | - | |
| | Wall bracket 4-ADR 1/2"NPT VR4 | Ex D | D612A163U09 | - | |
| | Wall bracket 8-ADR 1/2"NPT VR4 | Ex D | D612A163U10 | - | |

Notes

Contact us

To find your local ABB branch, go to:
www.abb.com/contacts

Additional product information is
available at:
www.abb.com

ABB Automation GmbH

Service Instrumentation
Dransfelder Str. 2
37079 Göttingen
Germany

Note

We reserve the right to make technical changes and changes affecting content to this document at any time without prior notice.

Orders are subject to the agreed detailed terms and conditions. ABB cannot be held responsible for any errors or omissions in this document.

We reserve all rights to this document and its content, including images. This document must not be copied, shared with third parties, or its content (in whole or in part) used without the prior written permission of ABB.

Copyright© 2013 ABB
All rights reserved

3KXF300002R4701

SPL/FV4000/FS4000-EN Rev. B 10.2013