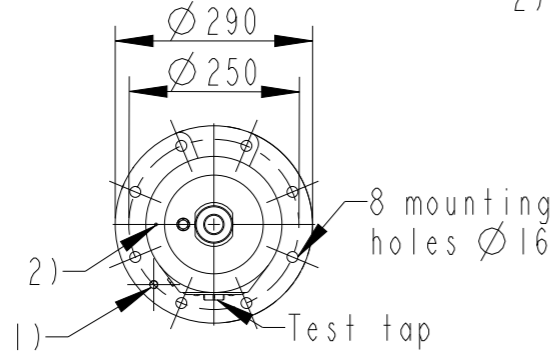
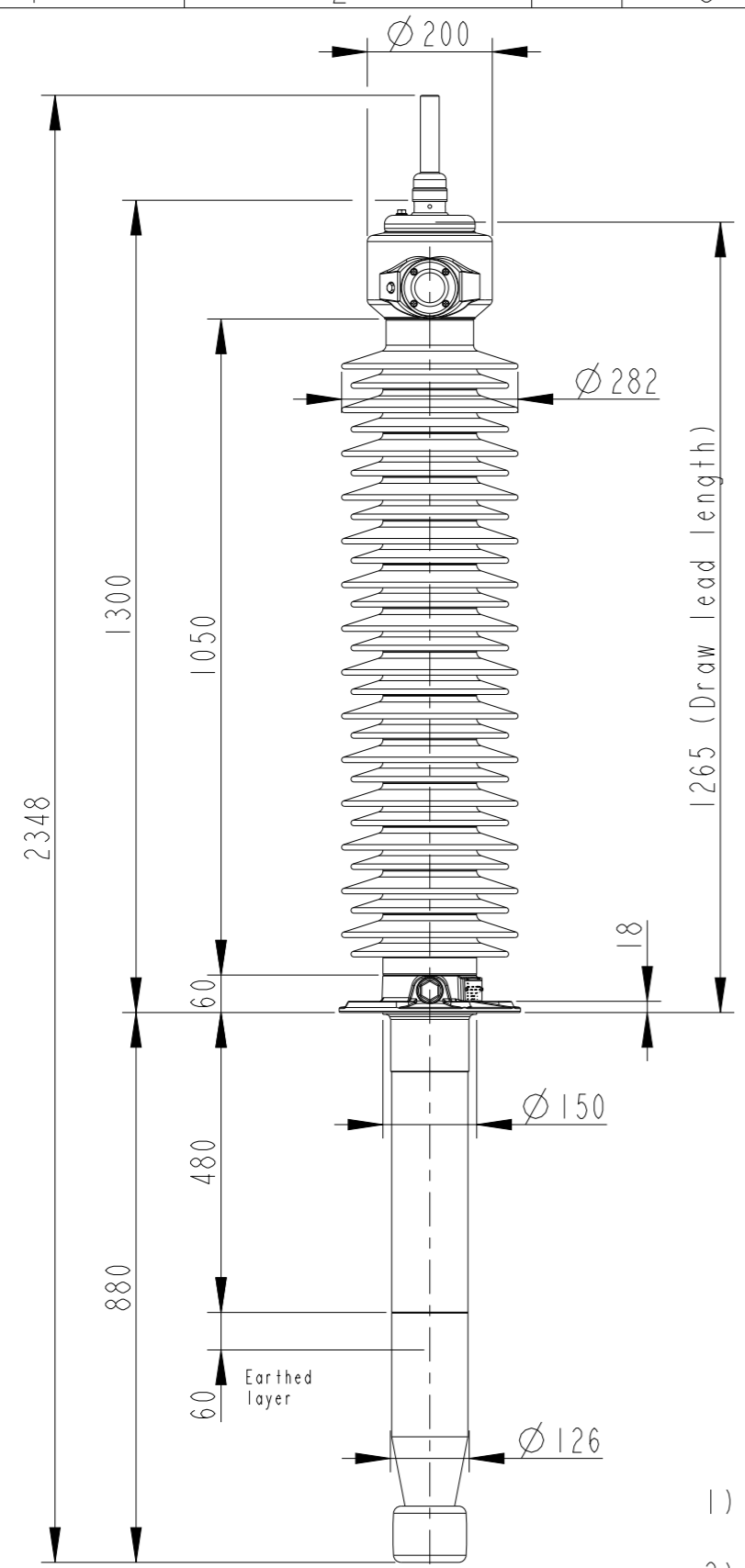


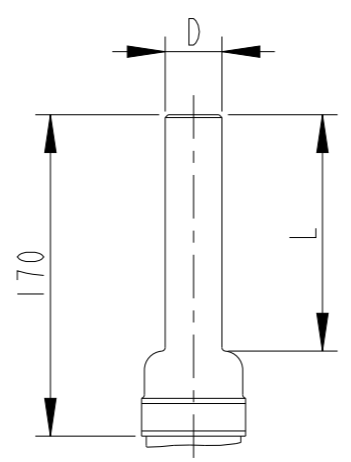
This document is issued by means of a computerized system. The digitally stored original is electronically approved. The approved document has a date entered in the "Approved"-field. A manual signature is not required.

We reserve all rights in this document and in the information contained therein. Reproduction, use or disclosure to third parties without express authority is strictly forbidden.

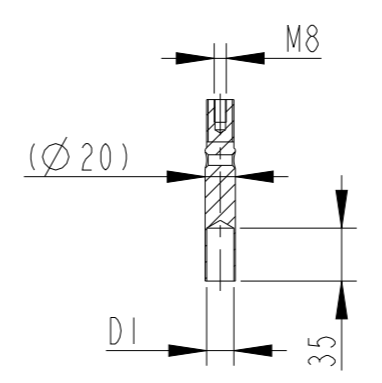
Revision	Revision text
D	Phase to Ground Voltage changed from 123 to 98kV



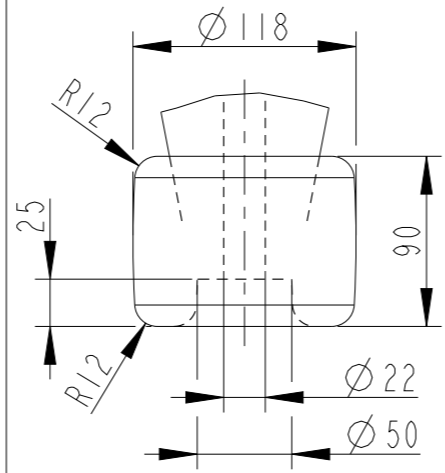
OUTER TERMINAL



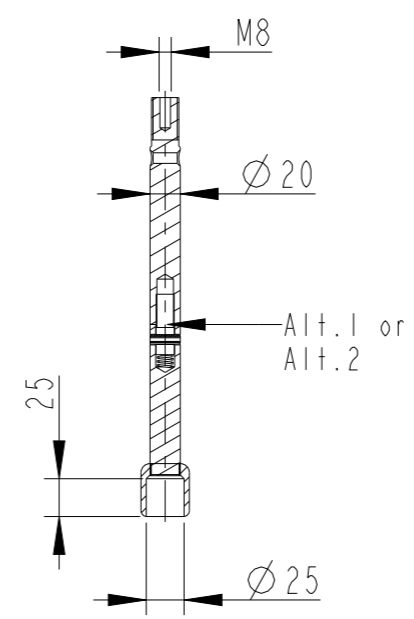
INNER TERMINAL FOR STRANDED CABLE



END SHIELD



SOLID ROD CONNECTOR



The solid rod can be divided either:
 Alt.1: 20mm below the bushing flange or
 Alt.2: 20mm below the upper end of the bottom porcelain

- 1) M12 (For Earthing)
- 2) Ø4 Oil connection hole (only valid for horizontal mounting)

Bushing Data:

Rated Voltage	170	kV
Phase to Ground Voltage	98	kV
Dry Lightning Impulse 1,2/50µs	550	kV
Wet power frequency AC	230	kV
Routine test Imin dry 50Hz	260	kV
Rated Current	800	A
Creepage Distance	3890±100	mm
Creepage Distance Protected	1530	mm
Mass	98	kg

Ordering Data:

BUSHING	COLOUR	AIR INSULATOR
LF123191-K	BROWN	
LF123191-L	LIGHT GREY	
LF123191-HK	BROWN	Horizontal 45°-90°
LF123191-HL	LIGHT GREY	Horizontal 45°-90°

OUTER TERMINAL	Material	D	L
LF 170 002-A	Cu alloy, Ø30,125		
LF 170 001-A	Al, Ø30,125		

OTHER TYPES ON REQUEST

INNER TERMINAL FOR STRANDED CABLE	Conductor area	D
For brazing		
LF 170 011-S	up to 150mm²	Ø18
LF 170 011-U	Undrilled with pilot hole	Ø5

For crimping or brazing	Conductor area	D
LF 170 010-M	50mm²	Ø11
LF 170 010-N	70mm²	Ø13
LF 170 010-L	95mm²	Ø15

SOLID ROD CONNECTOR	Material
LF 170 019 -BH for Alt.1	Cu
LF 170 019 -BK for Alt.2	Cu

ABB		Ludvika, Sweden	
No.	Um	kV Ir	A 50/60 Hz
○	BIL	kV SIL	kV AC
	M	kg L	mm ✓
	C1	pF Tan δ	x
	C2	pF Tan δ	x

Created by Jacob Stefansson	Reviewed by Joakim Persson	Approved by Natalia Gutman		
Approved 2019-11-06	Document Kind Outline Drawing	Based on doc.id	Work order id	Project id
Company ABB Technology Ltd	Title, Supplementary title GOB 550-800-0.5 WITH OIL LEVEL GAUGE STD END SHIELD			
Responsible Department SEABB-9AAE300824	Document id 2751369-209	Status Released	Revision D	Iteration 1/1
ABB				