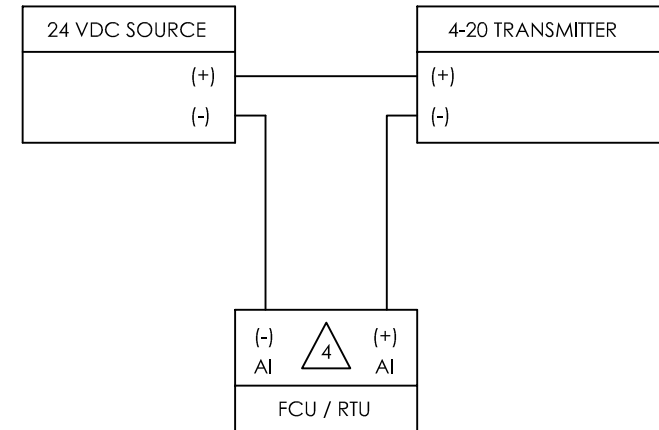


NOTES:

- 1. TRANSMITTERS MUST BE "LOW POWER" 1-5 VOLT VERSIONS IF POWERED FROM FCU.
- 2. 6400/6700 FCU/XFC/XRC WILL ACCEPT ONLY 12V.
- 3. REMOVED
- 4. A 250 OHM RESISTOR IS NEEDED IF THE AI IS A 4 - 20 mA INPUT. RESISTOR ATTACHED ACROSS AI (+) AND AI (-).

REVISIONS					
REV	ACTION	DRAWN	CHECKED	APPROVED	DATE
AD	D16629	KASTNER	KASTNER	BUSHNELL	05/01/24
AE	D20713	KASTNER	KASTNER	BUSHNELL	07/08/29
AC	D12522	KASTNER	KASTNER	HOLLAND	02/01/17

4 - 20 mA TWO WIRE EXTERNAL TRANSMITTERS



ASSEMBLY/QUANTITY	ITEM NO.	PART NUMBER	DESCRIPTION	REF/ZONE DESIG MATERIAL	UNIT MEAS
PARTS LIST					
DO NOT SCALE DRAWING	UNLESS OTHERWISE SPECIFIED DIMENSIONS ARE IN INCHES	PRODUCT LINE TOTALFLOW®	LEVEL 3	ABB TOTALFLOW Products	
THIRD ANGLE PROJECTION 	TOLERANCES ARE: DECIMAL .XX ± -- ANGULAR ± -- .XXX ± --	DESIGN G. HOLLAND	DATE 00/08	TITLE WIRING INTERCONNECT	
	BREAK ALL SHARP CORNERS AND EDGES DIMENSIONS APPLY BEFORE FINISH	DRAWN A. KASTNER	00/08/07	WI - EXT XDRC TO 6400/6700 FCU/XFC/XRC	
		CHECKED A. KASTNER	00/08/07	WI	
		APPROVED G. HOLLAND	00/08/07	SCALE NONE	SIZE B
				DWG TYPE WI	DRAWING NO. 2100247
				REV AE	SHEET 1 OF 2

