

2750 515-6 EN, REV. A, 2019-04-16

Rod gaps for bushings type GOE

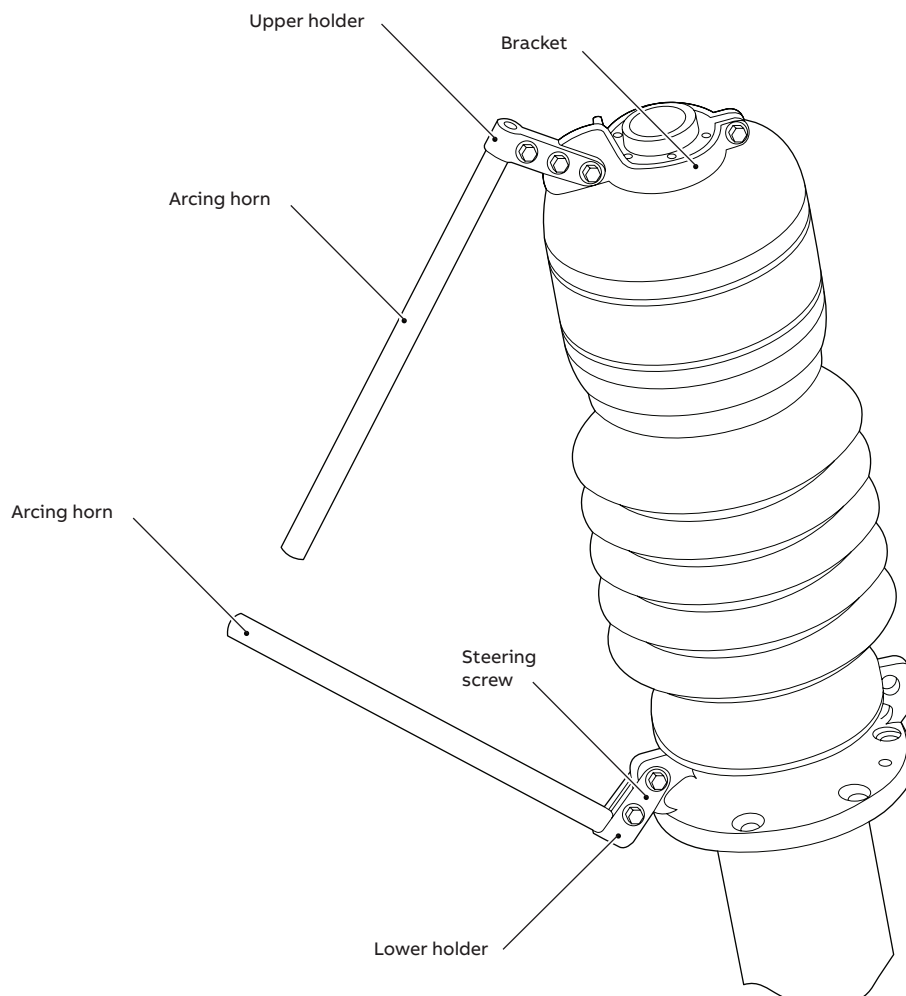
Product information

General

Surge arresters are firmly recommended by ABB for over-voltage protection. All GOE 250–1300 can, however be furnished with rod gaps upon request. This information describes the design, adjustment and mounting of gaps for GOE bushings.

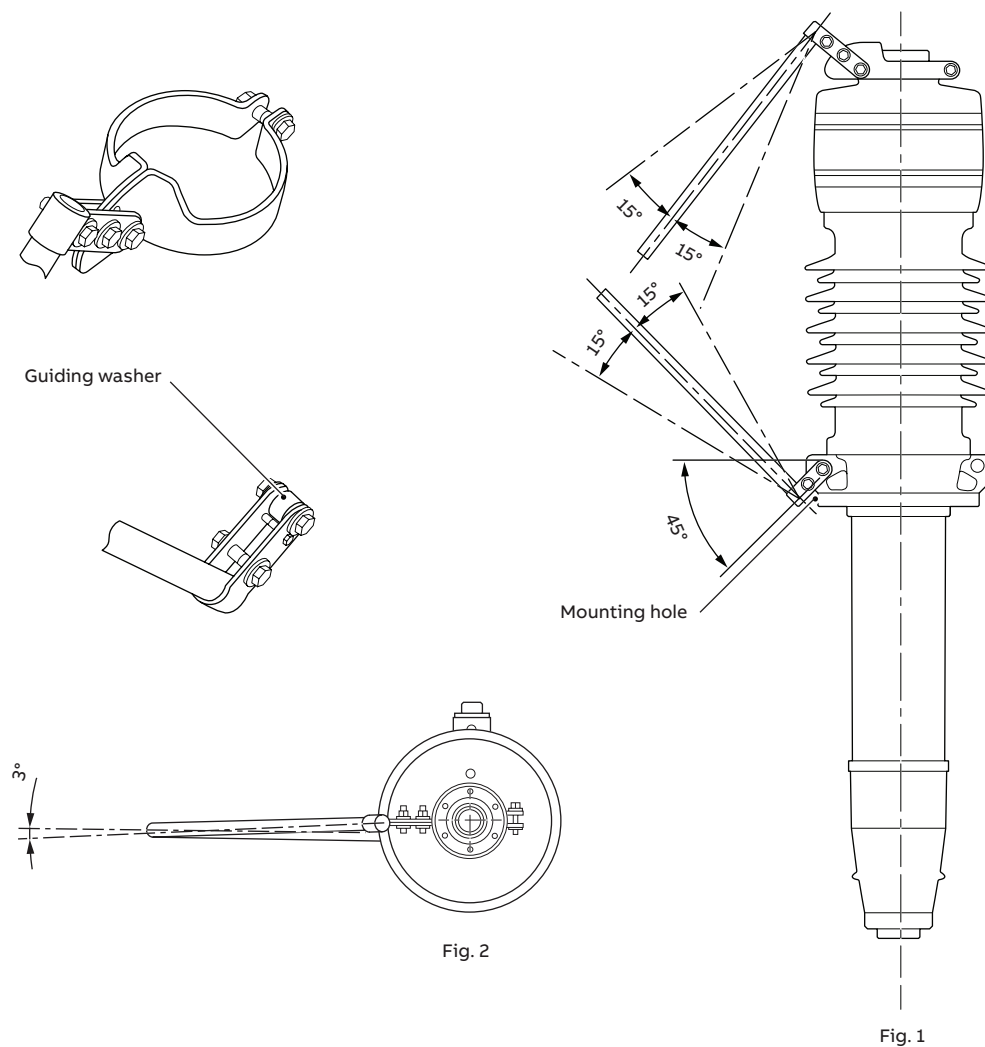
Design

To protect the bushing from flashovers, arcing horns can be used. These contain of a bracket screwed together with a holder at the top nut. The upper arcing horn is fixed in the upper holder. The lower holder is bolted to the flange and positioned by a steering screw. The lower arcing horn is fixed in the holder.



Mounting

Make sure that there is contact between the lower holder and flange. Place the guiding washer inside the lifting lug hole, and then screw the lower holder to the bushing flange. Place the lower arcing horn in the holder aligned edge to edge and fix it with the screws. The bracket and the upper holder are screwed together against the top nut on the bushing. Orientate the upper part approx. 3° as in Fig. 2, then adjust the gap distance by moving both upper and lower arcing horn according to Fig. 1 ($\pm 15^\circ$). After all adjustments are made, screw tight and finally drill a hole of $\varnothing 6.5$ mm in the flange where the hole in the lower holder is, put in the screw and the nut, and screw tight.



Adjustment

The length of the bushing insulators are mainly determined by the switching impulse withstand level. This value has thus been used for the selection of the gap setting range. The actual setting is usually prescribed by the customer. In case no value is given, we recommend a setting, according to the enclosed curve.

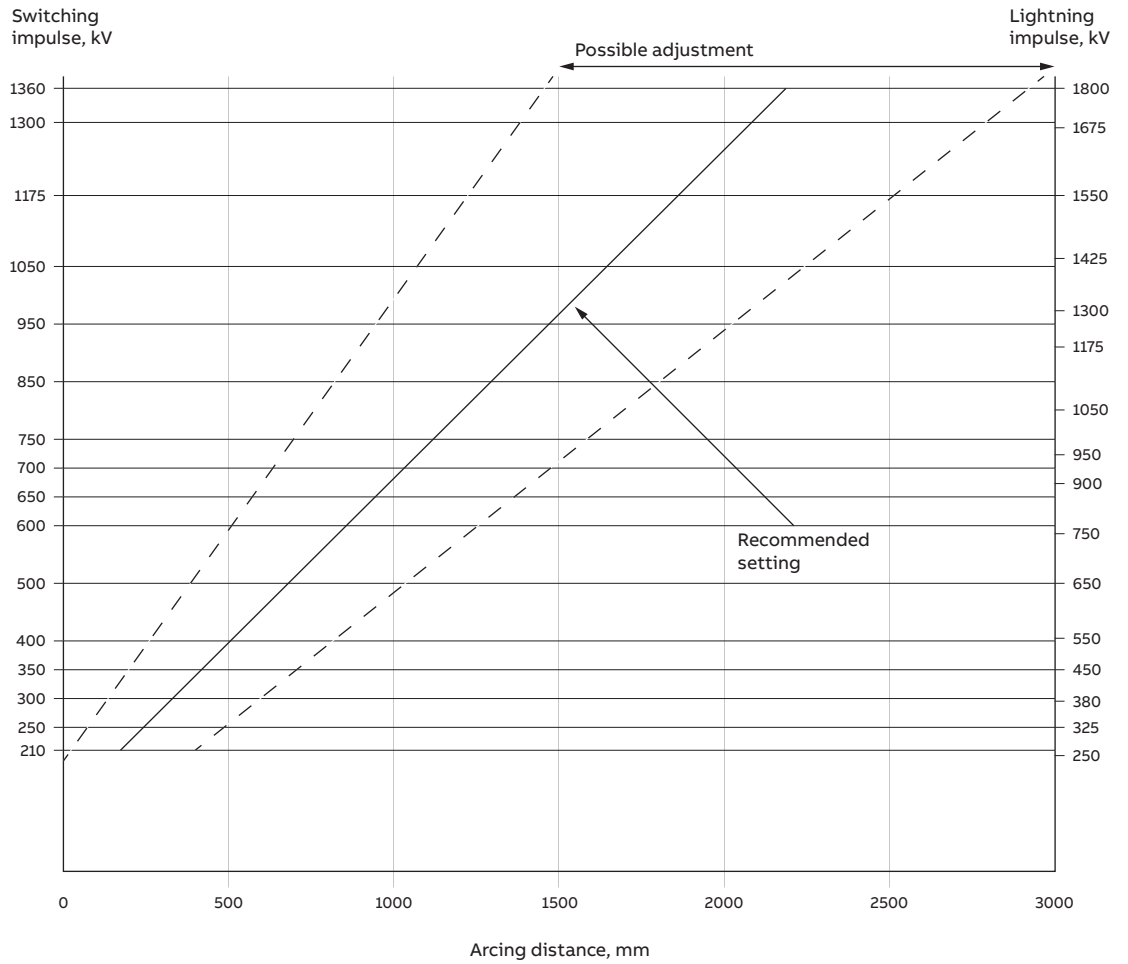


ABB AB, Components
SE-771 80, Ludvika
Sweden
E-mail: sales@se.abb.com

We reserve the right to make technical changes or modify the contents of this document without prior notice. With regard to purchase orders, the agreed particulars shall prevail. ABB AG does not accept any responsibility whatsoever for potential errors or possible lack of information in this document.

We reserve the rights in this document and in the subject matter and illustrations contained therein. Any reproduction, disclosure to third parties or utilization of its contents - in whole or in parts - is forbidden without prior written consent of ABB AG. Copyright© 2017 ABB
All rights reserved