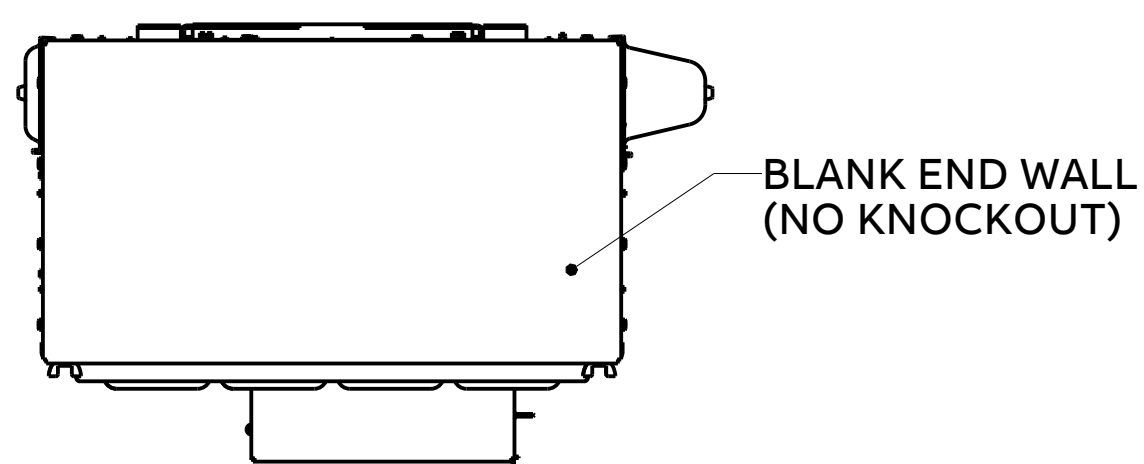
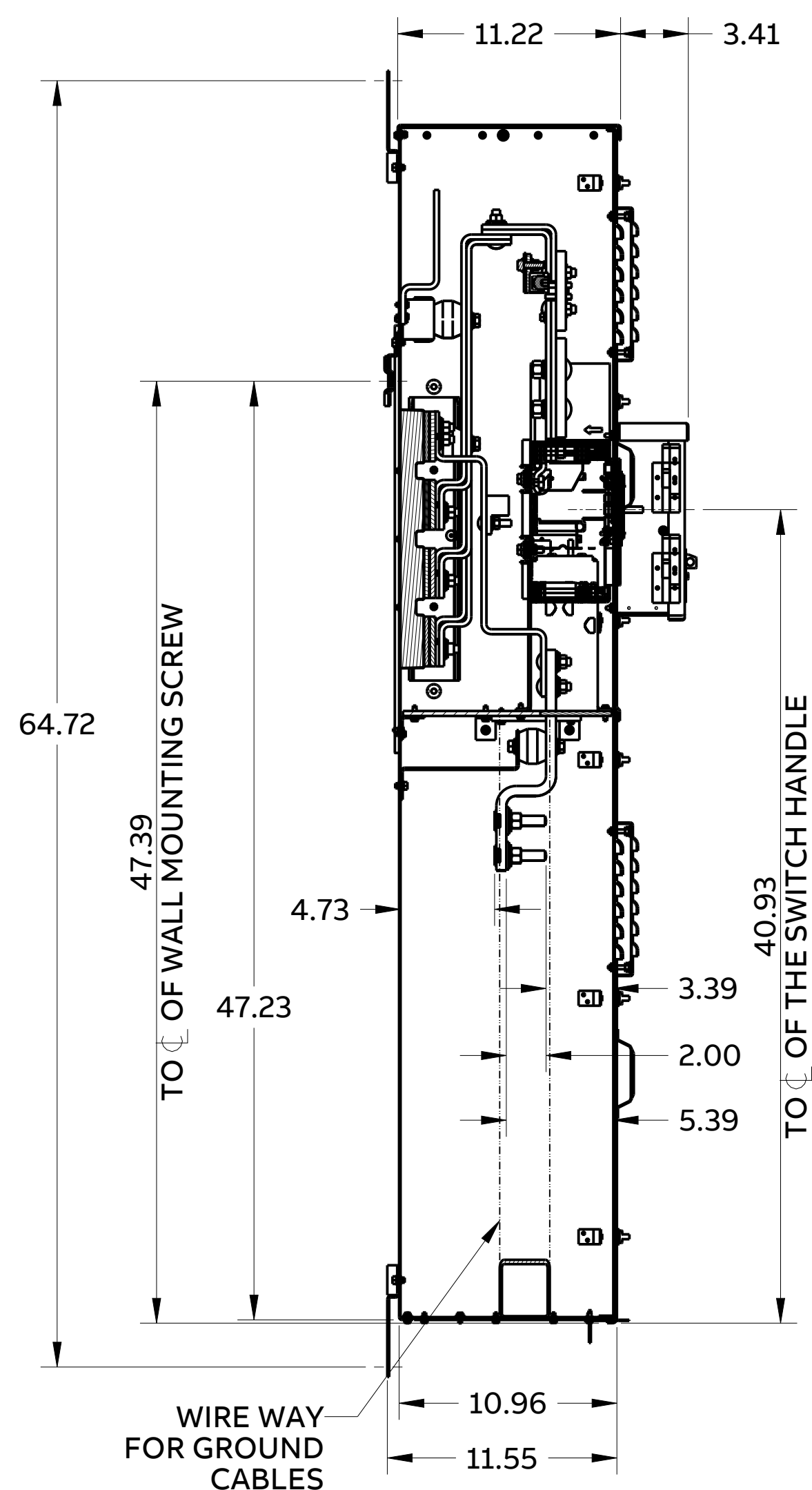


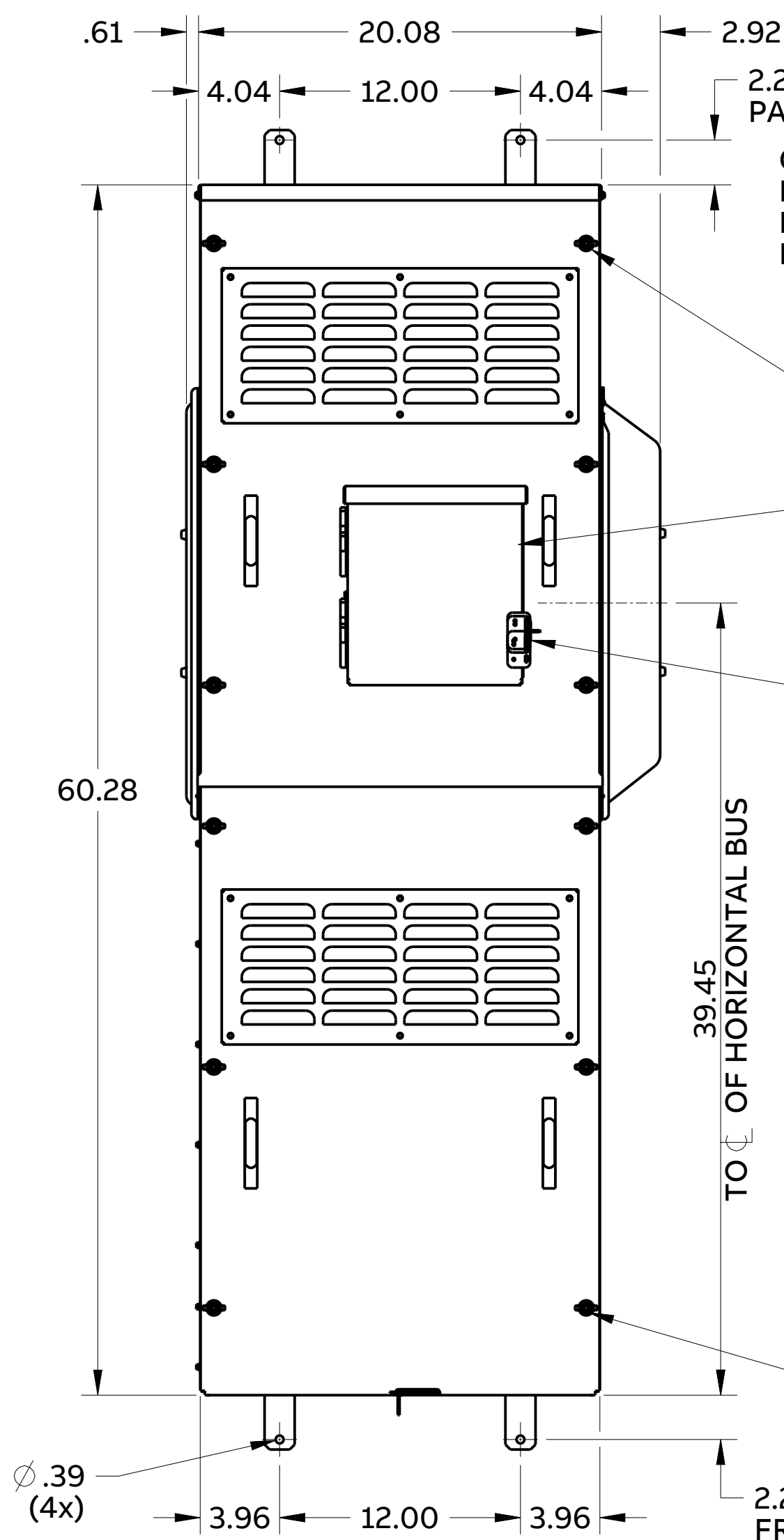
TOP VIEW



SECTIONAL SIDE VIEW



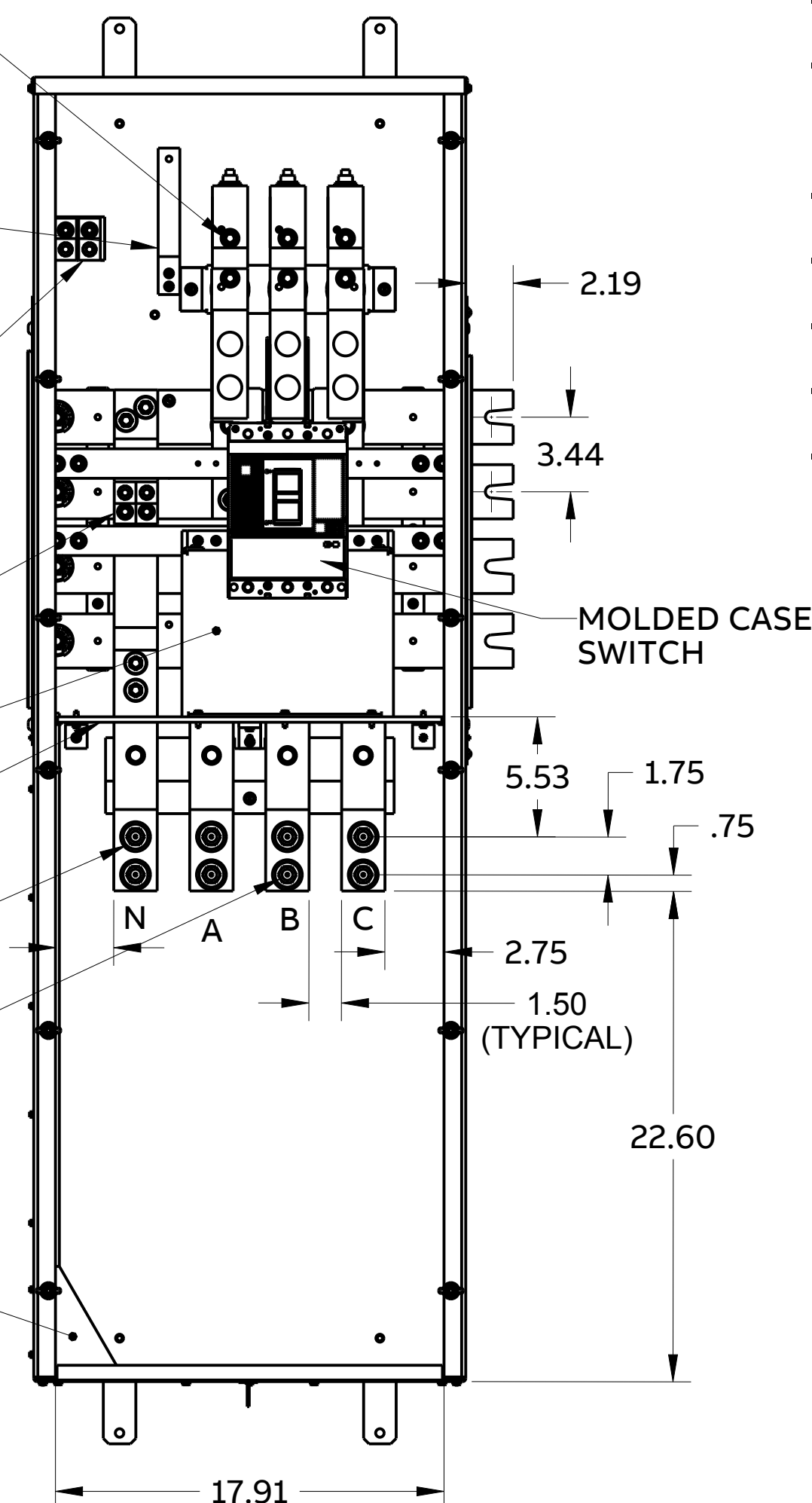
FRONT VIEW



CLASS T FUSE PROVISIONS. FUSES ARE NOT INCLUDED. INSTALL CLASS T FUSES PRIOR TO ENERGIZING.

- BONDING JUMPER
- SEALING PROVISIONS (TYPICAL)
- SWITCH ACCESS DOOR
- ALTERNATE GROUND POSITION
- PADLOCK PROVISION
- GROUND POSITION
- LINE SIDE BARRIER
- PARTITION BARRIER
- NEUTRAL LUG PROVISIONS
- LINE SIDE PHASE LUG PROVISIONS
- WIRE WAY FOR GROUND CABLES
- SEALING PROVISIONS (TYPICAL)

FRONT VIEW (WITH OUT FRONT COVERS)



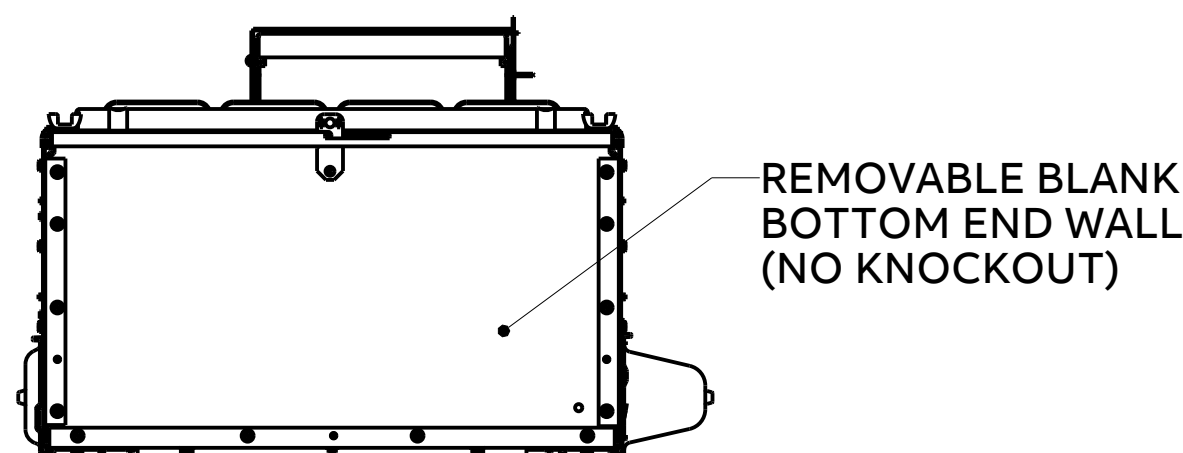
Specification:

- Phase: 3-Phase 4-Wire
- Voltage: 208Y/120V
- Amperage: 400A
- Switch Frame: XT5S-D
- Fuse Provision Type: Class T, 300V Max (Fuses not included)
- SCCR: 100kA with Fuse Installed (Class T)
- Incoming Feed: Bottom Only
- Enclosure: N3R Outdoor
- Estimated Weight: 240 lbs
- Meets EUSERC Requirements, EUSERC Drawing Reference 315, 343, 347

Conductor Range:

- Phase lugs and neutral lugs not included, Landing Pad only.
- Landing Pad has provision for double hole lugs up to (1) 750kcmil Cu/Al.
- Ground Lugs: (2) #6-350 kcmil Cu/Al.

BOTTOM VIEW



**400A MAIN FUSIBLE SWITCH
100kA 3PH 4W 208Y/120V N3R EUSERC**

THIRD ANGLE	SHEET#	CATALOG NO.	DATE	REV
	1 of 1	RMM3FE4RCLL	08-Aug-23	A

DIMENSIONS: INCH