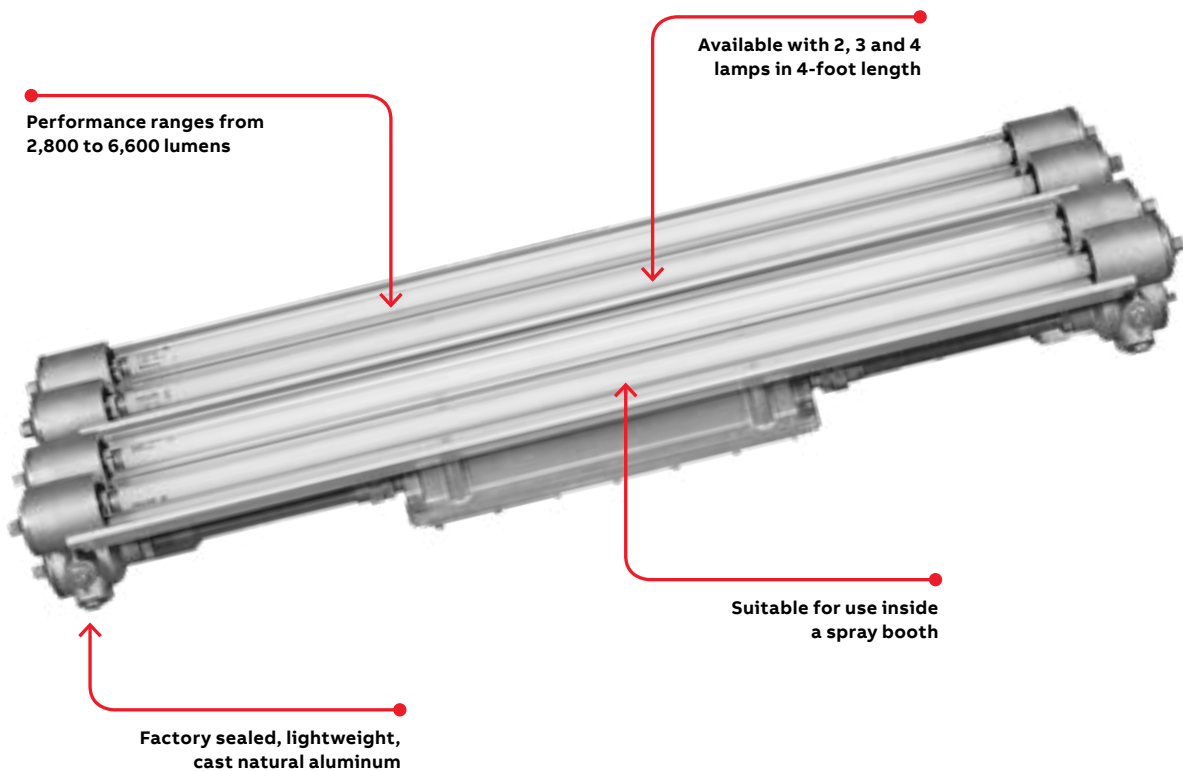


XLN7

LED Series

Versatile, lightweight, explosion-proof lighting that is built to last. Can be mounted on walls, ceilings or inside a spray booth.



CERTIFICATIONS



UL844
UL 1598 wet/damp
UL8750



CLASSIFICATION

CLASS I	
Division 1	Groups C, D
Division 2	Groups A, B, C, D
Zone 1	Groups IIB, IIA
CLASS II	
Division 1	Group E, F, G
Division 2	Group E, F, G
CLASS III	
CLASS I and II Simultaneous Presence	

Contact your ABB sales representative to verify classification

XLN7 LED

Key features and benefits

Standard features

- Factory-sealed, lightweight cast natural aluminum
- 5 Different ½" NPT hubs entries at each end
- Center ballast placement for better balance and low profile
- Available with 2, 3 or 4 lamps in 4-foot length
- One-piece painted aluminum reflector
- Suitable for use inside a spray booth

Construction

- Cast natural aluminum
- 0.189" wall borosilicate glass tubes

Electrical

- Available with low or standard ballast factor
- Wattage ranging from 29 W in the 2-lamp standard configuration, to 58 W in the 4-lamp configuration (see wattage table below)
- Voltage of 120 to 277 (50/60Hz) and 347 available

Color rendering index

- Superior CRI (80+)

Options

- Wall and ceiling mount kit (4 lamps)
- Wire guard
- Polycarbonate shield
- 93% reflective premium specular reflector insert

Accessories

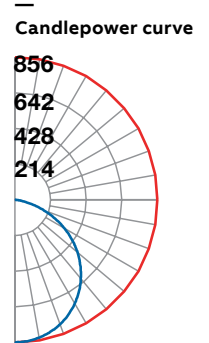
- Wall, ceiling and drop mount kit

Performance

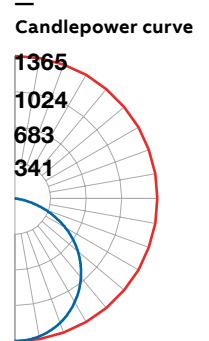
Lamp qty.	Source (ballast factor)	Average system watts	Initial lumen output	Color temperature
2 Lamp	S - Standard	29	3200, 3300	4000K, 5000K
3 Lamp	S - Standard	43.5	4800,4950	4000K, 5000K
4 Lamp	S - Standard	58	6400,6600	4000K, 5000K

Photometry ceiling mount

Reference data	
Catalog number	XLN7S5K24UN
Luminaire lumens	3,024 Lumens (2 lamps)
Luminaire efficacy rating (LER)	105
Input watt	28.68
Spacing criterion (0-180)	1.26
Spacing criterion (90-270)	1.40
Spacing criterion (diagonal)	1.48



Reference data	
Catalog number	XLN7S5K34UN
Luminaire lumens	4,803 Lumens (3 lamps)
Luminaire efficacy rating (LER)	110
Input watt	43.72
Spacing criterion (0-180)	1.26
Spacing criterion (90-270)	1.40
Spacing criterion (diagonal)	1.48



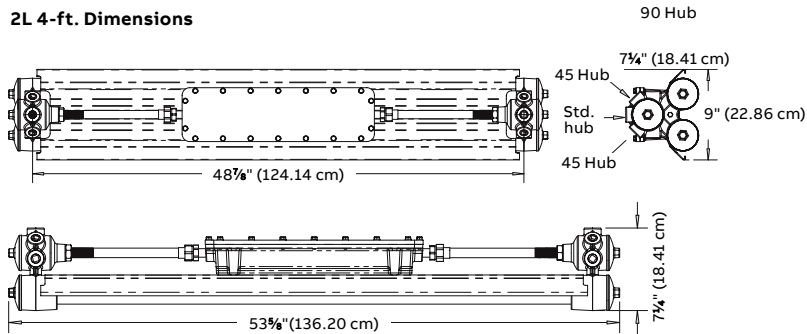
T-Ratings

Model	Rated ambient (°C)	Class I, Division 1 Groups C, D	Class I, Division 2 Groups A, B, C, D	Class II, Division 1 Groups E, F, G	Class II, Division 2 Groups E, F, G	Class I and II simultaneous presence
XLN7	40	T6 (85°C)	T6 (85°C)	T4 (135°C)	T4 (135°C)	T4 (135°C)

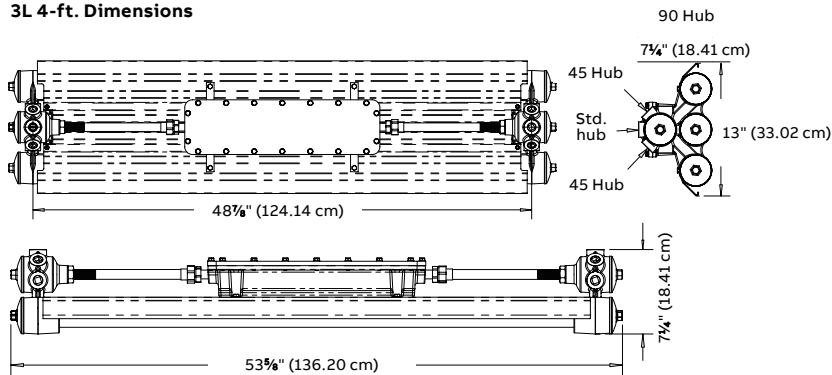
XLN7 LED

Dimensions

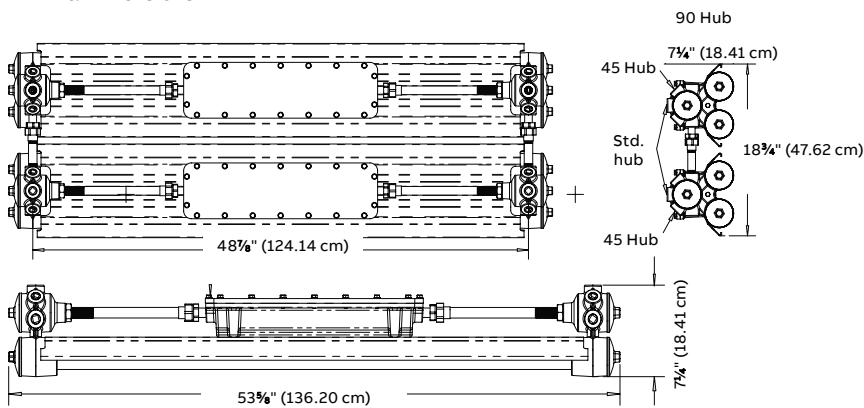
2L 4-ft. Dimensions



3L 4-ft. Dimensions

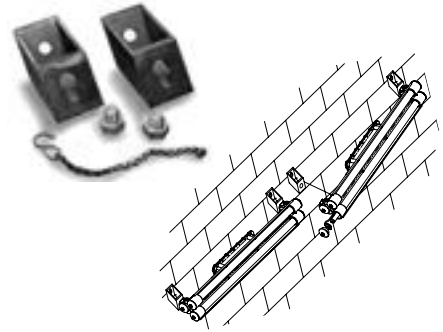


4L 4-ft. Dimensions



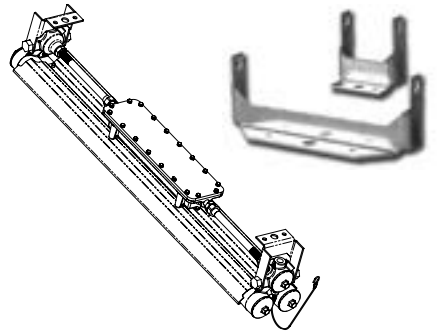
Mounting options

Wall/ceiling mount kit for 2 or 3 lamps
 P/N: XLN7-4401



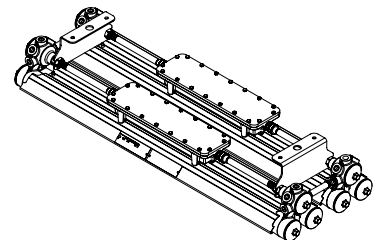
Wall/ceiling mount kit for 4 lamps
 P/N: XLN7-4400

These are factory fitted. Please contact sales office for further details.



Drop-mount kit for 2 or 3 lamps
 P/N: XLN7-4405

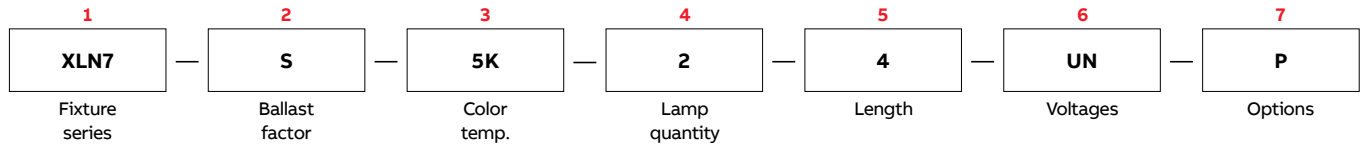
For 4 lamps
 P/N: XLN7-4403



XLN7 LED

Numbering system

Lighting fixture



Lighting fixture

Part	Part number	Description
1 Fixture series	XLN7	ABB-EX Solutions Linear Luminaire 7 Series
2 Ballast factor	S	Standard ballast factor
3 Color temperature	4K	4000K
	5K	5000K
4 Lamp quantity	2	2 lamp configuration, 4' length
	3	3 lamp configuration, 4' length
	4	4 lamp configuration, 4' length
5 Length	4	4' length
6 Voltages	UN	Universal voltage 120-277 50/60 Hz
	34	347 Volt

Options

Part	Part number	Description
7 Options	P	Polycarbonate shield 2 lamps 4'
	WG	Stainless steel guard
	MK	Wall/ceiling mount kit (4 lamps)

Accessories (order separately)

Part number	Description
XLN7-4401-EX	Wall and ceiling hanger kit 2 or 3 lamp
XLN7-4405-EX	Drop hanger kit 2 or 3 lamp
XLN7-4403-EX	Drop hanger kit 4 lamp
XLN7-4211-EX	Stainless steel guard 2 lamp 4'
XLN7-4557-EX	Stainless steel guard 3 lamp 4'
(2)XLN7-4211-EX	Stainless steel guard 4 lamp 4'
XLN7-4209-EX	Polycarbonate shield 2 lamp 4'
XLN7-4497-EX	Polycarbonate shield 3 lamp 4'
(2) XLN7-4209-EX	Polycarbonate shield 4 lamp 4'

