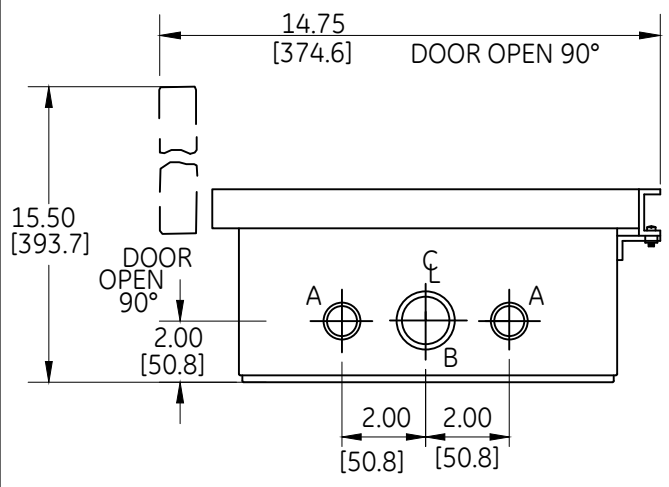
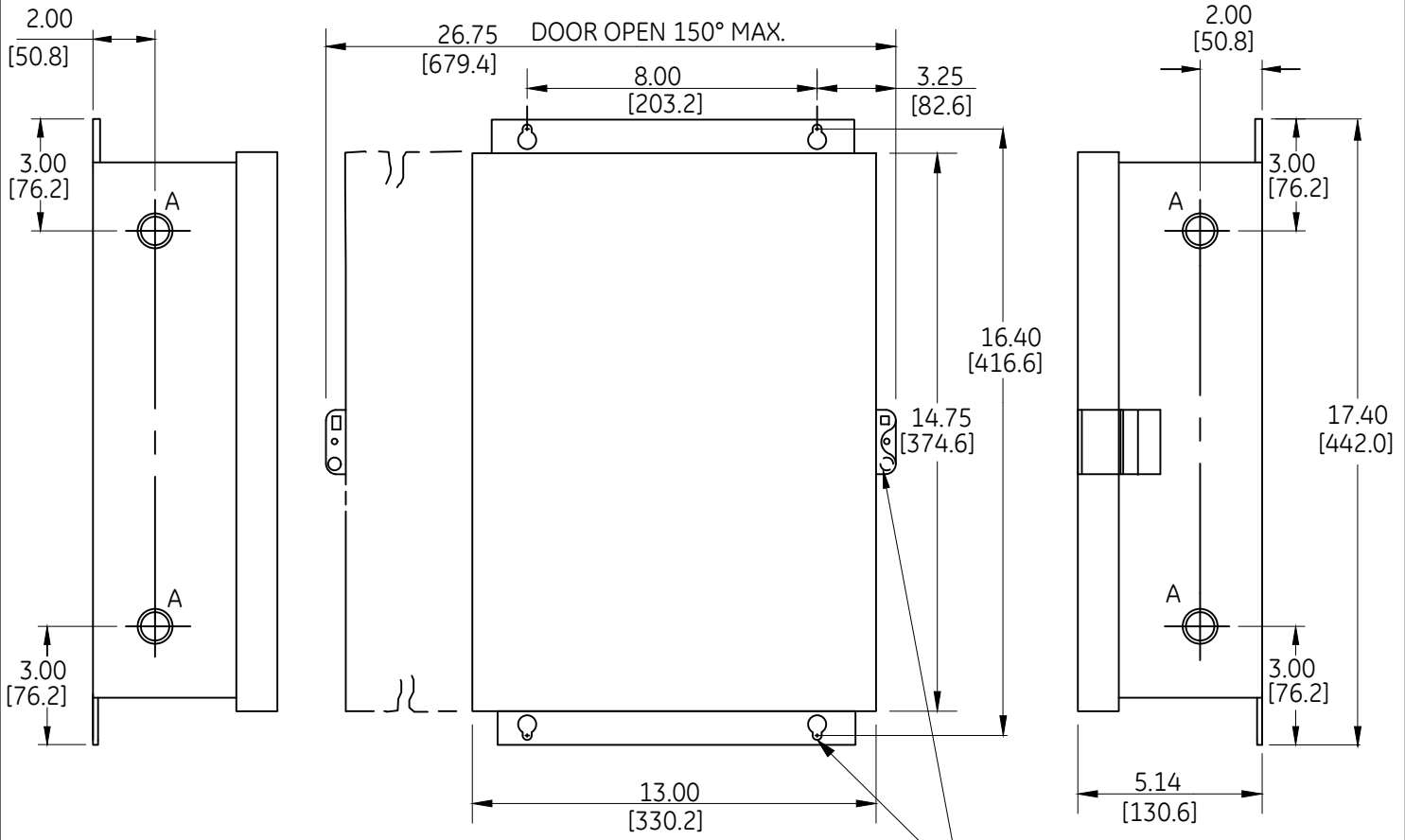
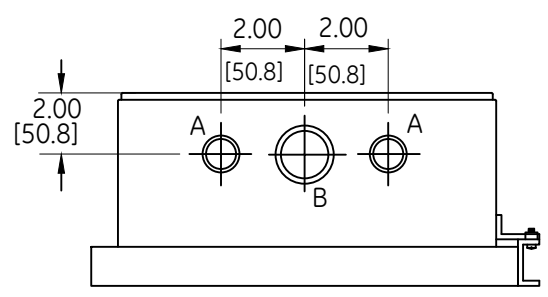


DUAL DIMENSIONS INCHES (ESTIMATING ONLY)
[MILLIMETERS]



0.50 DIA HOLE FOR PADLOCK [12.7]
4 MTG. HOLES FOR 0.38 BOLTS. [9.7]

A - COMB. K. O. FOR 1/2" OR 3/4" CONDUIT
B - COMB. K. O. FOR 3/4" OR 1" CONDUIT



OUTLINE
TYPE 1 ENCLOSED

THIRD ANGLE	SHEET#	DWG NO.	DATE	REV
	1 of 1	55-183726	03/21	05