

SAFETY PRODUCTS

Installation guide

JSM D28 Handle profile for Magne

JSM D28 is an aluminum profile used as door handle for Magne 3 and Magne 4 on hinged (conventional) doors. Designed for doors with a minimum opening radius of 200 mm.

Installation shall be done in accordance with a risk assessment for the individual application.

Installation must be carried out by authorized personnel and in accordance with instructions in this document and the 'Magne Product Manual'.

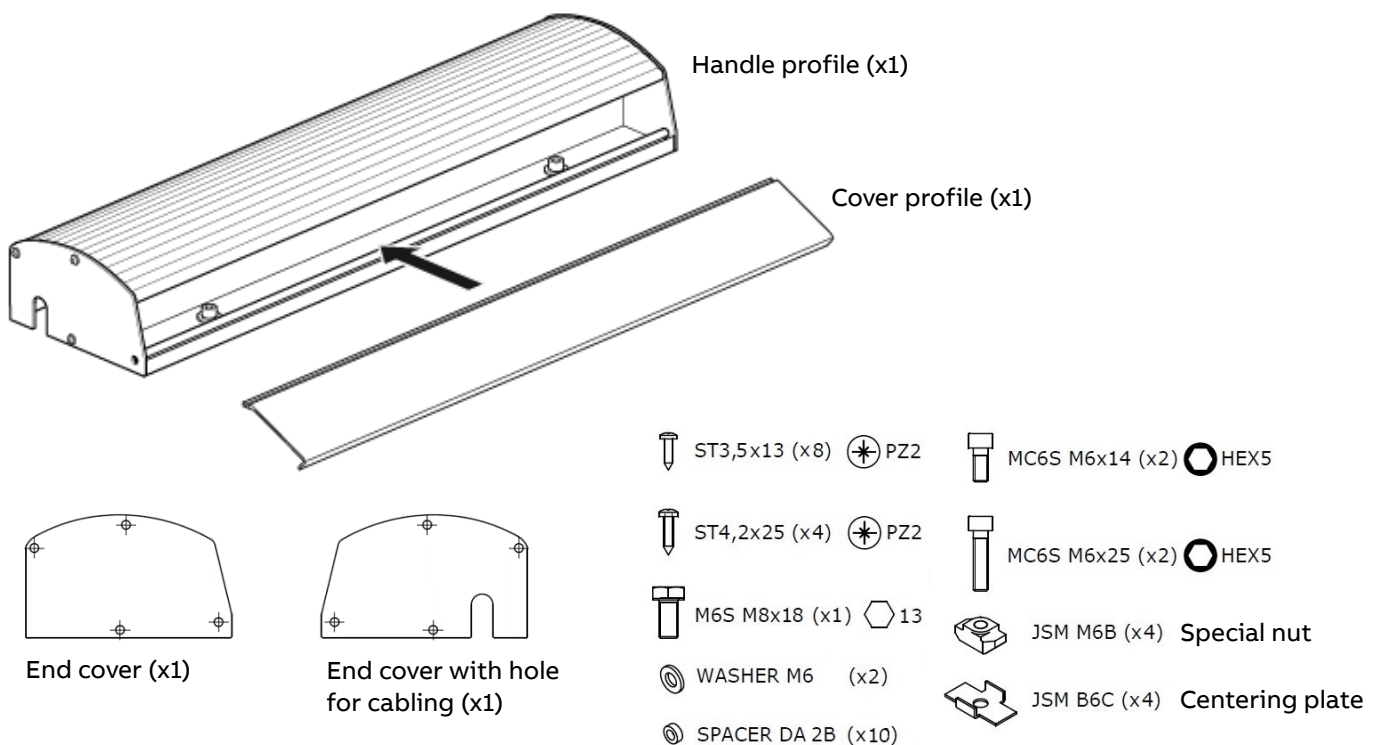
Read and understand 'Magne Product manual' and 'Eden Product manual' before starting the installation. Manuals are found at www.abb.com/jokabsafety

Parts overview

Product ID	Description
2TLA042023R0100	JSM D28 Handle profile in aluminum

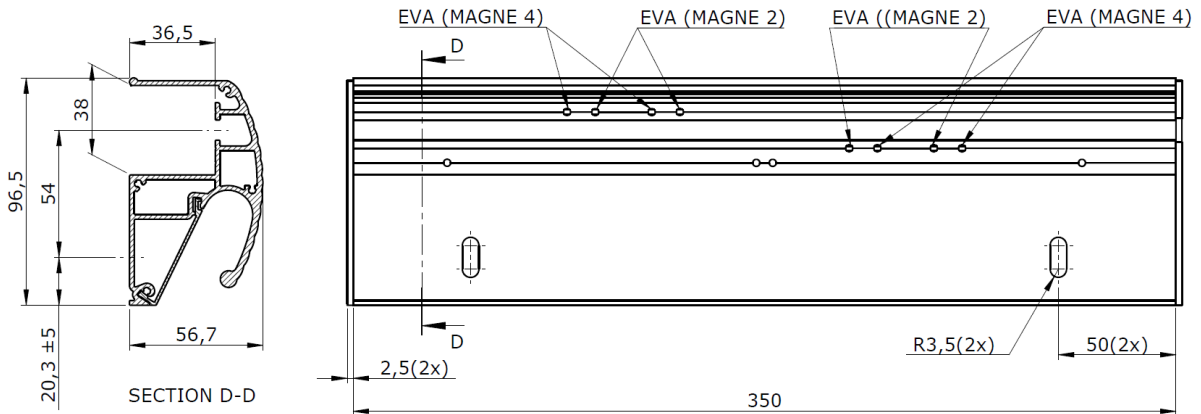
The mounting kit includes all bolts and nuts necessary to install Magne on ABB Quick-Guard © fencing system.

Note! Magne, Eva, anchor plate and cellular rubber are not included in the kit. These items must be ordered separately.



Dimensions

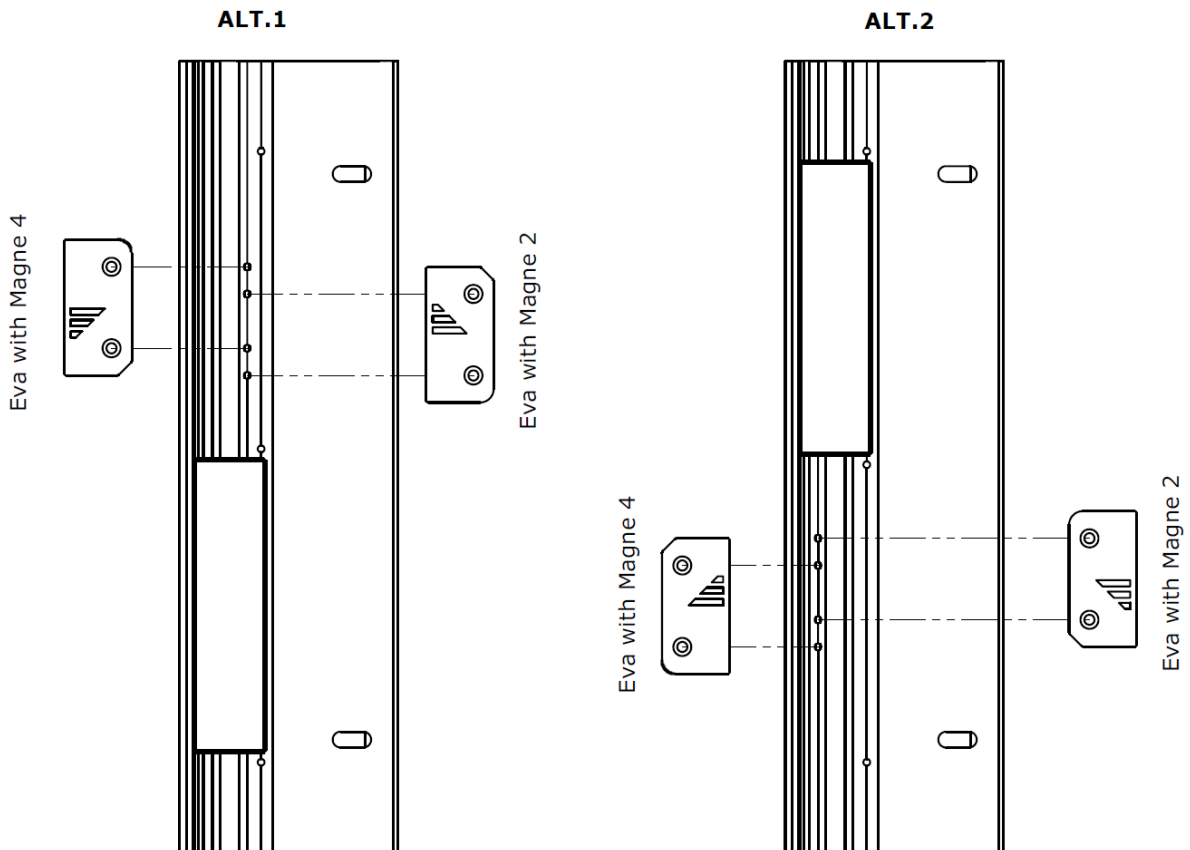
All dimensions are in millimeter (mm).



Handle profile dimensions

Installation and orientation of Eva sensor

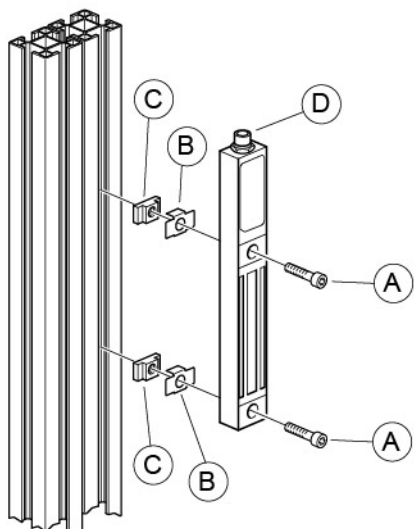
Depending on how Magne is installed on the fence, Eva and the anchor plate can be installed in two ways. Ensure that Eva is installed and oriented in the holes to which the corresponding Magne model is installed. See figures below for alternative ways of installation and orientation of Eva.



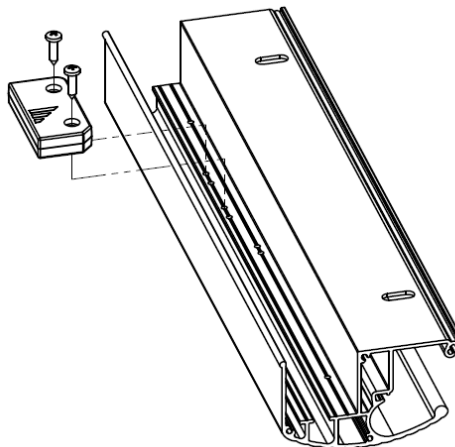
Installation and assembly

Note! In the following step by step instructions, a Magne 4 is installed.

1. Pre-assemble Magne (D) using screw (A), centering plate (B) and special nut (C) and install it on the door post.

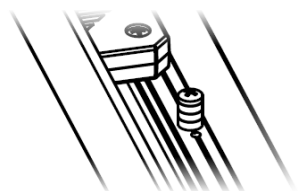
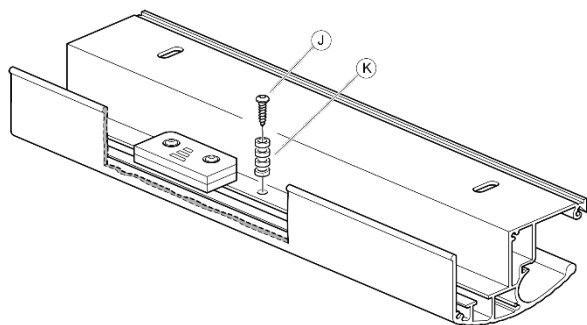


2. Install Eva sensor with self-tapping screw 4.2 x 25 (x2). Make sure Eva is oriented correctly and that the correct installation holes are used.

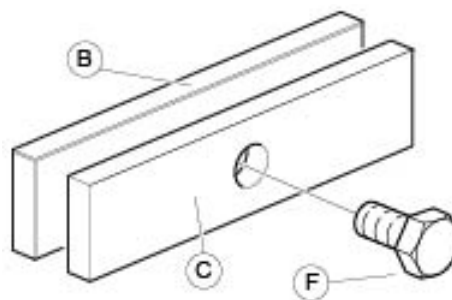


Note! Installation and orientation position of Eva depends on Magne model and how Magne is installed on the fence. Use DA 2B spacers (x2), one in each hole at the back side of Eva.

3. Install positioning/stop screw (J) 4.2 x 25 (x1) and DA 2B spacer (K) (x4) for the anchor plate.

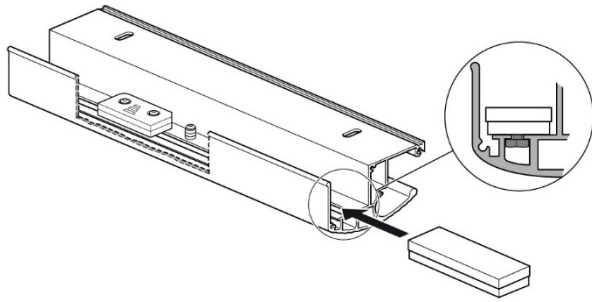


4. Pre-assemble the anchor plate (B) with cellular rubber (C). Tighten the screw M8 x 18 (F) by hand, do not use any tool.

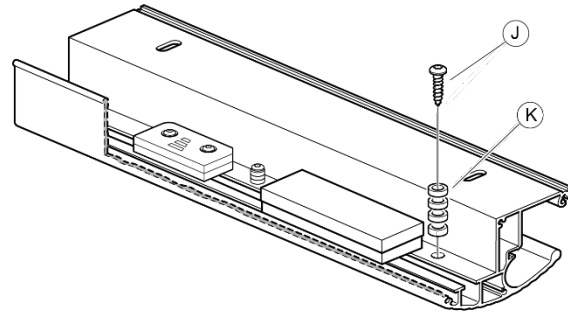


Note! Do not overtighten the screw. This can deform the anchor plate, causing reduced or no holding force. A deformed anchor plate shall be replaced.

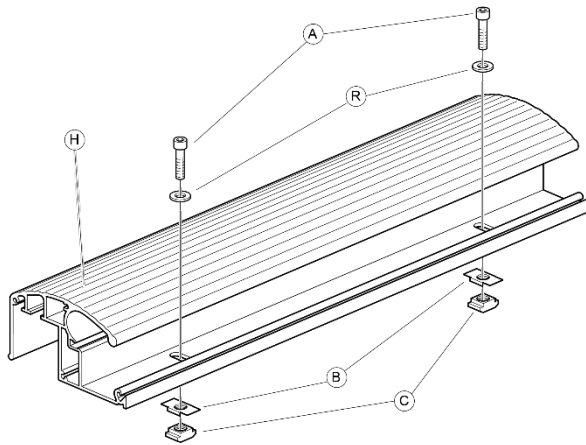
5. Insert/slide the anchor plate into the handle profile.



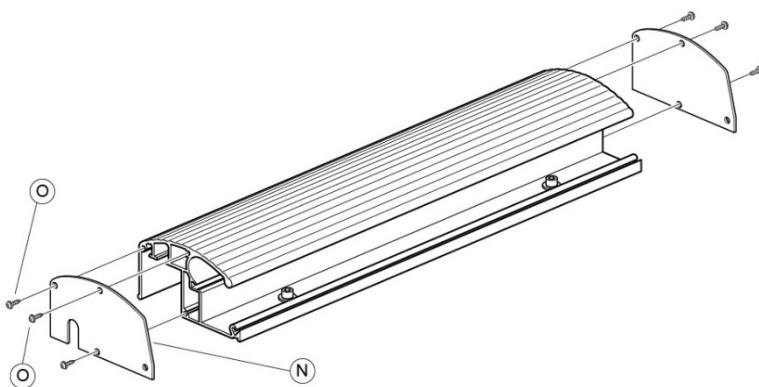
6. Install the positioning/stop screw (J) 4.2 x 25 (x1) and DA 2B spacer (K) (x4) for the anchor plate.



7. Pre-assemble the handle profile (H) using suitable length of M6 screw (A), washer (R), centering plate (B) and special nut (C).

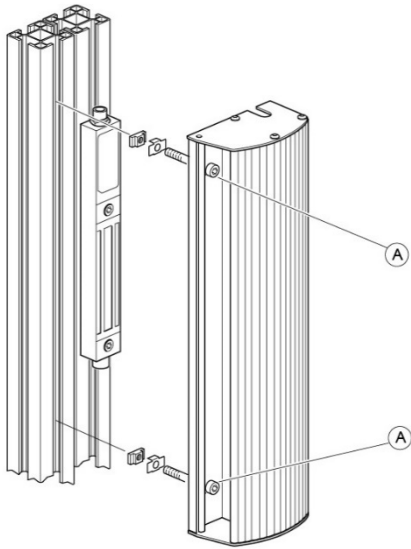


8. Install end cap (N) (x2) on both sides of the profile using self-tapping screws (O) 3.5 x 13 (x6).

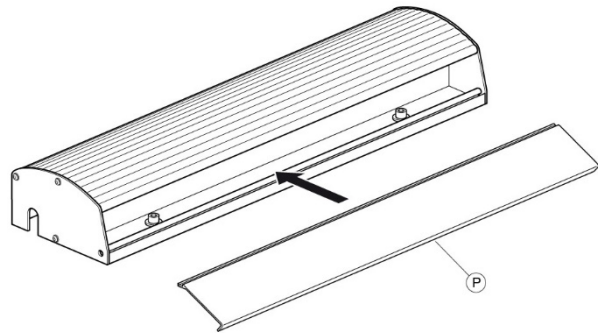


Note! End cap with opening for cabling can be installed on any profile end. The fourth screw is installed later (see step 11).

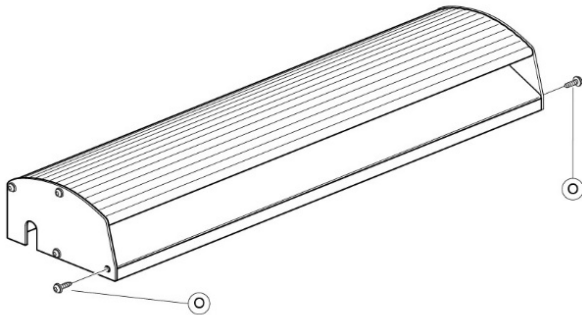
9. Install the handle profile on the door and fasten with screws (A). Make sure the profile placement is aligned with Magne.



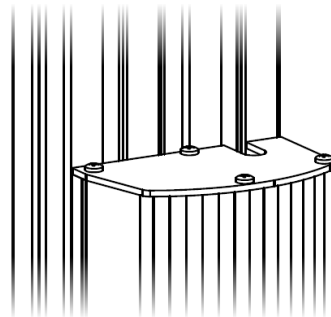
10. Insert the cover profile (P).



11. Install the two remaining self-tapping screws (O) 3.5 x 13 mm (x2) to fixate the cover plate and to finalize the installation.



12. Check the function by opening and closing the door several times.



Complete product range and accessories are found at www.abb.com/jokabsafety