


## SMR SERIES HAZARDOUS LOCATION LIGHTING FIXTURE

Class I, Division 2, Groups ABCD; Class II, Division 2, Groups FG; Class III; Class I, Zone 2,  
Group IIC; Class II, Zone 22

 **IMPORTANT:** DO NOT ATTEMPT INSTALLATION UNTIL YOU ARE FAMILIAR WITH ALL WARNINGS, PRECAUTIONS, AND PROCEDURES OUTLINED WITHIN THIS INSTRUCTION SHEET.

 **—WARNING—**   
TURN OFF POWER

ELECTRICAL POWER MUST BE TURNED OFF BEFORE AND DURING INSTALLATION AND MAINTENANCE.


### INSTALLATION PRECAUTIONS:

All national and electrical/building codes must be followed in the installation of the luminaire. For code interpretation, consult local code authority.



### — RISKS OF FIRE OR EXPLOSION —

1. DO NOT INSTALL LUMINAIRE IN ANY CLASSIFIED LOCATION WHERE THE MARKED OPERATING TEMPERATURE EXCEEDS THE IGNITION TEMPERATURE OF THE HAZARDOUS ATMOSPHERES. CONSULT LUMINAIRE NAMEPLATE FOR SUITABILITY IN SPECIFIC HAZARDOUS LOCATIONS.
2. DO NOT INSTALL LUMINAIRE IN A LOCATION WHERE THE AMBIENT TEMPERATURE EXCEEDS THE MAXIMUM AMBIENT TEMPERATURE SHOWN ON THE LUMINAIRE NAMEPLATE.
3. REFER TO LUMINAIRE NAMEPLATE FOR MINIMUM SUPPLY WIRE TEMPERATURE RATING.
4. VERIFY THAT THE SUPPLY VOLTAGE AGREES WITH LUMINAIRE RATING AS INDICATED ON NAMEPLATE.
5. VERIFY THAT GROUND CONTINUITY HAS BEEN ESTABLISHED BY USING AN OHMMETER OR OTHER SUITABLE TESTING EQUIPMENT BEFORE ENERGIZING THE LUMINAIRE.

 **WARNING:** LUMINAIRE MUST BE GROUNDED AS REQUIRED PER PARAGRAPH 410.44 AND ARTICLE 250 OF THE NATIONAL ELECTRIC CODE AND/OR SECTION 10 AND RULE 30-500 OF CANADIAN ELECTRIC CODE. FAILURE TO PROPERLY GROUND THIS LUMINAIRE WILL CREATE AN ELECTRICAL SHOCK HAZARD WHICH CAN CAUSE SERIOUS INJURY OR DEATH.

LUMINAIRE MAY BE ENERGIZED IN A HAZARDOUS LOCATION ONLY AFTER THE LUMINAIRE HAS BEEN SECURED TO THE MOUNT AND THE LENS HAS BEEN ASSEMBLED AND TIGHTENED TO THE HOUSING AS OUTLINED IN THIS INSTRUCTION SHEET.

#### Warranty:

Hazlux sells this product with the understanding that the user will perform all necessary tests to determine the suitability of this product for the user's intended application. Subject to the limitations set forth below, Hazlux warrants that the Hazlux LED luminaire will be free from defects in material and workmanship for a period of **five (5) years** beginning on the date of installation or 90 days from the date of shipment, whichever date is earlier.

#### Warranty Limitations and Exclusions:

The above warranty shall only apply when the product is installed in applications in which ambient temperatures are within the range of specified operating temperatures and is operated within the electrical values shown on the LED driver label. This warranty is also void if the product has been subjected to misuse, neglect, accident, fire, physical damage, improper installation, unauthorized modification, or use in violation of our instructions or any applicable laws, codes or ordinances. Upon prompt notification of a warranted defect, Hazlux will, at its option, repair or replace any products found to be defective under normal installation, use and service. Hazlux reserves the right to replace any warranted product with a substitute product of similar function if the warranted product is no longer available.

**THE ABOVE WARRANTY IS THE SOLE WARRANTY CONCERNING THIS PRODUCT, AND IS IN LIEU OF ALL OTHER WARRANTIES EXPRESS OR IMPLIED, INCLUDING BUT NOT LIMITED TO ANY IMPLIED WARRANTY OF MERCHANTABILITY OR FITNESS FOR A PARTICULAR PURPOSE, WHICH ARE SPECIFICALLY DISCLAIMED. LIABILITY FOR BREACH OF THE ABOVE WARRANTY IS LIMITED TO COST OF REPAIR OR REPLACEMENT OF THE PRODUCT, AND UNDER NO CIRCUMSTANCES WILL HAZLUX BE LIABLE FOR ANY INDIRECT, SPECIAL, INCIDENTAL OR CONSEQUENTIAL DAMAGES.**

## METRIC TOOLING REQUIRED FOR INSTALLATION OF THIS LUMINAIRE AND ALL MOUNTING CONFIGURATIONS

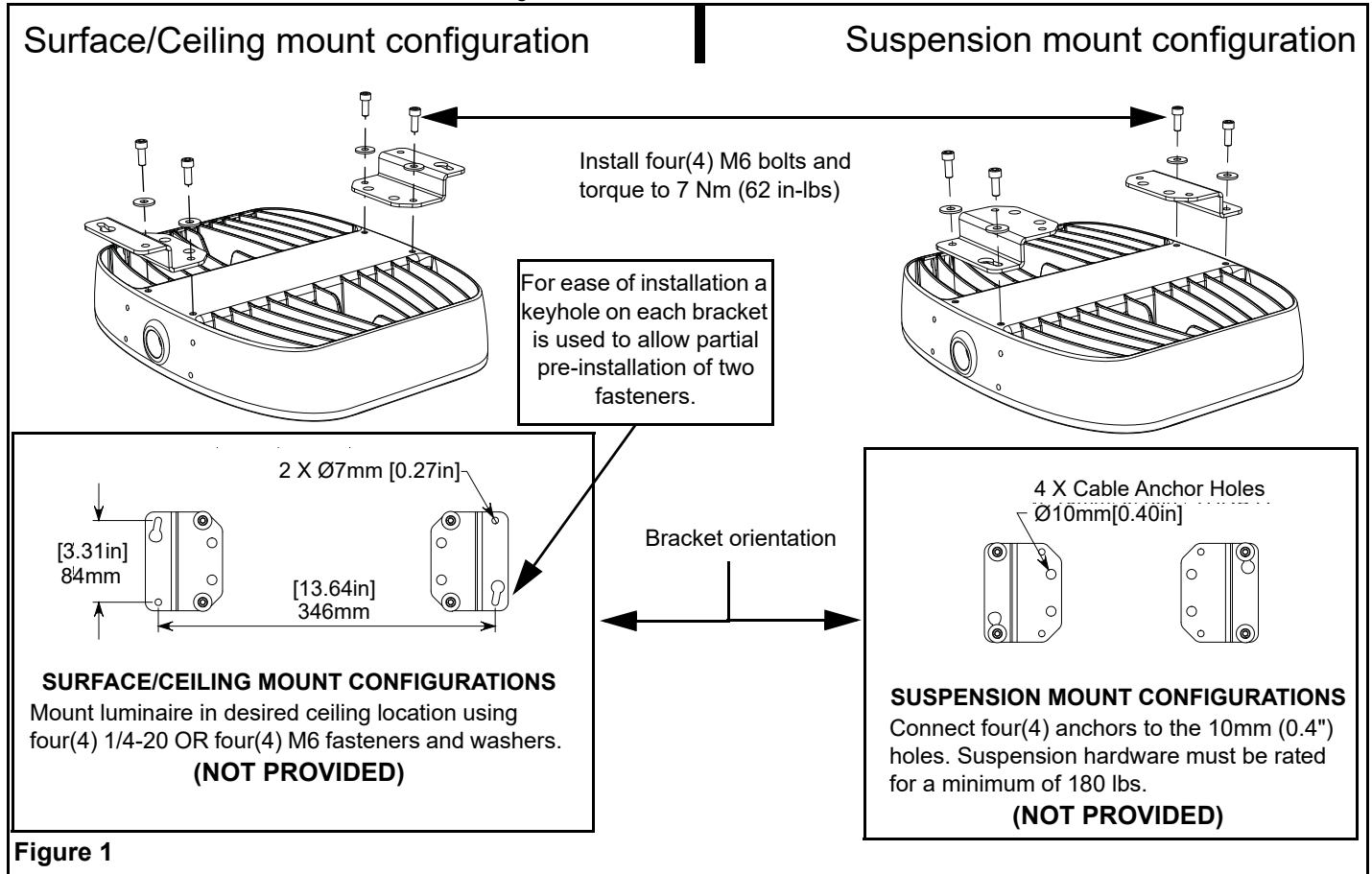
### INSTALLATION INSTRUCTIONS

For other mounting types (Wall, Pole or Yoke Mount), refer to instruction sheets provided in the carton containing the mount.

### SURFACE/CEILING AND SUSPENDED MOUNT INSTALLATION

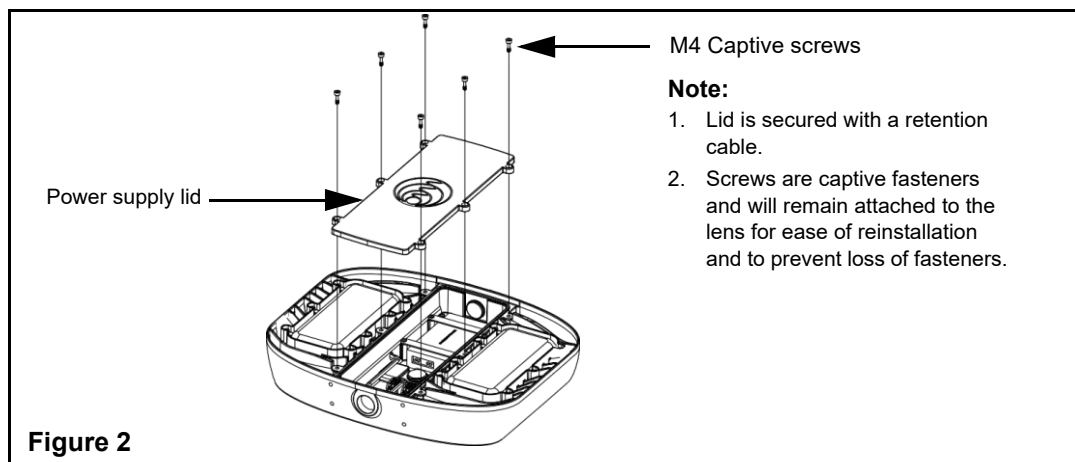
#### STEP 1: (Figure 1)

Install the Mount Brackets to the luminaire. See diagram for orientation of brackets.



#### STEP 2: (Figure 2)

To begin wiring, open Power Supply Lid by loosening the six(6) M4 captive screws with M3 hex driver and allow the lens to hang via retention cable.



## STEP 3: (Figure 3)

Supply connection to be made through one of the 3(three) 3/4-14 NPT entries on the luminaire. If using Surface, Suspension or Yoke configuration, install appropriate Listed 3/4" NPT cable gland for cable size to desired entry location and be sure to follow all applicable local electrical codes for the specific hazardous locations. Torque cable gland base to manufacturer's recommended specification. All unused entries must be plugged with a NPT plug (two provided). OR Install Direct Rigid Conduit as per local electrical code. For direct rigid conduit installation, torque hand tight plus 2 to 3 turns.

### Note:

To aid in assembly and protection against ingress use of a petrolatum or soap thickened mineral oil based thread lubricant/sealant is necessary.

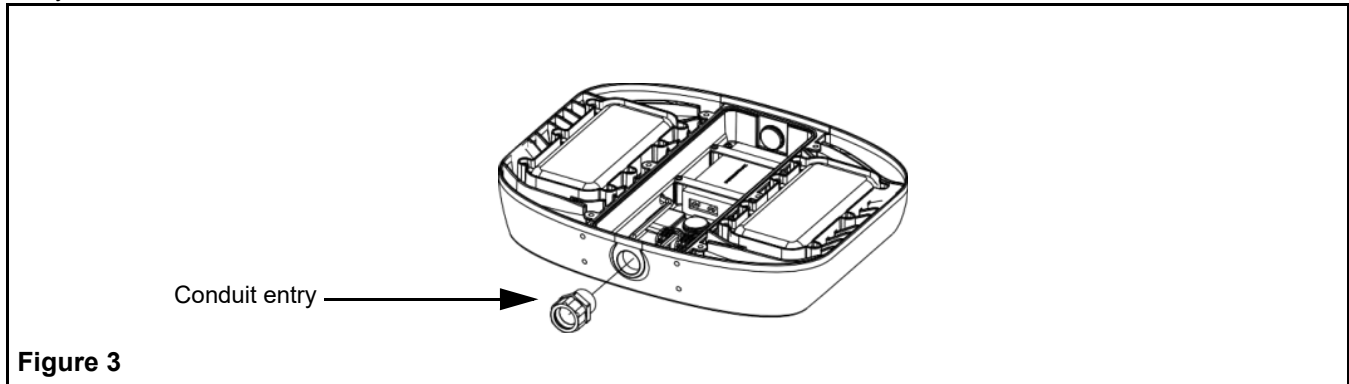


Figure 3

## STEP 4:

Feed wire into Power Supply cavity and strip 100mm (4") of cable casing and strip conductors 8mm (0.32").

### Note:

If using cable, terminate the supply end in a suitable Listed metal junction box using a suitable Listed fitting approved for installation location as required.

All field wiring supply conductors shall be rated 90°C minimum and rated for supply voltage (300V AC Models, 600V HV models).

## STEP 5: (Figure 4)

Make wiring connections from branch circuit conductors to factory provided lead wires. Refer to CEC/NEC codes and follow all applicable local standards. All unused wires must be capped separately with properly rated Listed wire nuts.

For Class 1 Wiring only:

Dimming control wires must be rated 600V minimum.

The SMR has multiple approved drivers and wiring colors may vary depending on the model installed, refer to these instructions or label on driver when making connections.

### DIMMING:

For dimming, connect 18AWG or larger conductors to dimming connection points.

Dimming may be accomplished by connecting the Violet (Purple)(+) and Grey (-) lead wires to a certified 0-10 Vdc dimming controller or potentiometer/rheostat suitable for the classification of the area of installation. Dimming controller or potentiometer must be installed outside the luminaire.

Driver Styles 1 & 2 are sourcing style 0-10V connections, capable of sourcing 0.165mA. If utilizing a potentiometer or rheostat connect dim + to the wiper and dim - to one of the outer poles.

Driver Style 3 is capable of both sourcing & sinking style 0-10V connections. Operation with sinking controllers is achieved by connecting the Yellow +10V in parallel with Dim+ the driver will source up to 6mA. For sourcing controllers cap the Yellow +10V wire.

If utilizing a potentiometer connect the 10V+ wire to one outer pole, connect dim + to the wiper & dim - to the other outer potentiometer pole.

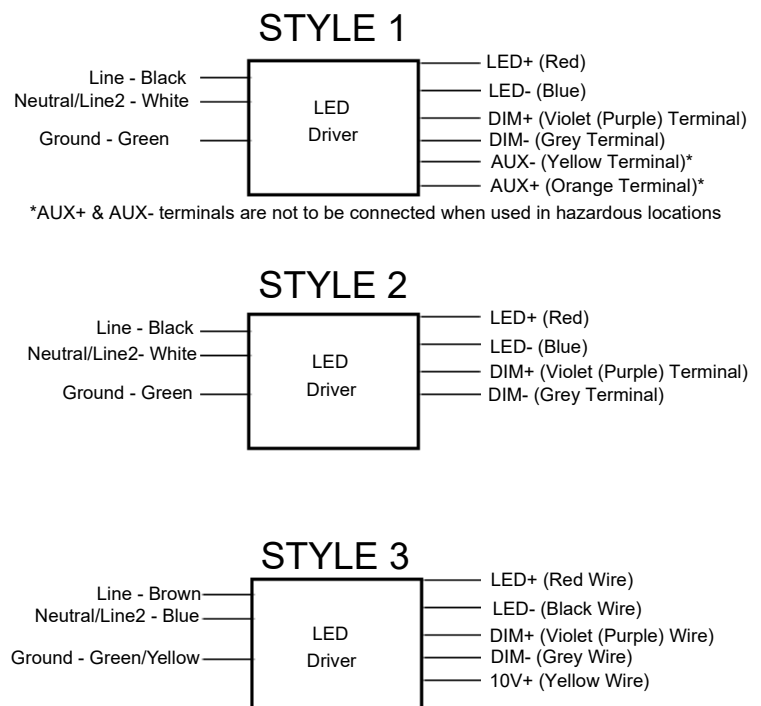


Figure 4

## STEP 6: (Figure 5)

1. Re-install power supply lid using six(6) Captive M4 screws.
2. Tighten M4 Captive screws to 2 Nm (17in-lbs) .

