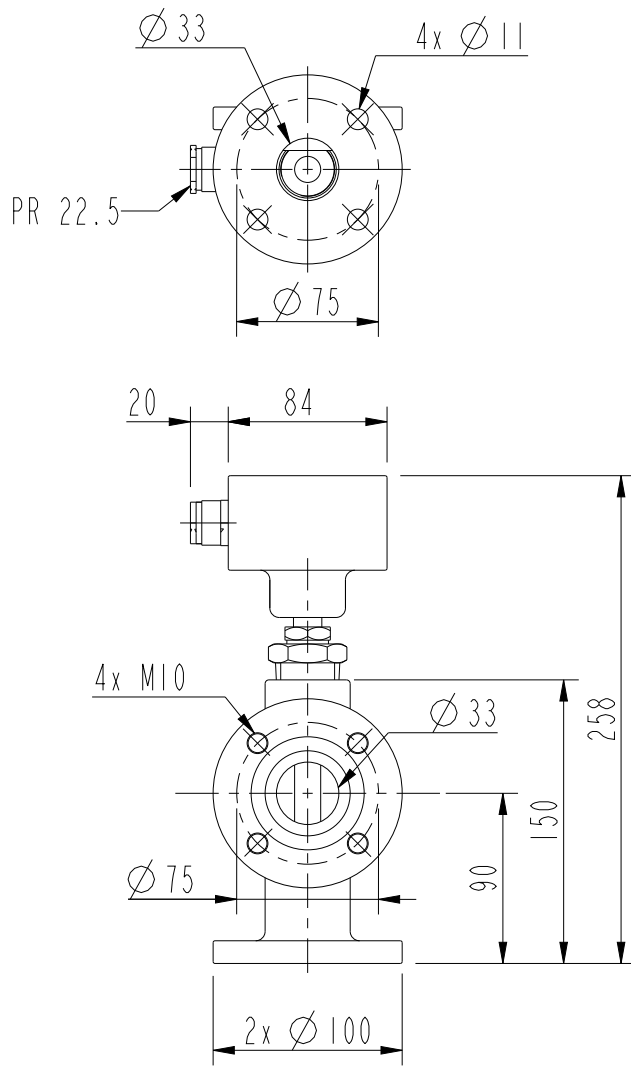
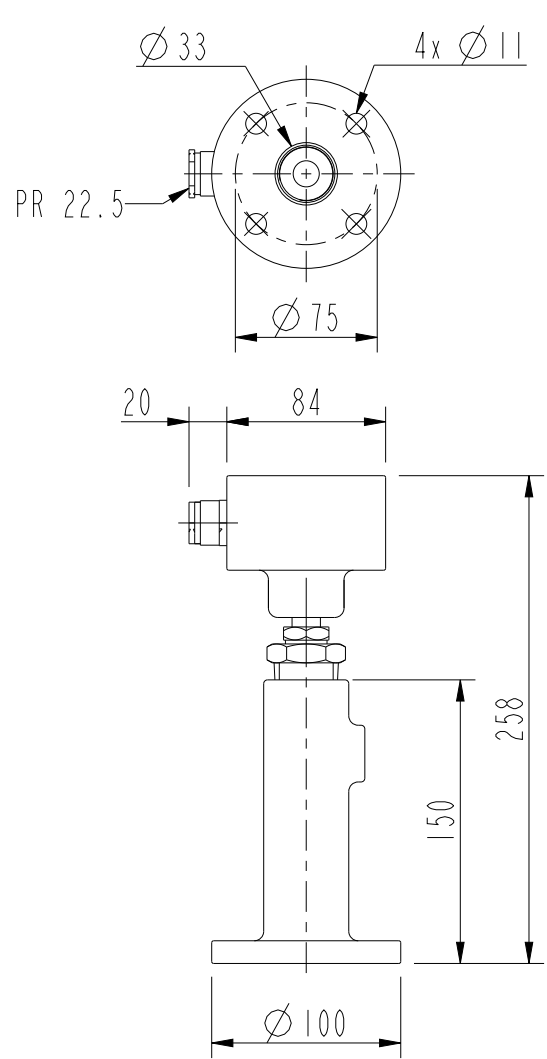


This document is issued by means of a computerized system. The digitally stored original is electronically approved. The approved document has a date entered in the "Approved"-field. A manual signature is not required.



USED WITH
ANVÄNDAS MED : VUBB / UC (UZ)



USED WITH
ANVÄNDAS MED : UZ (UC)

We reserve all rights in this document and in the information contained therein. Reproduction, use or disclosure to third parties without express authority is strictly forbidden.

Approved 2015-06-02	Document Kind Outline Drawing	Based on doc.id	Work order id	Project id
Company ABB Technology Ltd	Title, Supplementary title Temperature Sensor Temperaturgivare			
Responsible Department SEABB-9AAE300824				
ABB	Document id IZSC005333-AAF	Status Released	Revision A	Iteration Iteration
			Sheet 1/1	