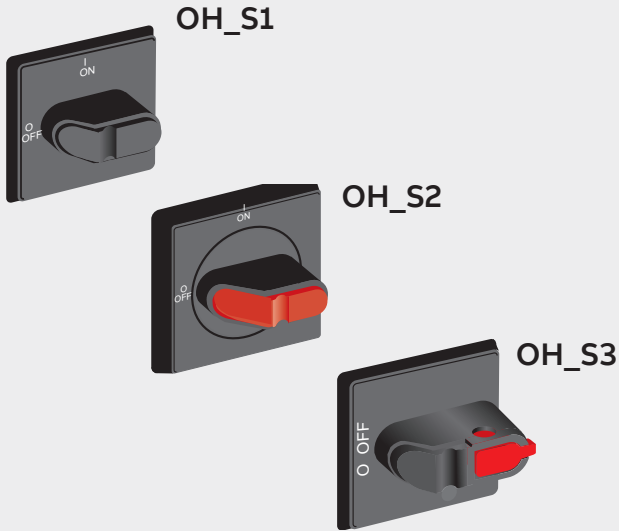


INSTALLATION INSTRUCTION

Handles

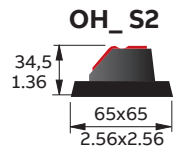
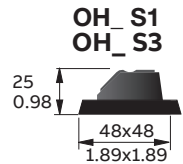
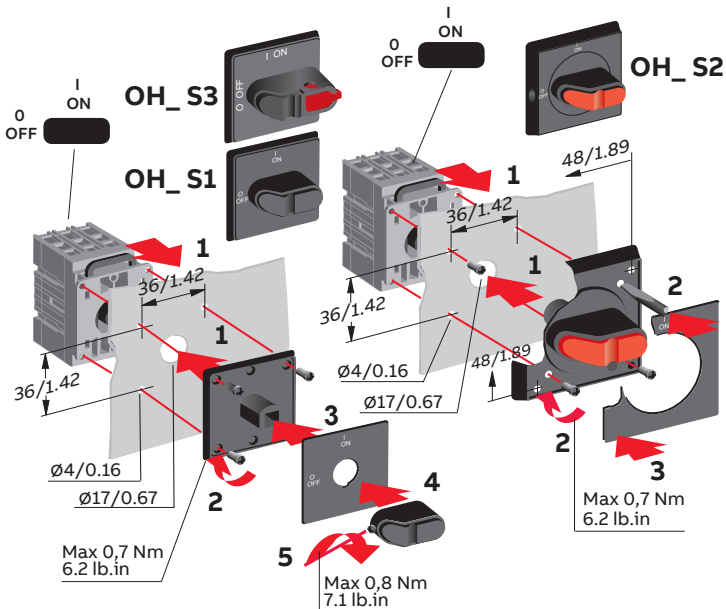
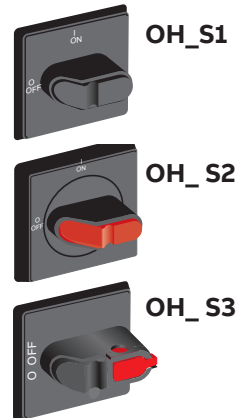
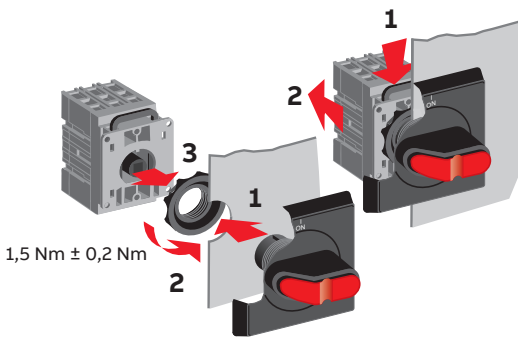
OH_S_



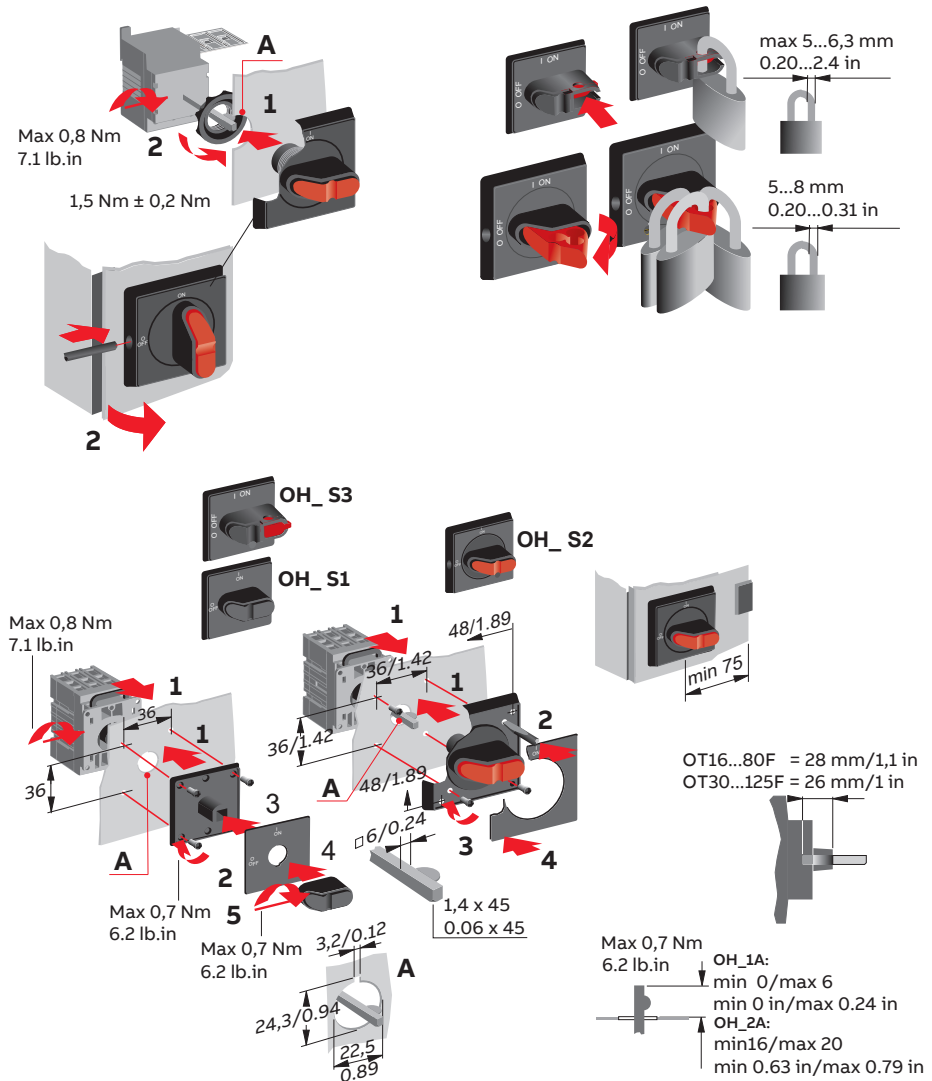
Label should be affixed to the rear mounting surface immediately adjacent the handle after installation.

OH_1: Type 1
OH_2: Type 1, 3R, 12

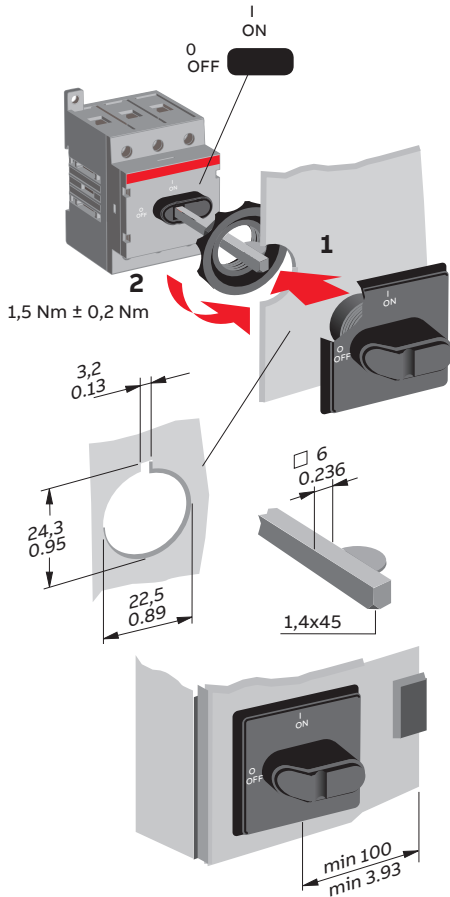
OH_S1P, OH_S2P, OH_S3P



OH_S1R, OH_S2R, OH_S3R



OH_S1A, OH_S3A



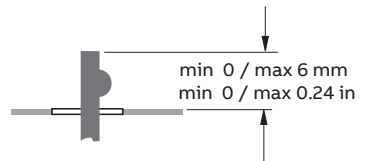
max 5...6,3 mm
0.20...2.4 in



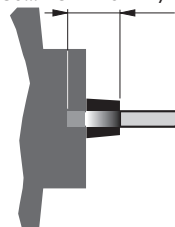
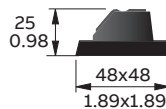
OH_S1AH1



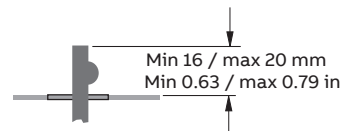
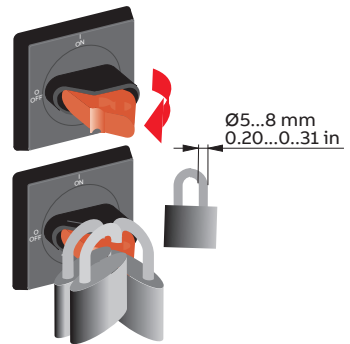
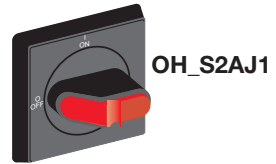
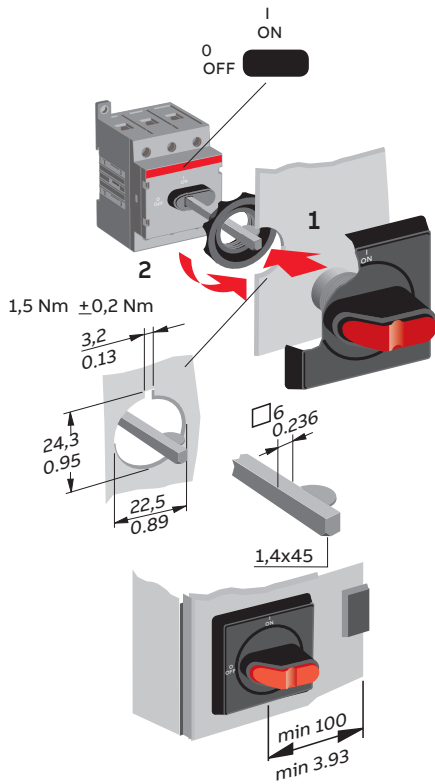
OH_S3AH1



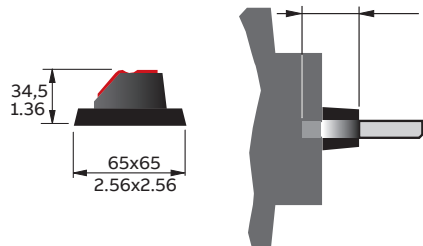
OT16...80F = 28 mm/1,1 in
OT30...125F = 26 mm/1 in



OH_S2A



OT16...80F = 28 mm/1,1 in
OT30...125F = 26 mm/1 in





Contact us

ABB Oy

P.O. Box 622
FI-65101 Vaasa
Finland

abb.com/lowvoltage