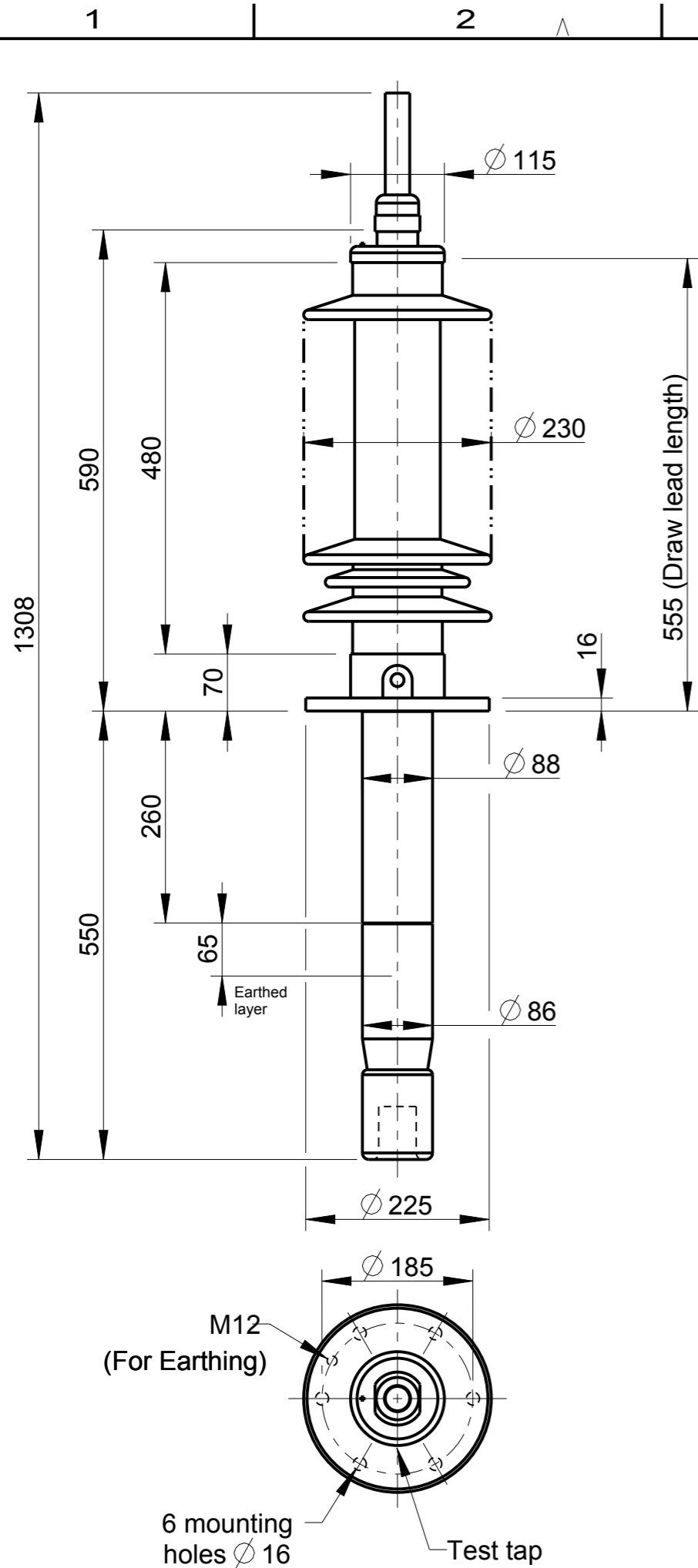
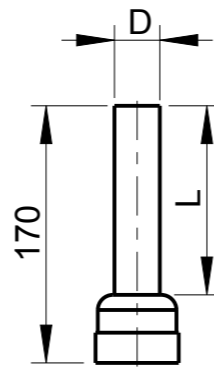


This document is issued by means of a computerized system. The digitally stored original is electronically approved. The approved document has a date entered in the 'Approved'-field. A manual signature is not required.

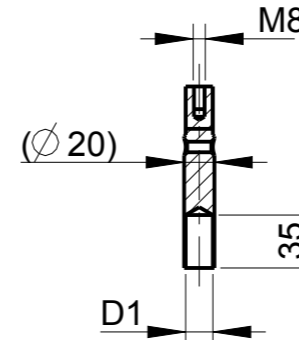
The information contained in this document has to be kept strictly confidential. Any unauthorized use, reproduction, distribution or disclosure to third parties are strictly forbidden. ABB reserves all rights regarding Intellectual Property Rights. © Copyright 2013 ABB. All rights reserved.



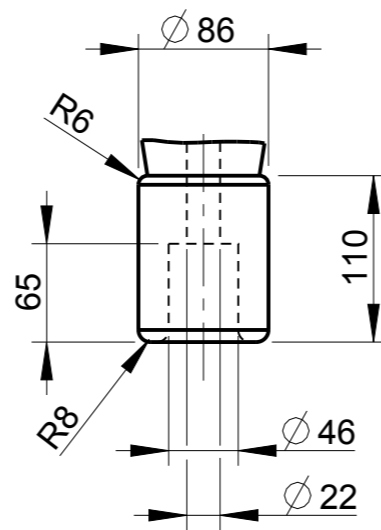
**OUTER TERMINAL**



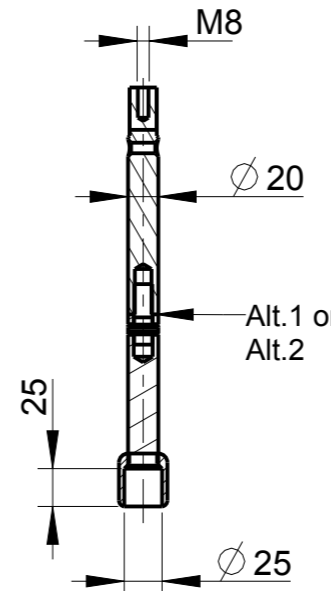
**INNER TERMINAL FOR STRANDED CABLE**



**END SHIELD**



**SOLID ROD CONNECTOR**



The solid rod can be divided either:  
Alt.1: 20mm below the bushing flange or  
Alt.2: 20mm below the upper end of the bottom porcelain

**Bushing Data:**

Rated Voltage	52	kV
Phase to Ground Voltage	52	kV
Dry Lightning Impulse 1,2/50µs	250	kV
Wet power frequency AC	105	kV
Routine test 1min dry 50Hz	120	kV
Rated Current	800	A
Creepage Distance	1690±50	mm
Creepage Distance Protected	650	mm
Mass	25	kg

**Ordering Data:**

BUSHING	COLOUR AIR INSULATOR
LF123015-M	BROWN
-N	LIGHT GREY
OUTER TERMINAL	Material D L
LF 170 002-A	Cu alloy, Ø 30, 125
LF 170 001-A	Al, Ø 30, 125
OTHER TYPES ON REQUEST	
INNER TERMINAL FOR STRANDED CABLE	
For brazing	Conductor area D1
LF 170 011-S	up to 150mm <sup>2</sup> Ø 18
LF 170 011-U	Undrilled with pilot hole Ø 5
For crimping or brazing	Conductor area D1
LF 170 010-M	50mm <sup>2</sup> Ø 11
LF 170 010-N	70mm <sup>2</sup> Ø 13
LF 170 010-L	95mm <sup>2</sup> Ø 15
SOLID ROD CONNECTOR	Material
LF 170 019 -D for Alt.1	Cu
LF 170 019 -B for Alt.2	Cu

**Note:**

Mounting inclination 0-45°.

▲ For inclined and horizontal mounting, see Installation and Maintenance Guide.

<b>ABB</b>		Ludvika, Sweden	
No.	Um/Ur	kV Ir	A 50/60 Hz
BL	kV SL	kV AC	kV
M	kg L	mm	°
C1	pF	Tan δ	z
C2	pF	Tan δ	z

Prepared	iladmin	2008-04-30	Responsible department	PPCO/BK	Title	GOB 250-800-0.3
Modified by	Palpandi K	2013-04-26	Take over department			
Approved by	Niklas Olsson	2013-05-07	Used in product			
Revision	B	Note added			WITHOUT OIL LEVEL GAUGE LONG END SHIELD	82
					Order	1
					Document no.	2751369-112
						No. Shfts. (1)

