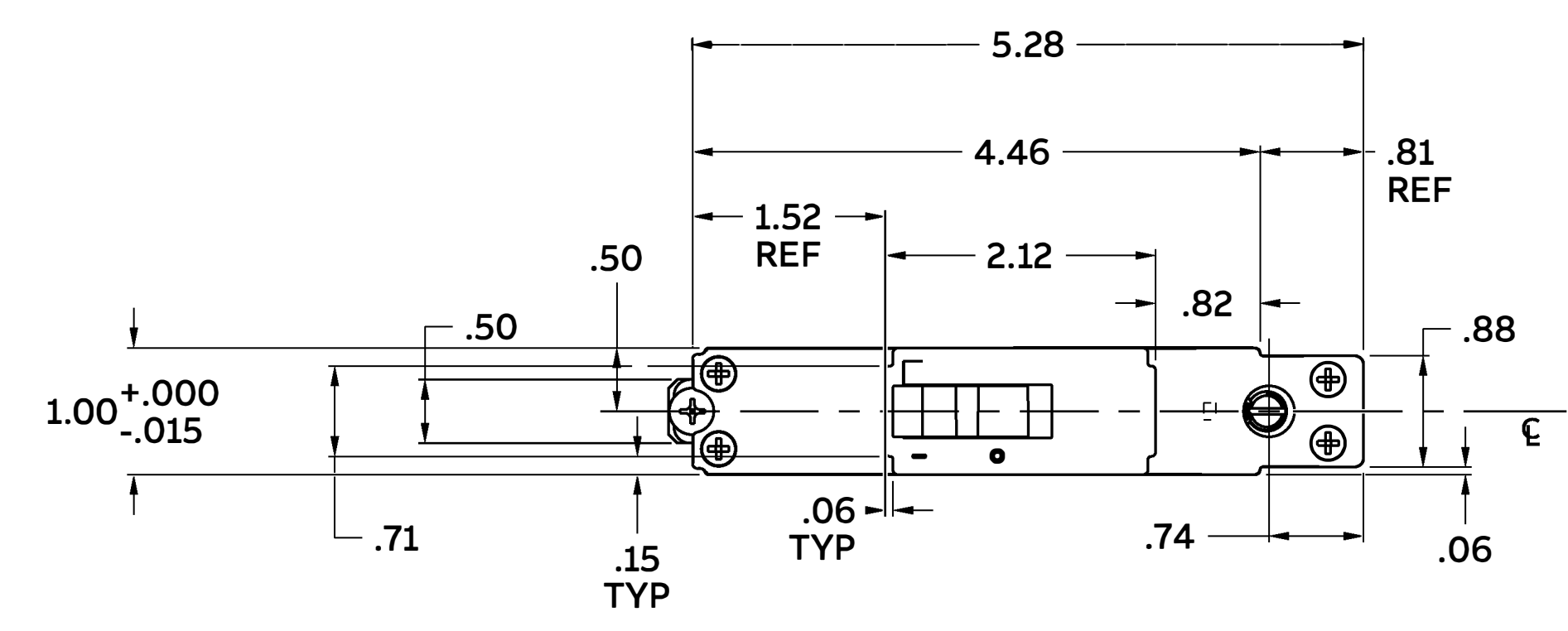
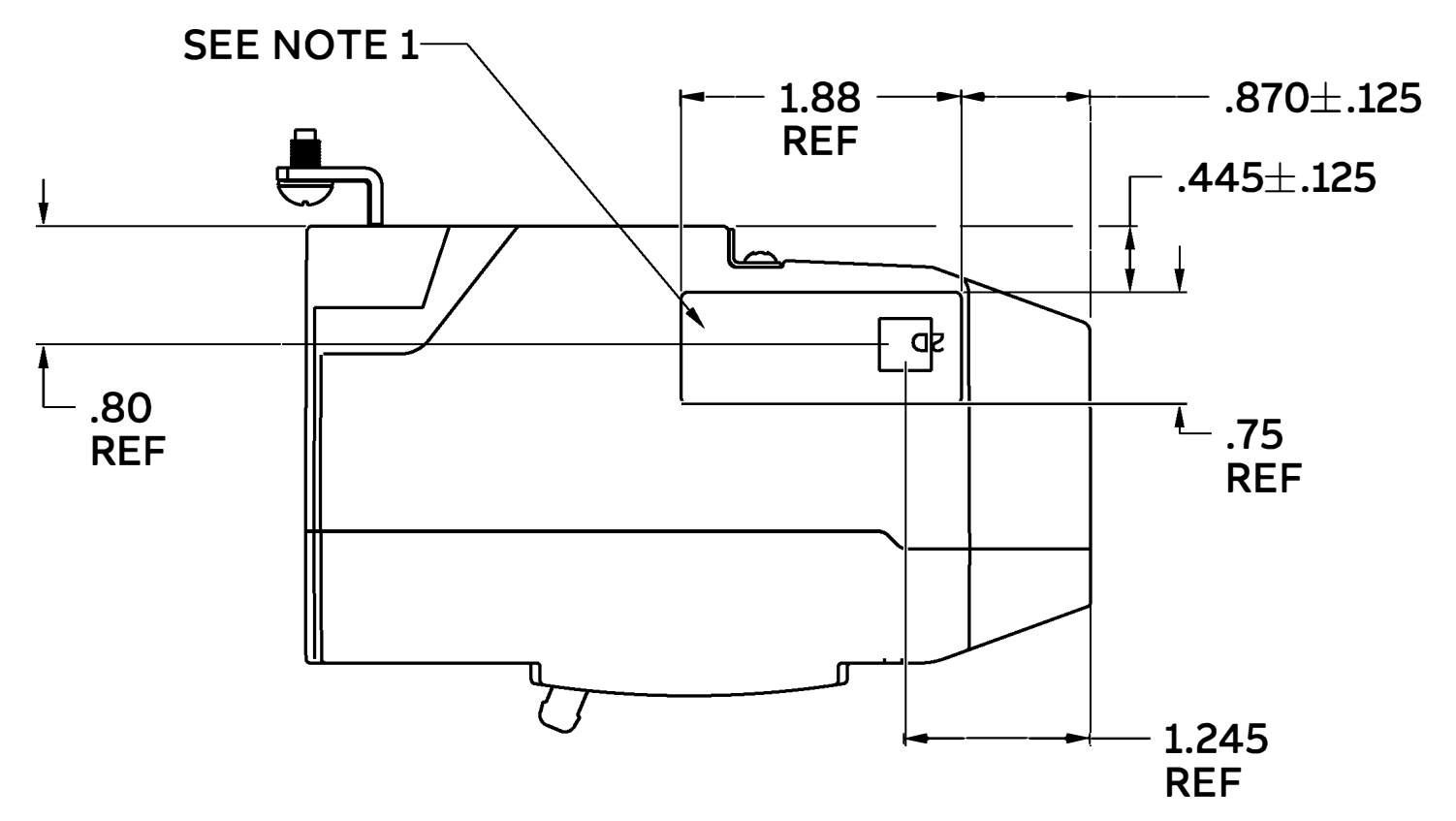
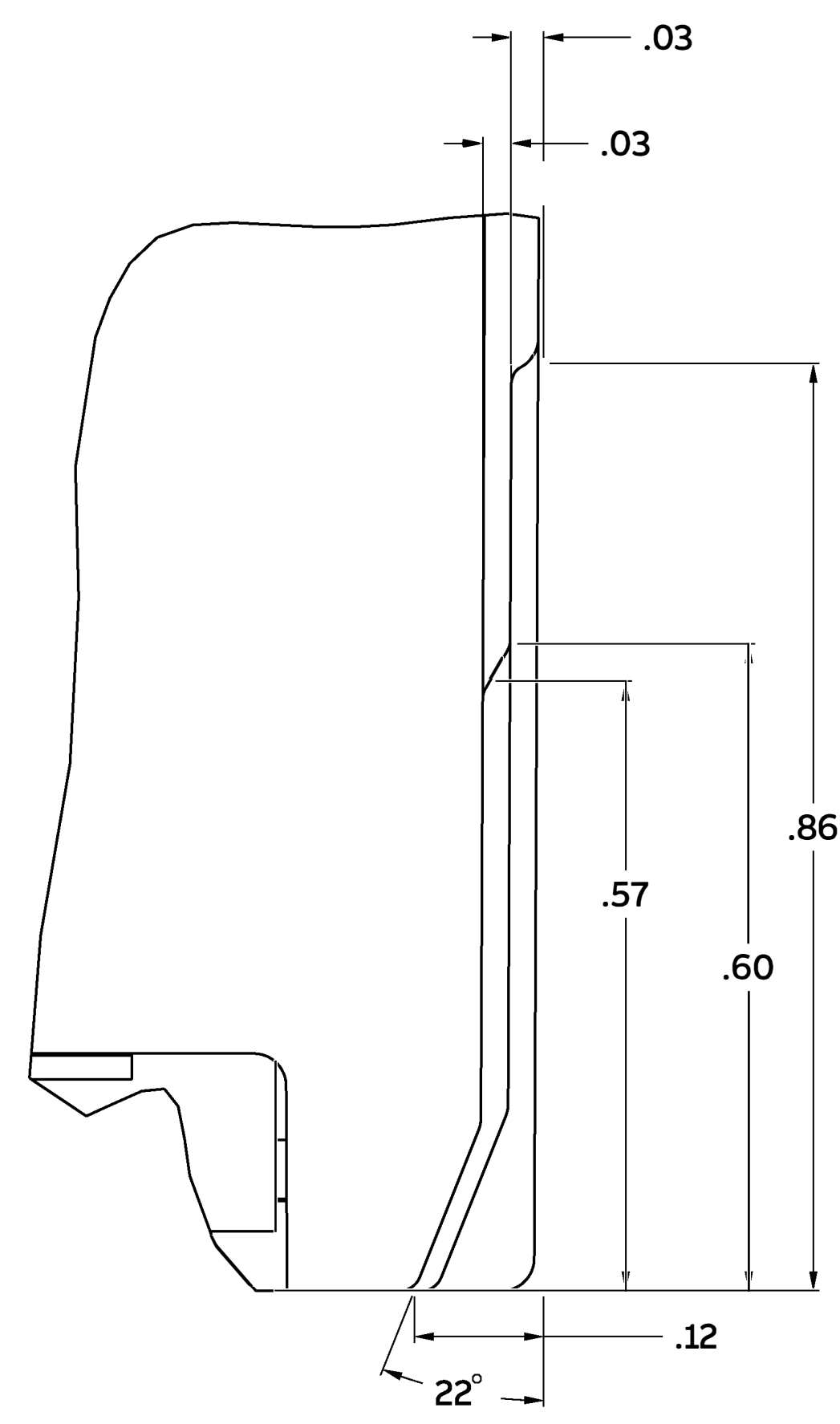


18 17 16 15 14 13 12 11

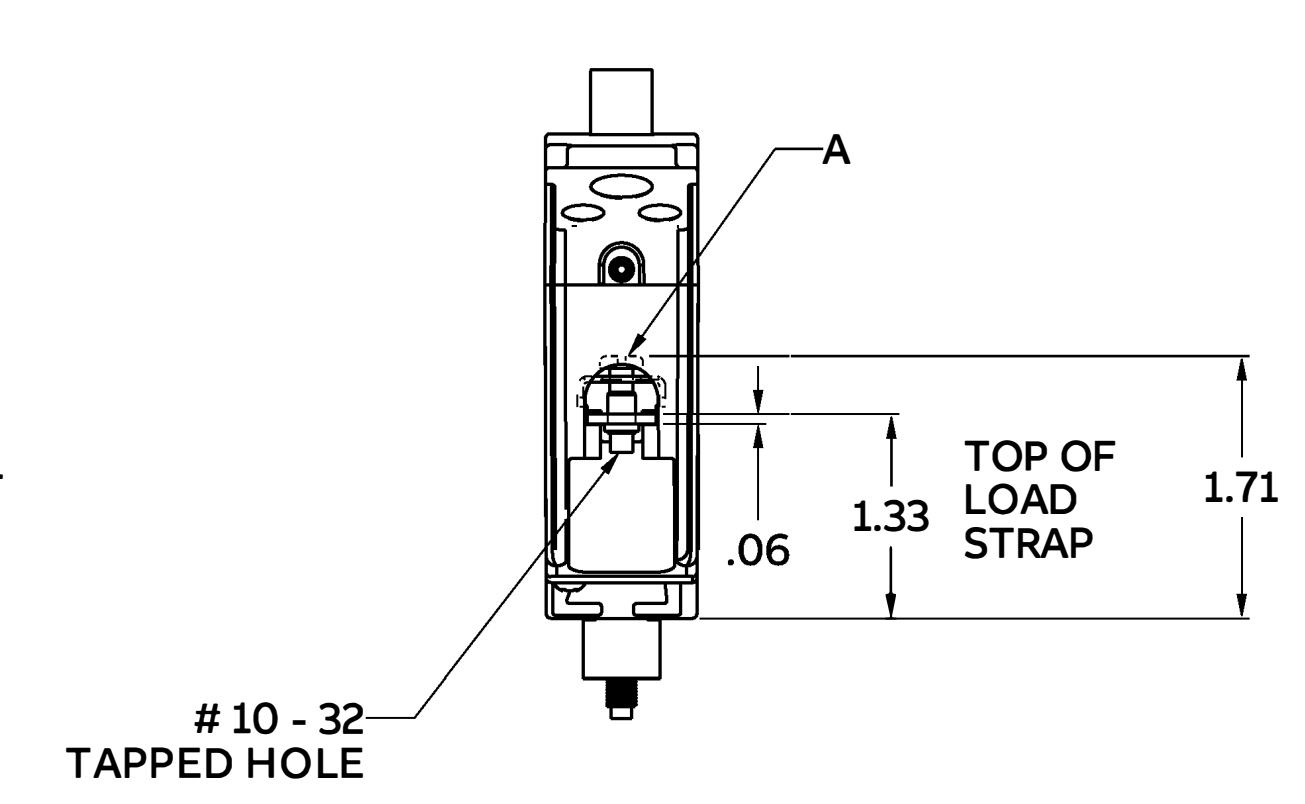
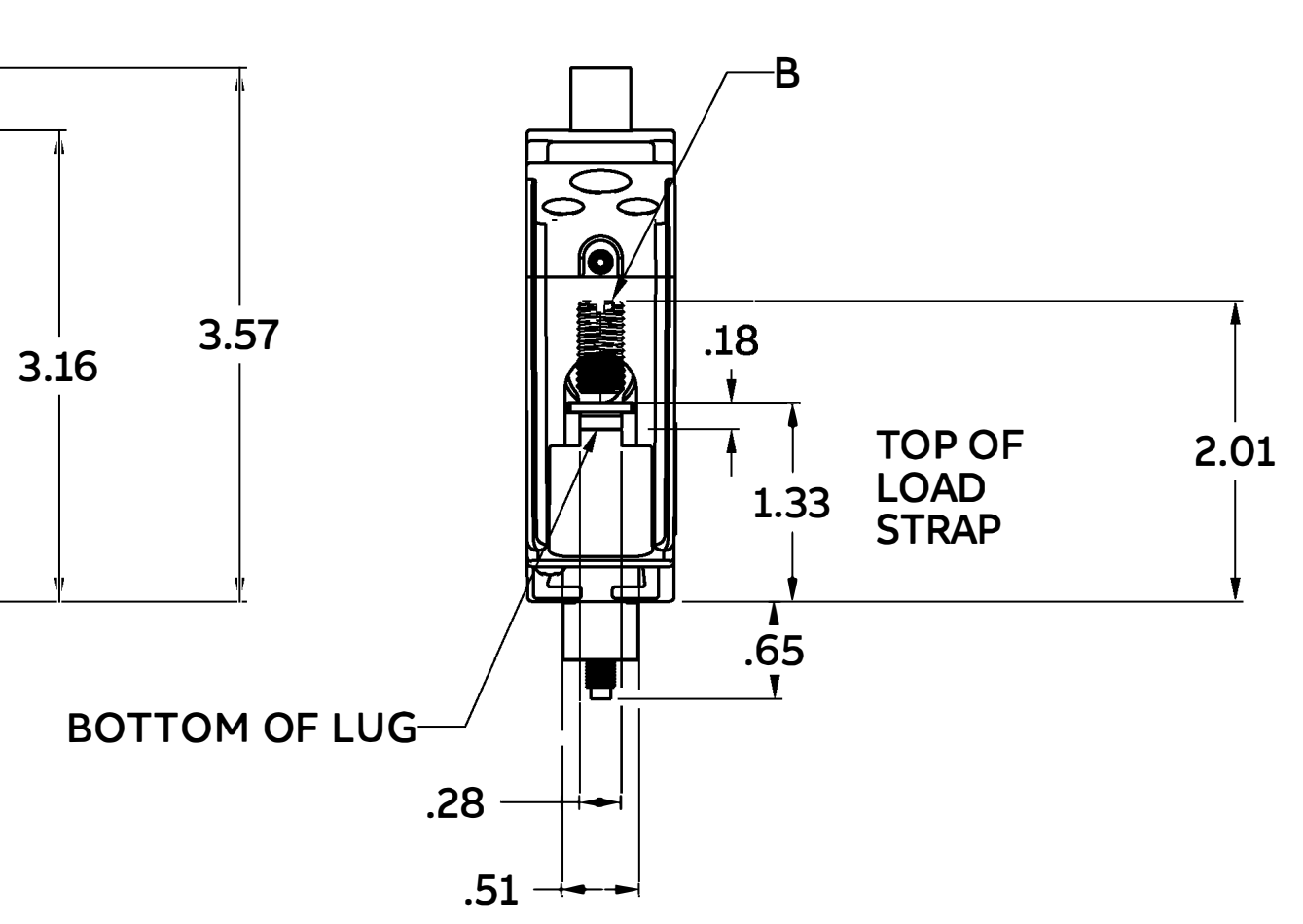
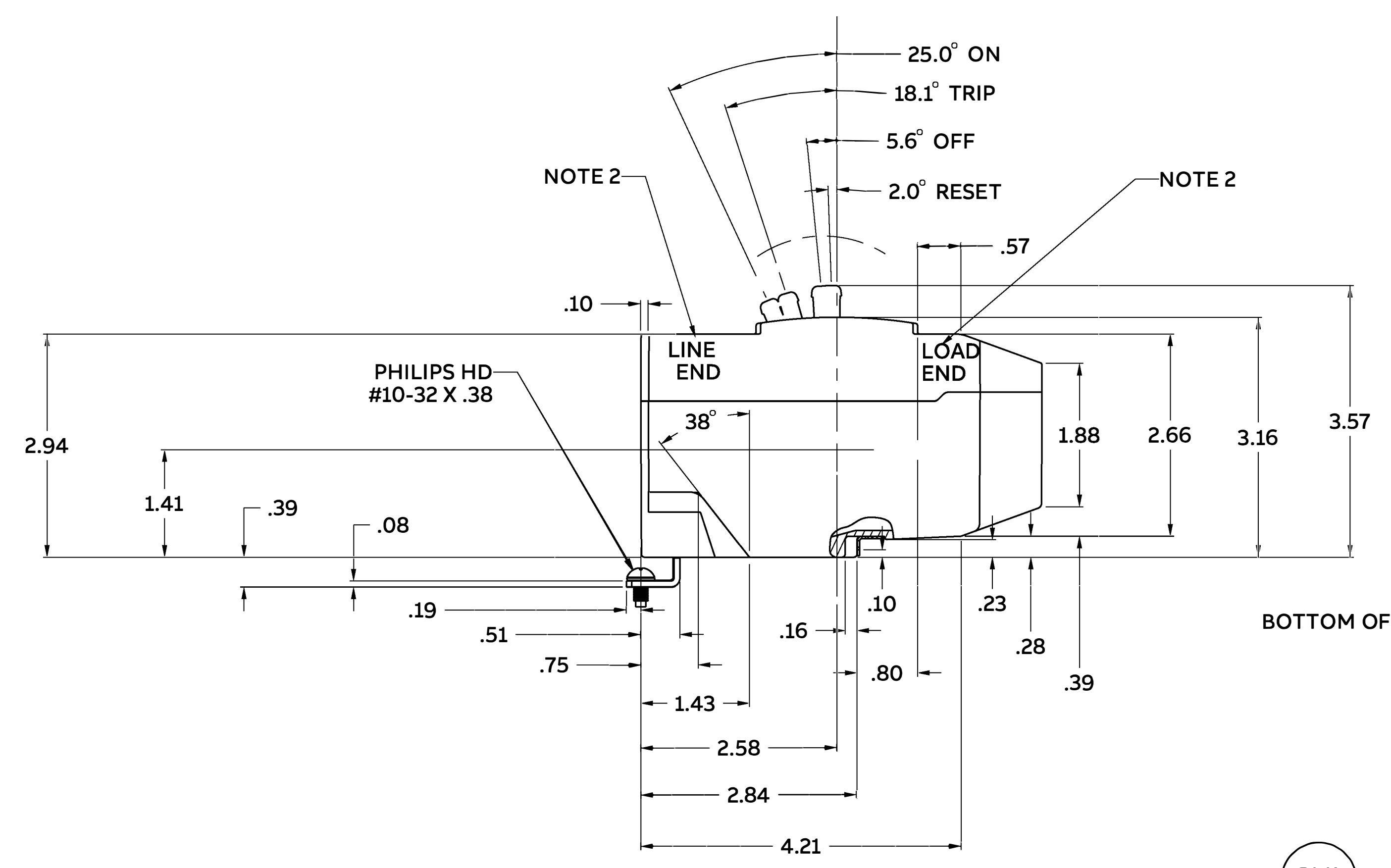
NOMINAL HANDLE OPERATING FORCES (LBS)	
ON TO OFF	6.5
TRIP TO RESET	7.5
OFF TO ON	2.2



WIRE CONNECTOR	USED ON	WIRE RANGE		LOAD END LUG TORQUE TO WIRE	LINE END MOUNTING SCREW TORQUE
		CU	AL		
A (SADDLE CLAMP)	15A - 20A	#12 - #14	#10 - #12	#10, 12, 14 - 35LB - IN	25 - 32LB - IN
B (LUG)	30A - 60A	#10 - #6	#8 - #4	#10 - 35LB - IN #8 - 40LB - IN #6, #4 - 45LB - IN	
	70A	#4 - #1	#2 - 1/0	#4 - 1/0 - 45LB - IN	

NOTE :

- FOR LABEL DETAILS REFER PART # 10107781P1
- STEY BREAKER IS SUITABLE FOR REVERSE FEEDING, NO LINE AND LOAD MARKING.



SH1

ABB
OUTLINE DRAWING - CIRCUIT BREAKER
STEY 1 - POLE

THIRD ANGLE	SHEET#	DWG NO.	DATE	REV
	1 of 1	10106028SH1	05-Feb-23	B

18 17 16 15 14 13 12 11