



## ***7700-Line Motor Control Center***

### Renewal Parts Bulletin







# 7700-Line Motor Control Center

## Introduction

The 7700-Line motor control center, a quality product of the General Electric Company, has been designed and manufactured to give long and satisfactory service. This Renewal Parts Bulletin contains items which, through normal use, may require periodic maintenance and replacement. Other items may never need service or replacement during the useful life of the equipment.

We feel that you are in the best position to determine your investment in Renewal Parts, taking into consideration the total amount of 7700-Line motor control centers at your facility, your proximity to General Electric franchised distributors, and the importance of minimizing equipment downtime.

For identifying and ordering replacement parts not included in this publication, refer to the “Spares Recommendation” and “Parts List” section of the renewal parts quotation for your motor control center. If this is not available, identify the equipment as follows before contacting your local distributor or General Electric sales office:

1. Equipment-GE 7700-Line motor control center
2. Complete vertical section nameplate information (for structural and bus parts)
3. Complete plug-in unit nameplate information (for individual unit parts)

Introduction .....	3
Ordering Instruction .....	4
Structural Parts .....	5-9
Vertical & Main Bus Parts .....	10-13
Unit Parts .....	14-21
Rotary-Style Handle .....	15
Fusible Disconnect Switch .....	16-18
Control Power Transformer .....	18
Control Terminal Board .....	19
Overload Reset Assembly .....	19
Door Ring .....	19
Pilot Device (Type CR2940) .....	20
Service Designation Nameplate .....	20
Unit Nameplate (Blank) .....	20
Power Terminal Board .....	20
Harnesses .....	20
Torque Table .....	22





## 7700-Line Motor Control Center Ordering Instructions

The ordering of renewal parts or complete unit replacements will be simplified by referencing the data provided on the 7700-Line motor control center section nameplate and, if required, unit nameplate.

GENERAL ELECTRIC	
7700 LINE CONTROL CENTER	
CAT. NO.	<input type="text"/>
DIAGRAM NO.	<input type="text"/>
AMPS SUPPLY	<input type="text"/> SECT. <input type="text"/> SECT. <input type="text"/>
<input type="text"/> VOLTS	<input type="text"/> PHASE <input type="text"/> WIRE <input type="text"/> HZ

Section Nameplate (located on the front of each UL listed section, near the upper right-hand corner)

GENERAL ELECTRIC	
MOTOR CONTROL CENTER	
MODEL	VOLTS
TYPE	CONT. VOLTS
UNIT NO.	HZ
DIAGRAM	SIZE
AMPS/HP	GEH-
<small>WHEN ORDERING PARTS OR REPLACEMENT UNIT, SUPPLY THE ABOVE DATA</small>	<small>BEFORE INSTALLING OR OPERATING READ ABOVE GEH INSTRUCTIONS 22189151P1</small>
MEBANE, NC	MADE IN U.S.A.

Unit Nameplate (plug-in unites-located on the right-hand vertical side barrier; Bolt-in units located in close proximity to the branch circuit overcurrent protective device)

CAT. NO.*	The General Electric, Mebane, N.C., factory catalog number
DIAGRAM NO.*	The outline summary sheet (often referred to as “record drawings”) for this section
AMPS-SUPPLY	The main (i.e. horizontal) bus rating
AMPS-SECTION	The vertical bus rating

When ordering replacement parts not identified in this bulletin, both the “CAT. NO.” and “DIAGRAM NO.” must be referenced, accompanied by a complete description of the replacement part(s) desired.

MODEL	Type of motor control center design
VOLTS TYPE	Unit power supply voltage. Unit function (as listed on outline-l summary sheet)
CONT. VOLTS	Unit control voltage.
UNIT NO.*	The factory catalog number; this identifies the section and unit location within that section
DIAGRAM	The outline summary sheet and page number which contains the wiring elementary diagram for this unit
SIZE AMPS/HP	The NEMA size rating of the starter. The ampere rating of the circuit breaker or fusible switch (for feeder unit), or horsepower rating (for combination starter units)

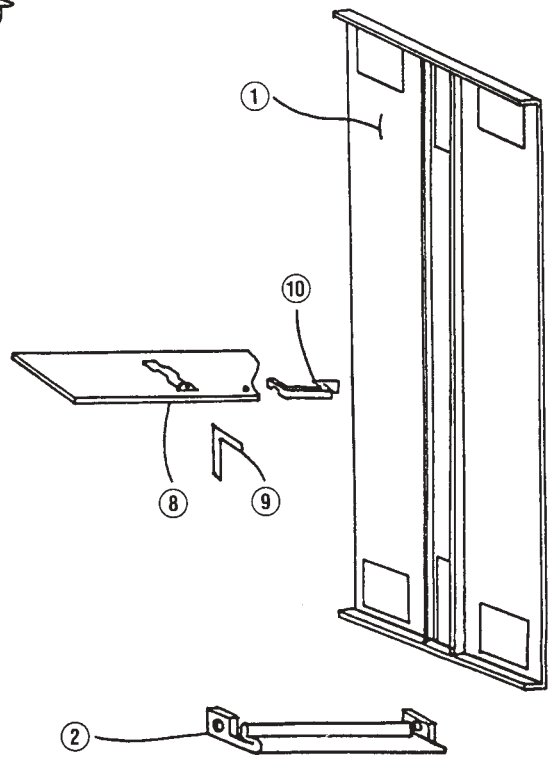
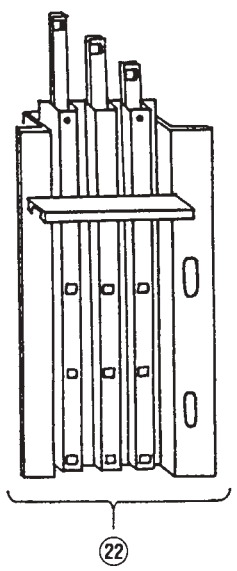
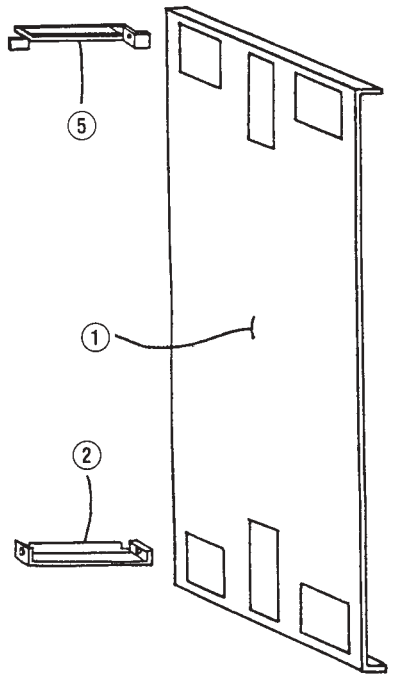
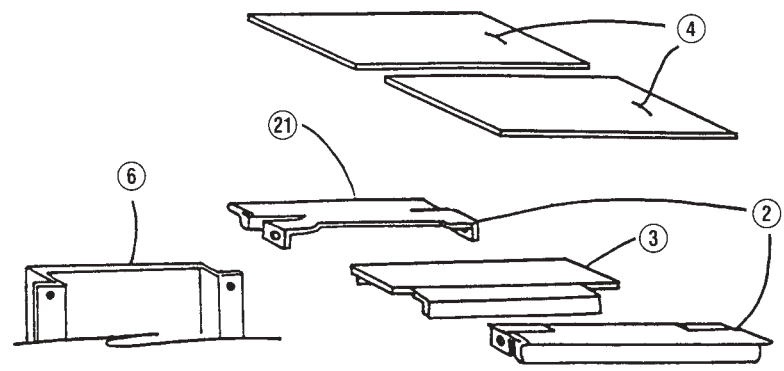
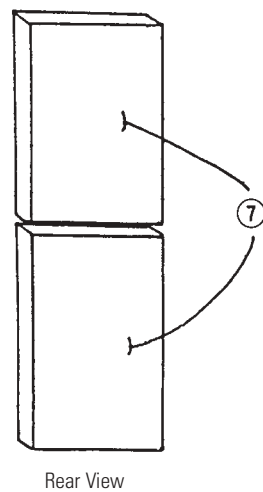
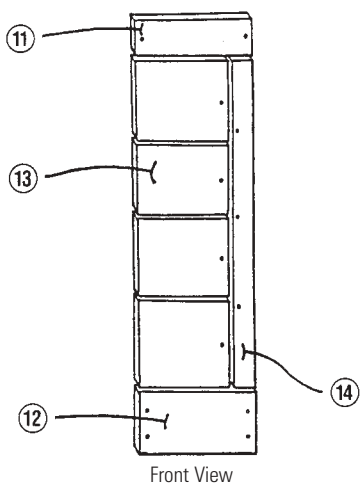
When ordering a complete replacement unit or replacement parts not identified in this bulletin, the “MODEL”, “UNIT NO.”, and “DIAGRAM” must be referenced, accompanied by a complete description of the replacement part(s) desired.

**\* This information must be included on the order form.**





# 7700-Line Motor Control Center Structural Parts

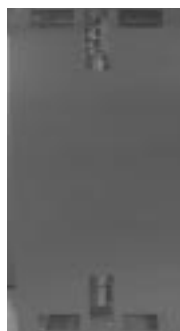


Exploded View





## 7700-Line Motor Control Center Structural Parts



Item 1



Item 2



Item 5



Item 7



Item 3



Item 6



Item 4

Item	Description	When Used	Cat. No.
1	Side Assembly	13-inch deep section (LH)	68J210377BB1390XXB
		20-inch deep section	68J210377AB2090XXB
2	Case Sill	20-inch wide section	68J110304AB20XXXXB
		24-inch wide section	68J110304AB24XXXXB
3	Horizontal Channel	20-inch wide section	68J110305AB20XXXXB
		24-inch wide section	68J110305AB24XXXXB
4	Top Plate	20-inch wide section	68J110311AB2020XXB
		24-inch wide section	68J110311AB2024XXB
5	Rear Mullion	13-inches deep x 20-inches wide	68J110307AB20XXXXB
		13-inches deep x 20-inches wide	68J110307AB24XXXXB
		20-inches deep x 20-inches wide	68J110306AB20XXXXB
		20-inches deep x 24-inches wide	68J110306AB24XXXXB
6	Rear Main Bus Barrier	20-inches wide	117B5088AEG20
		24-inches wide (2-inch main bus only)	117B5088AEG24
7	Rear Cover	20-inches wide x 13-inches deep	68J120323LE0102AAB
		24-inches wide	68J120323XA0102AAB
	Rear Door Assembly	20-inches wide x 20-inches deep	68J210375DB2090XXB
		24-inches wide	68J210375DB2490XXB





## 7700-Line Motor Control Center Structural Parts



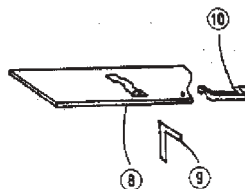
Item 8



Item 10



Item 9



Item 10a

Item	Description	When Used	Cat. No.
8	Shelf Assembly	Standard	68J210383BBXXXXXXY
		Top Shelf Only	68J210383ABXXXXXXY
9	Shelf Support Bracket	Standard	117B5044P1
		Bottom	117B5044P2
10	Shelf Extender	20-inch wide section	205A7680P20
		24-inch wide section	205A7680P24
11	Top & Bottom Horizontal Wireway Cover (Not Shown)	6-inches high x 20-inches wide	204B4127G19
		6-inches high x 24-inches wide	204B4127G22
		12-inches high x 20-inches wide	204B4127G20
		12-inches high x 24-inches wide	204B4127G23
		18-inches high x 20-inches wide	204B4127G21
		18-inches high x 24-inches wide	204B4127G24
		6-inches high x 20-inches wide	204B4127G19
		6-inches high x 24-inches wide	204B4127G22
		12-inches high x 20-inches wide	204B4127G20
		12-inches high x 24-inches wide	204B4127G23
		18-inches high x 20-inches wide	204B4127G21
		18-inches high x 24-inches wide	204B4127G24





## 7700-Line Motor Control Center Structural Parts

Item	Description	When Used	Cat. No.
12	Filler Kit Assembly (Not Shown)	6-inches high	273A7764G6
		12-inches high	273A7764G12
		18-inches high	273A7764G18
		24-inches high	273A7764G24
		30-inches high	273A7764G30
		36-inches high	273A7764G36
		42-inches high	273A7764G42
		48-inches high	273A7764G48
13	Wire-through Door Assembly	+Insert height of door in inches; 6-inch increments only, from 06 to 72.	68J210375CB20++XXB
14	Slide Channel Guide (Not Shown)	For Upper & Lower Slide Channels	169C6389BLP1
15	Bus Barrier (Left Hand) (Not Shown)	2-inch main bus	204B4050WFP1
		4-inch main bus	68J120105WE0000AAN
16	Bus Barrier (Right Hand) (Not Shown)	2-inch main bus	204B4050WEP1
		4-inch main bus	68J120105WF0000AAN
17	Bottom Plate (Not Shown)	13-inch deep section	68J110312AB**XXXXB
		20-inch deep section, front	68J110312AC**XXXXB
		20-inch deep section, rear	68J110312AD**XXXXB
18	Lintel (13-inches deep only) (Not Shown)	20-inches wide	68J110308AB20XXXXB
		24-inches wide	68J110308AB24XXXXB
19	Vertical Bus (Not Shown)	Refer to Page 10	

\* Insert section width in inches ( i.e., 20 or 24)







## 7700-Line Motor Control Center Structural Parts

*Common Parts (Not Shown)*

Part	Description	Cat. No.
Bottom Plate	13-inch deep section	68J110312AB**XXB
	20-inch deep section Front	68J110312AC**XXB
	20-inch deep section Rear	68J110312AD**XXB
Cable Support (for vertical wire harness)		273A7819P1
Caplug (to close holes in side of section) Qty 5		204B4139AAG4
End Cover Plate	13-inch deep section	68J110314ACXXXXXB
	20-inch deep section	68J110314ABXXXXXB
Floor Channel	20-inch wide section	205A3576P1A
	24-inch wide section	205A3576P1E
Grommet (Order by length in feet)		147A4760P1
Hinge Bracket	Right Hand	117B5027P3
	Left Hand	117B5027P2
Screw (5)		204B4139AAG15
Latch Assembly, 1/4 Turn (Wire-through Door)		169C6386DMG2
Stub Shelf (Not for plug-in use)		68J121379BB20XXXXB
Touch-up Paint, ANSI-61 (Light Gray)- Spray Can		TSP61
Blank Door (15-inches wide)		See Item 13
	6-inches high	68J210375ABXX06XXB
	12-inches high	68J210375ABXX12XXB
	18-inches high	68J210375ABXX18XXB
	24-inches high	68J210375ABXX24XXB
	30-inches high	68J210375ABXX30XXB
	36-inches high	68J210375ABXX36XXB
	42-inches high	68J210375ABXX42XXB
	48-inches high	68J210375ABXX48XXB

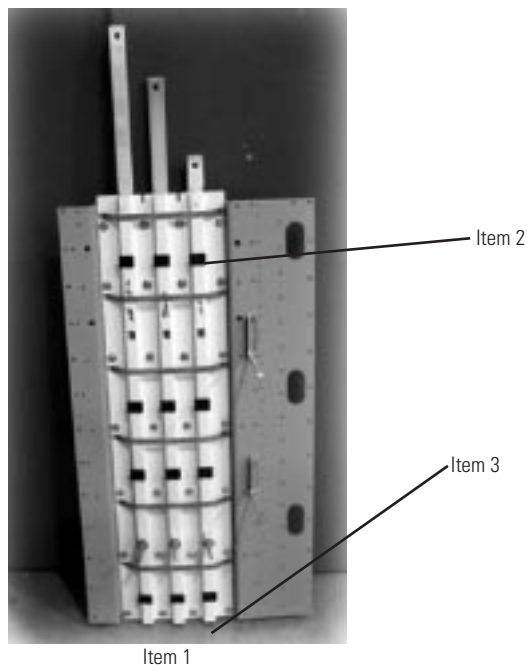
\* Insert section width in inches ( i.e., 20 or 24)





## 7700-Line Motor Control Center

### Vertical and Main Bus Parts



*Vertical Bus Assembly, 90-inch High Section, 2-inch Main Bus Bars*

Item	Height of Bottom Horizontal Wireway Cover	Short-circuit Bracing	Vertical Bus Rating (Amps)	Cat. No.
1	12-inch	22000 AIC	300	IC110V3*66#1
	6-inch	22000 AIC	300	IC110V3*72#1
	12-inch	22000 AIC	450	IC110V4*66#1
	6-inch	22000 AIC	450	IC110V4*72#1
	12-inch	22000 AIC	600	IC110V6*66#1
	6-inch	22000 AIC	600	IC110V6*72#1
	12-inch	42000 AIC	300	IC110V3*66#3
	6-inch	42000 AIC	300	IC110V3*72#3
	12-inch	42000 AIC	450	IC110V4*66#3
	6-inch	42000 AIC	450	IC110V4*72#3
	12-inch	42000 AIC	600	IC110V6*66#3
	6-inch	42000 AIC	600	IC110V6*72#3
	12-inch	65000 AIC	300	IC110V3*66#5
	6-inch	65000 AIC	300	IC110V3*72#5
	12-inch	65000 AIC	450	IC110V4*66#5
	6-inch	65000 AIC	450	IC110V4*72#5
	12-inch	65000 AIC	600	IC110V6*66#5
	6-inch	65000 AIC	600	IC110V6*72#5

\* For 20-inch wide section, insert "M". For 24-inch wide section, insert "A".

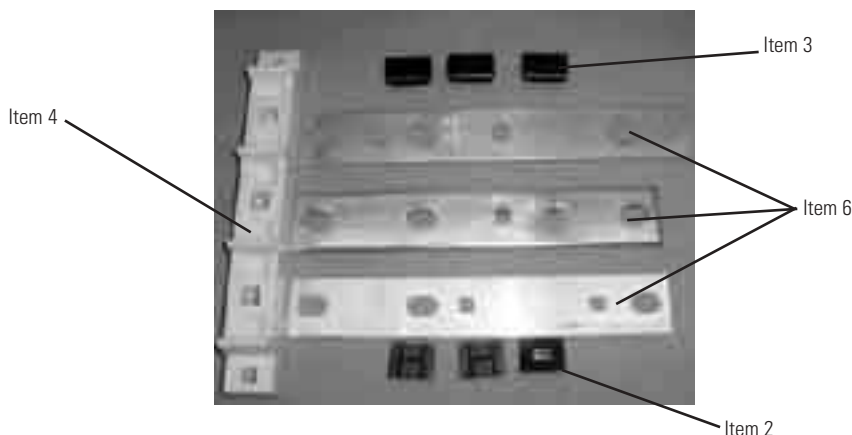
# For Copper with Tin Immersion Plating, insert "B". For Copper with Silver Immersion Plating, insert "C".





## 7700-Line Motor Control Center

### Vertical and Main Bus Parts



Vertical Bus Assembly, 90-inch High Section, 4-inch Main Bus Bars

Item	Height of Bottom Horizontal Wireway Cover	Short-circuit Bracing	Vertical Bus Rating (Amps)	Cat. No.
1	6-inch	42000 AIC	300	IC110V3*66#3
	12-inch	42000 AIC	300	IC110V3*60#3
	6-inch	42000 AIC	450	IC110V4*66#3
	12-inch	42000 AIC	450	IC110V4*60#3
	6-inch	42000 AIC	600	IC110V6*66#3
	12-inch	42000 AIC	600	IC110V6*60#3
	6-inch	65000 AIC	300	IC110V3*66#5
	12-inch	65000 AIC	300	IC110V3*60#5
	6-inch	65000 AIC	450	IC110V4*66#5
	12-inch	65000 AIC	450	IC110V4*60#5
	6-inch	65000 AIC	600	IC110V6*66#5
	12-inch	65000 AIC	600	IC110V6*60#5

\* For 20-inch wide section, insert "N". For 24-inch wide section, insert "B".

# For Copper with Tin Plating, insert "B". For Copper with Silver Plating, insert "C".

Item	Description	Cat. No.
2	Plug for Stab Opening (Qty. 3)	204B4139AAG43
3	Vertical Bus Isolator (bottom)	151A7284P1
4	Main Bus Support (2-inch bus bars)	117B5047P1
5	Main Bus Support Insulator (Not Shown)	75A105521P101

Vertical Bus Assembly for Back-to-Back Construction

Short-circuit Bracing	Front Vertical Bus Assembly	Rear Vertical Bus Assembly*
22000 AIC	Use Standard Catalog Number	Use Standard Catalog Number
42000 AIC	Change Last Digit of Standard Cat. No. from 3 to 4	Use Standard Catalog Number

\* Caution: If the original 7700-Line MCC was not ordered with back-to-back construction and was braced for 42000 AIC, the rear vertical bus assembly will not physically fit in back-to-back construction.





## 7700-Line Motor Control Center

### Vertical and Main Bus Parts

#### Main Bus Assemblies – Main Bus Bar 2-inch

Item	Rating (Amps)	Material	Plating	Phase/ Location	Cat. No.	
					22000/42000 Bracing	65000 AIC Bracing
6	600	Copper	Tin	L1-Top	193A7608P12*	148B5181P25*
				L2-Middle	193A7609P12*	148B5181P27*
				L3-Bottom	193A7610P12*	148B5181P29*
		Silver	L1-Top	193A7608P11*	148B5181P1*	
			L2-Middle	193A7609P11*	148B5181P5*	
			L3-Bottom	193A7610P11*	148B5181P9*	
	Alum.	Tin	L-Top	193A7608P3*	148B5181P4*	
			1-2-Middle	193A7609P3*	148B5181P8*	
			1-3-Bottom	193A7610P3*	148B5181P12*	
	800	Copper	Tin	L1-Top	193A7608P17*	148B5181P26*
				1-2-Middle	193A7609P17*	148B5181P28*
				W-Bottom	193A7610P17*	148B5181P30*
		Silver	L1-Top	193A7608P14*	148B5181P14*	
			L2-Middle	193A7609P14*	148B5181P18*	
			L3-Bottom	193A7610P14*	148B5181P22*	
		Alum.	Tin	L1-Top	193A7608P6*(#)	148B5181P13*(#)
				L2-Middle	193A7609P6*(#)	148B5181P17*(#)
				L3-Bottom	193A7610P6*(#)	148B5181P21*(#)
1000	Copper	Tin	–	Same as 600 Amp only use 2 bars/phase		
		Silver	–	Same as 600 Amp only use 2 bars/phase		

\*Add one letter for each vertical section in the MCC line-up, to a maximum of 3; For 20-inch wide section, add "A". For 24-inch wide section, add "E".  
# Use quantity of two (2) bars per phase.

#### Main Bus Assemblies – Main Bus Bar 4-inch

Item	Rating (Amps)	Material	Plating	Phase	Cat. No.	
					Front Bar	Rear Bar
6	1200	Copper	Tin	L1, L2 or L3	232A9481P12*	N/A
			Silver	L1, L2 or L3	232A9481P11*	N/A
		Alum.	Tin	L1, L2 or L3	232A9480P5*	232A9481P5*
	1600	Copper	Tin	L1, L2 or L3	232A9480P15*	232A9481P15*
			Silver	L1, L2 or L3	232A9480P16*	232A9481P16*
	2000	Copper	Tin	L1, L2 or L3	232A9480P19*	232A9481P19*
Silver			L1, L2 or L3	232A9480P20*	232A9481P20*	

\*Add one letter for each vertical section in the MCC line-up, to a maximum of 3; For 20-inch wide section, add "A". For 24-inch wide section, add "E".  
# Use quantity of two (2) bars per phase.





## 7700-Line Motor Control Center

### Vertical and Main Bus Parts

#### Other Common Parts (Not Shown)

Description			Cat. No.	
			Bus Bar	Splice Bar
Copper Ground Bus	1/4" x 1"	Unplated	193A7611P5*	232A9491P1
		Tin plated	193A7611P14*	232A9491P4
		Silver plated	193A7611P13*	232A9491P5
	1/4" x 2"	Unplated	193A7611P1*	151A1286P1
		Tin plated	193A7611P18*	151A1286P5
		Silver plated	193A7611P17*	151A1286P4
Aluminum Ground Bus	1/4" x 2"	Tin plated	193A7611P6*	193A7295P2
	3/8" x 2"	Tin plated	193A7611P20*	193A7295P1
Copper Neutral Bus	1/4" x 1"	Tin plated	193A7611P17*	161A9259P17
		Silver plated	193A7612P15*	61A9259P15
	1/4" x 2"	Tin plated	193A7612P13*	161A9259P10
		Silver plated	193A7612P12*	161A9259P9
	3/8" x 2"	Tin plated	193A7612P20*	161A9259P6
		Silver plated	193A7612P21*	161A9259P5
Aluminum Neutral Bus	1/4" x 2"	Tin plated	193A7612P16*	161A9259P13
	3/8" x 2"	Tin plated	193A7612P3*	148B5298P7

\* Add one letter for each vertical section in the MCC line-up, to a maximum of 3;

For 20-inch wide section, add "A"; For 24-inch wide section, add "E".

Description	Cat. No.
Alum. Joint Compound (Grease) 4 oz. tube	302A3747P3
Neutral Bus Mounting Bracket (minimum of 2-required)	151A1271P1
Neutral Bus Insulator (minimum of 2-required)	796A526P1
Vertical Bus Shutter Assembly	204B4153BVG1

#### Main Bus Splice Bar Kits (Not Shown)

Main (Horizontal) Bus Data			Bus Splice Kit
Rating (Amps)	Material	Plating	Cat. No. <sup>①</sup>
600	Copper	Tin	272A5610G26
	Copper	Silver	272A5610G1
	Aluminum	Tin	272A5610G9 <sup>②</sup>
800	Copper	Tin	272A5610G25
	Copper	Silver	272A5610G27
	Aluminum	Tin	272A5610G6 <sup>②</sup>
1000	Copper	Tin	272A5610G24
	Copper	Silver	272A5610G2
1200	Copper	Tin	272A5610G23
	Copper	Silver	272A5610G13
	Aluminum	Tin	272A5610G15 <sup>②</sup>
1600	Copper	Tin	272A5610G22
	Copper	Silver	272A5610G11
2000	Copper	Tin	272A5610G21
	Copper	Silver	272A5610G12

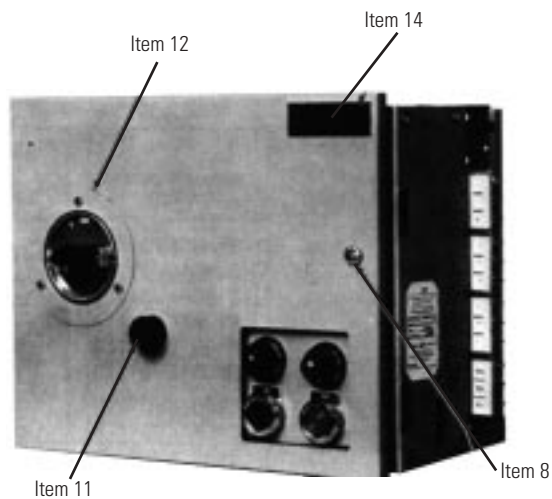
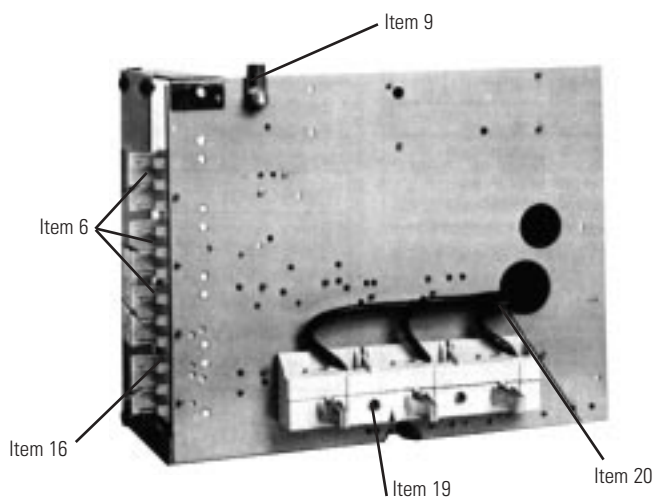
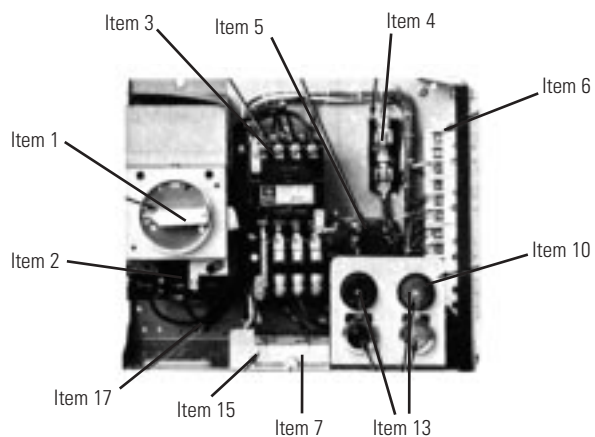
① Kit Catalog Number includes bus splices required for one complete splice of all three phases of the main (i.e., horizontal bus).

② Aluminum joint compound (grease) must be ordered separately. Order Catalog Number; 302A3747P3.





## 7700-Line Motor Control Center Unit Parts





## 7700-Line Motor Control Center

### Unit Parts

#### Rotary Style Handles

##### *Circuit Breaker*

<b>Item</b>	<b>Type</b>	<b>Horizontally Mounted Handle Cat. No.</b>	<b>Vertically Mounted Handle Cat. No.</b>
1	TED, THED, TEC, TECL	TEFR1H	TEFR1
	TFJ, TFK	TFKR1H	TFKR1
	TJK	TJR1H	TJR1
	TKM	TKMR1H	TKMR1

##### *Fusible Disconnect*

<b>Item</b>	<b>Switch Rating (Amps)</b>	<b>Horizontally Mounted Handle Cat. No.</b>	<b>Vertically Mounted Handle Cat. No.</b>
1	30-100	THMR1H	THMR1
	200	THMR2H	THMR2





## 7700-Line Motor Control Center Unit Parts

### Branch Overcurrent Protective Device

**Circuit Breaker:** 7700-line motor control centers utilize General Electric circuit breakers in combination starters, feeder tap units and main disconnect units. Replacement circuit breakers may be purchased through your local General Electric Distributor.

**Fusible Disconnect:** Modified versions of QMR and QMW switches are utilized in 7700-Line construction. When selecting the proper replacement switch, consideration must be given to the following:

- 1- Type of switch (QMR or QMW)
- 2- Size of starter, feeder or main
- 3- Fuse amperage and type of clip
- 4- Power supply voltage

Complete fusible disconnect switches consist of switch assembly, fuse clip base or base (as required), plus other factory modifications. Order by complete catalog number as listed in the tables on the following pages.

### Fusible Disconnect Switches

*For Starter Units (All Functions Except Part-winding), See Notes on Page 17.*

Item	NEMA Size	Switch Rating (Amps)	Fuse Clips		QMR Switch Cat. No.	QMW Switch Cat. No.	Installation Kit
			Type	Rating (Amps)			
2	1	30	R	0-30	204B4053G10	204B4054G10	204B4050VEG1
			R	31-60	204B4053G11	204B4054G11	204B4050VEG1
			J	0-30	204B4053G6	204B4054G6	204B4050VEG1
			J	31-60	204B4053G7	204B4054G7	204B4050VEG1
			R	0-30	204B4053G26	204B4054G26	204B4050VEG1
			R	31-60	204B4053G27	204B4054G27	204B4050VEG1
	2	60	R	61-100	204B4053G76	204B4054G76	204B4050VEG1
			J	0-30	204B4053G19	204B4054G19	204B4050VEG1
			J	31-60	204B4053G20	204B4054G20	204B4050VEG1
			J	61-100	204B4053G74	204B4054G74	204B4050VEG1
			R	31-60	204B4053G62	204B4054G62	204B4050VEG2
			R	61-100	204B4053G63	204B4054G63	204B4050VEG2
	3 <sup>①</sup>	100	R	101-200	204B4053G64	204B4054G64	204B4050VEG2
			J	31-60	204B4053G54	204B4054G54	204B4050VEG2
			J	61-100	204B4053G55	204B4054G55	204B4050VEG2
			J	101-200	204B4053G56	204B4054G56	204B4050VEG2
	4	200	R	61-100	204B4055G14	204B4056G14	204B4050VKPI plus 272AS650BTP1
			R	101-200	204B4055G15	204B4056G15	
			R	201-400	204B4055G26	204B4056G26	
			J	61-100	204B4055G8	204B4056G8	
J			101-200	204B4055G9	204B4056G9		
J			201-400	204B4055G24	204B4056G24		
5	400	R	201-400	THM3565	N/A	TPBRK56A	
		R	401-600	THM3566	N/A	TPBRK56A	
		J	201-400	THM35J5	N/A	—	
		J	401-600	THM35J6	N/A	—	

① For 24-inch high unit, refer to Spare Recommendations before ordering.







## 7700-Line Motor Control Center

### Unit Parts

#### Fusible Disconnect Switches

For Feeder Units. See Notes Below.

Item	Switch Size (Amps)	Unit Door Height (In.)	Fuse Clips		QMR Switch Cat. No.	QMW Switch Cat. No.	Installation Kit
			Type	Rating (Amps)			
2	30	6	R	0-30	204B4053G10	204B4054G10	Kit Number 1
			J	0-30	204B4053G6	204B4054G6	Kit Number 1
		12	R	0-30	204B4053G10	204B4054G10	Kit Number 2
			J	0-30	204B4053G6	204B4054G6	Kit Number 2
	60	6	R	31-60	204B4053G27	204B4054G27	Kit Number 3
			J	31-60	204B4053G20	204B4054G20	Kit Number 3
		12	R	31-60	204B4053G27	204B4054G27	Kit Number 4
			J	31-60	204B4053G20	204B4054G20	Kit Number 4
	100	12	R	61-100	204B4053G78	204B4054G78	Kit Number 5
			J	61-100	204B4053G55	204B4054G55	Kit Number 5
	200	24	R	101-200	204B4055G21	204B4056G21	Kit Number 6
			J	101-200	204B4055G19	204B4056G19	Kit Number 6
	400	48	R	201-400	THM3565	N/A	Kit Number 7
			J	201-400	THM35J5	N/A	Kit Number 7
	600	48	R	401-600	THM3666	N/A	Kit Number 8
			J	401-600	THM36J6	N/A	Kit Number 8

For Part-winding Starter Units Only. See Notes Below.

Item	NEMA Size	Switch Rating (Amps)	Fuse Clips		QMR Switch Cat. No.	QMW Switch Cat. No.	Installation Kit
			Type	Rating (Amps)			
2	1	30	R	0-30	204B4053G10	204B4054G10	204B4050VEG1
			R	31-60	204B4053G11	204B4054G11	204B4050VEG1
			J	0-30	204B4053G6	204B4054G6	204B4050VEG1
			J	31-60	204B4053G7	204B4054G7	204B4050VEG1
	1 or 2	60	R	31-60	204B4053G27	204B4054G27	204B4050VEG1
			R	61-100	204B4053G28	204B4054G76	204B4050VEG1
			J	31-60	204B4053G20	204B4054G20	204B4050VEG1
			J	61-100	204B4053G21	204B4054G74	204B4050VEG1
	2 or 3	100	R	101-200	204B4053G64	204B4054G52	204B4050VEG2
			J	101-200	204B4053G36	204B4054G56	204B4050VEG2
	3	100	R	61-100	204B4053G63	204B4054G78	204B4050VEG2
			J	61-100	204B4053G55	204B4054G55	204B4050VEG2
	3 or 4	200	R	101-200	204B4055G15	204B4056G21	
			R	201-400	204B4055G16	204B4056G26	204B4050VKP1 plus
			J	101-200	204B4055G9	204B4056G19	272A5650BTP1
			J	201-400	204B4055G10	204B4056G24	
5	400	R	201-400	THM3565	N/A	TPBRK56A	
		R	401-600	THM3566	N/A	TPBRK56A	
		J	201-400	THM35J5	N/A		
		J	401-600	THM35J6	N/A		

For Main Switches. See Notes Below.

Item	Switch Size (Amps)	Unit Door Height (In.)	Fuse Clips		QMR Switch Cat. No.	QMW Switch Cat. No.	Installation Kit
			Type	Rating (Amps)			
2	200	30	R	101-200	204B4055G21	204B4056G15	Kit Number 9
			J	101-200	204B4055G19	204B4056G19	Kit Number 9
	400	48	R	201-400	THM3565	N/A	Kit Number 7
			J	201-400	THM35J5	N/A	Kit Number 7
	600	48	R	401-600	THM3666	N/A	Kit Number 8
			J	401-600	THM36J6	N/A	Kit Number 8

#### Notes For Item 2 (Fusible Disconnect Switch)

- All switches listed are rated for 600 volts; for 250 volt applications, refer to Spare Recommendations.
- Installation kit must be ordered and installed with the replacement switch to obtain the complete switch assembly.
- Parts called for in individual kit numbers must be ordered individually; do not order by kit number.





## 7700-Line Motor Control Center Unit Parts

### Fusible Disconnect Switches

*Installation Kit-For QMR/QMW Feeder Units And Main Switches*

Cat. No.	Description	Kit Number Quantity Required								
		1	2	3	4	5	6	7	8	9
TPBRK56A	Rejection Pin Kit (R)							1	1	
113A5436P1	Lug			3	3					
113A5437P1	Lug					3				
204B4050FVP1	Switch Insulator		1							
204B4050VEG1	QMR/QMW Parts Assembly		1		1					
204B4050VEG2	QMR/QMW Parts Assembly					1				
204B4050VKP1	Line Shield						1			
204B4118ACP1	Bat-wing Insulators	1		1						
204B4118ACP2	Bat-wing Insulators	1		1						
232A6981P4	Lug									3
232A6981P12	Lug								3	
264V195P1	Lug	3	3							
272A5602ESP1	Load Base Insulator		1		1					
272A5650BMP3	Line Shield	1		1						
272A5650BTP1	Line Shield Nameplate	1		1						
272A5650KYP2	Insulator									1
272A5650L1KP1	Insulator		1		1					
68J122002AW0102AJB	Line Shield							1	1	
75B125076P1	Lug						3			
75B125077G701	Lug							3		

#### Starter/Contactor

*For correct replacement parts, refer to the appropriate  
enewal parts, and consult the Control Catalog.*

Item	NEMA Size	100-Line	200-Line
3	1	GEF-4146	GEF-4404
	2	GEF-4147	GEF-4405
	3	GEF-4248	GEF-4406
	4	GEF-4276	GEF-4407
	5	GEF-4249	GEF-4408

#### Fuse Blocks (Control Circuit)

Item			
4	With Control Power Transformer	2 Primary – 1 Secondary	CSC # 3032GE-EDC
	Without Control Power Transformer	(Line Power)	CSC # 60327SJ

#### Control Power Transformer (120 Volt Secondary-60 Hz)

Item	Control Power Transformer	480 Volt Primary Cat. No.	600 Volt Primary Cat. No.
5	Size 1-FVNR/FVR (Standard) 60 VA	302A3600YDP201	Use 150 VA - Below
	Size 2-FVNR/FVR (Standard) 150 VA	302A3600YDP204	302A3600YDP226
	Size 3-FVNR/FVR (Standard) 300 VA	302A3600YDP207	302A3600YDP230
	Size 4-FVNR/FVR (Standard) 300VA	302A3600YDP207	302A3600YDP230





## 7700-Line Motor Control Center

### Unit Parts

#### Control Terminal Board

Item	3 Pt. Control Terminal Board	When Used	Cat. No.
6	Male	Mounted on starter unit	75B132504G701
	Female	Mounted on vertical section	204B4153APG1
	Mounting Clip	For female board	577A285P1
	Marking Strip	3 pt- blank	272A5615P101
	Assembly	All of the above	204B4048G1

Item	Description	Cat. No.
7	Racking Screw (Plug-In Units Only)	273A7722P1
	Retainer (Quantity 3)	204B4139AAG36
	Cupwasher (Quantity 3)	204B4139AAG37

Item	Description	Cat. No.
8	Door Latch Assembly	169C6366DMG2

Item	Description	Cat. No.
9	Unit Frame Latch Assembly	169C6386DMG1

#### Pushbutton Bracket

Item	Description	Cat. No.
10	Blank (no holes)	151A1224P10
	1 hole	151A1224P2
	2 hole	151A1224P3
	3 hole	151A1224P4
	4 hole	151A1224P5
	Plug button (gray)	CR2940UH200

#### Overload Reset Assembly

Item	NEMA Size	Function	Cat. No.
11	1	All	116C8961G1
	2	All except RVNR	116C8961G2
	2	RVNR	116C8961G4
	3	All	116C8961G3
	4	All	116C8961G3
	5	All	116C8961G5

#### Door Ring

Item	Device Type	Device Type Outer Ring & Interlock Assembly Device mounted	
		Vertically	Horizontally
12	Circuit Breaker ("E" or "F" Frame)	973C122G1	973C122G2
	Circuit Breaker ("J" Frame)	973C122G3	973C122G4
	QMR/QMW ( To 200 Amp)	973C122G1	973C122G2
	QMR/QMW (400 or 600 Amp)	973C122G7	N/A





## 7700-Line Motor Control Center

### Unit Parts

#### Pilot Device (Type CR2940)

Item	Description	Cat. No.
13	Pushbutton (START)	CR2940WA310B
	Pushbutton (STOP)	CR2940WA301C
	Selector Switch (OFF_ON)	CR2940UB310A00
	Selector Switch (HAND-OFF-AUTO)	CR2940UB311B00
	Indicating Light (120 V)	CR2940UC212A2
	Indicating Light (Trans. Type, 120 V)	CR2940UE212A2
	Indicating Light (Trans. Type, 240V)	CR2940UE212A3
	Indicating Light (Trans. Type, 480 V)	CR2940UE212A4
	Color Cap, Red	CR2940U200H
	Color Cap, Green	CR2940U200J
Color Cap, Amber	CR2940U200K	

#### Notes:

1. For devices not listed above, refer to GEP-694.
2. Indicating lights listed above are oiltight type, less color cap.
3. Transformer type indicating lights are 6 volt, No. 55 bulb (Cat. No. 144A4918P20).

#### Service Designation Nameplate (Blank)

Item	Description	Cat. No.
14	White Face/Black Core	273A7916P3EC
	Black Face/White Core	273A7916P3FC
	Mounting Clip (2 required)	204B4139AAG5 (Qty 6)

#### Unit Nameplate (Blank)

Item	Description	Cat. No.
15	Blank	221B9151P1

#### Power Terminal Board

Item	NEMA Style	Cat. No.
16	Male (Mounted on starter unit)	75B132504G701
	Female (Mounted on vertical section)	204B4153APG2
	Mounting Clip (For female board)	577A285P1
	Marking Strip (3 pt.-blank)	272A5615P101
	Assembly (All of above)	204B4048G4
NEMA Size 3 and 4	Power TB	204B4050WDG1

#### Harnesses

Load Wire Harness (Starter to power terminal board)

Item	Function	NEMA Size	Cat. No. (For Circuit Breaker)	Cat. No. (For Fusible Disconnect)
17	FVNR	1	7119R47	7119R47
		2	7119R68	7119R68
		3	7119R58	7119R58
		4	7119R58	7119R58
	FVR	1	7119R52	7119R52
		2	7119R49	7119R49
	2S1W	1	7119R56	7119R56
		2	7119R72	7119R72
	2S2W	1	7119R55	7119R55
		2	7119R50	7119R50

**Note:** Above harnesses utilize standard GE type THW (flamencol) wire cable. Do not order above catalog numbers if your motor control center was ordered with special type power wire cable.





## 7700-Line Motor Control Center Unit Parts

Item	Description	Cat. No.
18	Line Connection Barrier 30/60/100 ampere QMR/QMW Fusible Disconnect Switches (Only)	272A5650UJP1

Item	Description	Cat. No.
19	Stab Assembly (includes Plastic Base, Cover) No Stabs	117B6219G2

*Stab Power Harness (Includes harness and stab fingers)*

*Combination Starter Units*

Item	NEMA Size	Function	Circuit Protective Device	Harness Cat. No.	
20	1	FVNR-FVR-2S1W2S2W	Circuit Breaker	7078R95G6	
			QMR/QMW	7078R95G6	
	2	FVNR	FVNR	Circuit Breaker	7078R95G6
			FVNR	QMR/QMW	7078R95G6
			FVR-2S1W-2S2W	Circuit Breaker- QMR/QMW	7078R95G6
	3	FVNR	FVNR	Circuit Breaker ("E" Frame)	7078R95G12
			FVNR	Circuit Breaker ("E" Frame)	7078R95G11
			FVNR	QMR/QMW	7078R95G6
	4	FVNR	FVNR	Circuit Breaker ("F" Frame)	7078R95G14
			FVNR	QMR/QMW	7078R95G10

*Stab Power Harness (Includes harness and stab fingers)*

*Feeder Units/Main Disconnects*

Item	Rating (Amps)	Circuit Protective Device	Unit Door Height (In)	Harness Cat. No.
20	0-40	Circuit Breaker	6	7078R95G9
	50-100	Circuit Breaker	6	7078R97G2
	"E" Frame	Circuit Breaker	12	7078R97G7
	30	Fusible Disconnect QMR/QMW	6	7078R95G4
	60	QMR/QMW	6	7078R95G4
	30-60	QMR/QMW	12	7078R96G2
	100	Circuit Breaker (E-frame)	12	7078R97G8

**Note:** Above harnesses utilize standard GE type THW (flamenol) wire cable. Do not order above catalog numbers if your motor control center was ordered with special type power wire cable.





## 7700-Line Motor Control Center

### Torque Table

Torque Table

Bolt Size	Copper Joints		Aluminum Joints	
	Lb-ft Min	Kg-m + Max	Lb-ft Min	Kg-m + Max
3/8 -16	12-16	1.66-2.21	11-14*	1.52-1.94
1/2- 13	30-39	4.15-5.39	24-27	3.32-3.73
2-inch (50.8) 1/2-13 Bus Splice Plate	24-27*	3.32-3.73	24-27*	3.32-3.73
4-inch (101.6 mm) 3/8-16 Bus Splice Plate 1/2-13	11-14*	1.52-1.94	11-14*	1.52-1.94
Special Incoming 1/2-13 Line Main Lug "T" Bolt	25-30	3.46-4.15	—	—





*For further information call or write your local GE Industrial Systems Sales Office or  
General Electric Company  
PO Box 489  
Mebane, NC 27302  
919-563-7449*



**GE Industrial Systems**