

# Manual motor starter MS132

Manual motor starters are electro-mechanical devices for motor and circuit protection. These devices offer local motor disconnect means, manual ON/OFF control, and protection against short circuit, overload, and phase loss conditions. Manual motor protection saves cost, panel space, and ensures fast and reliable short-circuit protection by reacting within milliseconds. Close-coupling adaptors are available for combination with ABB contactors.



## Description

- Overload protection – trip class 10
- Phase loss sensitivity
- Disconnect function
- Temperature compensation from -25 ... +60 °C
- Adjustable current setting for overload protection
- Suitable for three- and single-phase application
- Trip-free mechanism
- Built-in trip indication
- Clear switch position indication ON/OFF/TRIP
- Lockable handle

## Approvals

 cULus UL 508

 CB scheme

 CCC

 GOST-R

 GOST-F

 ABS


Lloyd's Register

 GL

 DNV

 RINA

## Marks

 CE

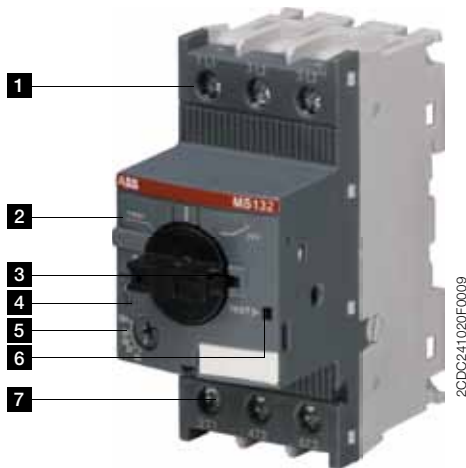
## Order data

MS132 screw terminal



Setting range A	Catalog number	Trip class	Packing unit PCE	Weight per PCE kg
0.10...0.16	MS132-0.16	10A	1	0.215
0.16...0.25	MS132-0.25	10	1	0.215
0.25...0.40	MS132-0.4	10	1	0.215
0.40...0.63	MS132-0.63	10	1	0.215
0.63...1.00	MS132-1.0	10	1	0.215
1.00...1.60	MS132-1.6	10	1	0.265
1.60...2.50	MS132-2.5	10	1	0.265
2.50...4.00	MS132-4.0	10	1	0.265
4.00...6.30	MS132-6.3	10	1	0.265
6.30...10.0	MS132-10	10	1	0.265
8.00...12.0	MS132-12	10	1	0.310
10.0...16.0	MS132-16	10	1	0.310
16.0...20.0	MS132-20	10	1	0.310
20.0...25.0	MS132-25	10	1	0.310
25.0...32.0	MS132-32	10	1	0.310

## Functional description



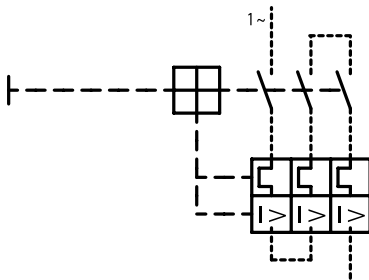
- 1** Terminals 1L1, 3L2, 5L3
- 2** Switch position TRIP
- 3** Lockable handle
- 4** Status indication for short-circuit
- 5** Current setting range  
Adjustable current setting for overload protection
- 6** Test function
- 7** Terminals 2T1, 4T2, 6T3

## Application

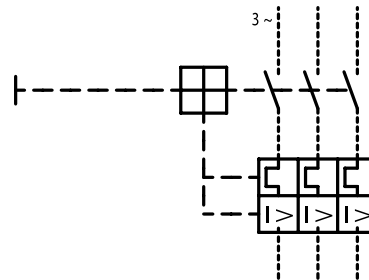
The manual motor starters protect the load and the installation against short-circuit and overload. They are three pole protection devices with thermal tripping elements for overload protection and electromagnetic tripping elements for short-circuit protection. Furthermore, they provide a disconnect function for safely isolation of the installation and the supply and can be used for the manual switching of loads.

The manual motor starters have a setting scale in amperes, which allows for direct adjustment of the device without any additional calculation. In compliance with international and national standards, the setting current is the rated current of the motor and not the tripping current (i.e., tripping at  $1.2 \times I$ ;  $I$  = setting current).

## Operation mode

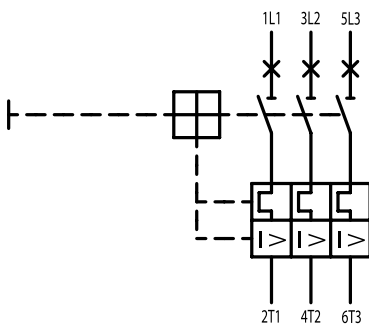


Single-phase operation



Three-phase operation

## Wiring diagram

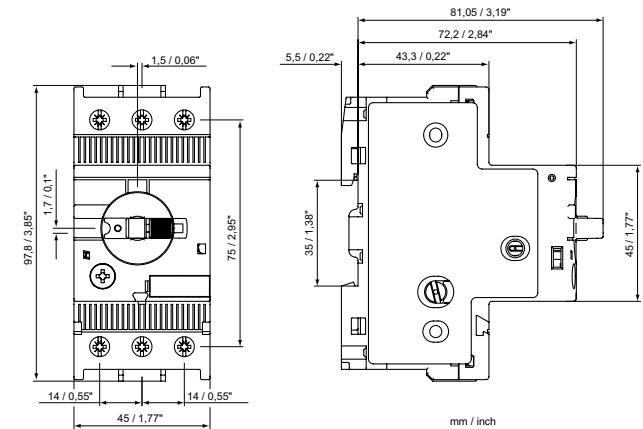
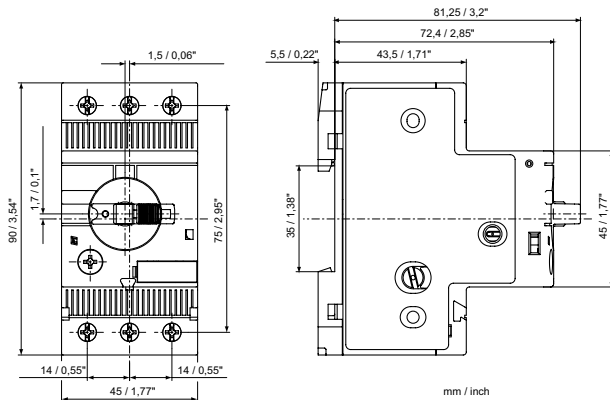


## Resistance and power loss per pole

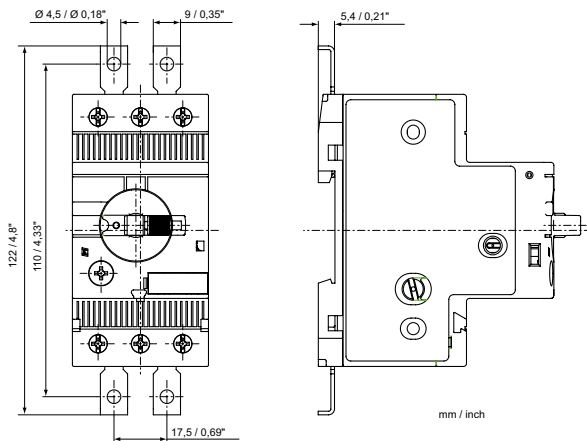
Type	Setting range		Resistance per pole $\Omega$	Power loss per pole	
	lower value A	upper value A		at lower value W	at upper value W
MS132-0.16	0.10	0.16	66.00	0.7	1.7
MS132-0.25	0.16	0.25	25.50	0.7	1.7
MS132-0.4	0.25	0.40	10.38	0.7	1.7
MS132-0.63	0.40	0.63	4.36	0.7	1.7
MS132-1.0	0.63	1.00	1.605	0.7	1.7
MS132-1.6	1.00	1.60	0.648	0.7	1.7
MS132-2.5	1.60	2.50	0.272	0.7	1.7
MS132-4.0	2.50	4.00	0.106	0.7	1.7
MS132-6.3	4.00	6.30	0.046	0.7	1.7
MS132-10	6.30	10.0	0.024	0.9	2.4
MS132-12	8.00	12.0	0.016	1.0	2.3
MS132-16	10.0	16.0	0.011	1.1	2.8
MS132-20	16.0	20.0	0.0057	1.5	2.3
MS132-25	20.0	25.0	0.0045	1.8	2.8
MS132-32	25.0	32.0	0.0030	1.9	3.1

## Dimensions

in mm / inches

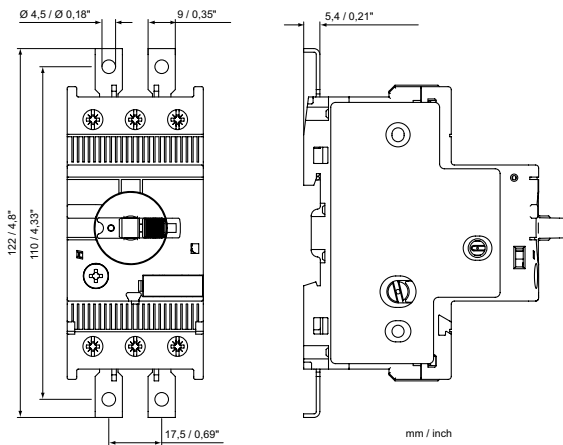


### MS132 ≤ 10 A



MS132 ≤ 10 A with screw fixing kit FS116 (accessory)

### MS132 > 10 A



MS132 > 10 A + with screw fixing kit FS116 (accessory)

## Technical data IEC/EN

Data at  $T_A = 40\text{ °C}$  and at rated values, if nothing else indicated

### Main circuit

	<b>1L1-3L2-5L3</b> <b>2T1-4T2-6T3</b>
Rated operational voltage $U_e$	690 V a.c. 250 V d.c.
Setting range - thermal overload protection	see table "Order data" on page 1
Rated operational current $I_r$	see table below
Rated operational current DC-5 $I_e$	see "Rated operational current $I_e$ "
3 conducting paths in series up to 250 V	
Rated instantaneous short-circuit current setting $I_i$	see table below
Rated service short-circuit breaking capacity $I_{cs}$	see table "Short-circuit breaking capacity and back-up fuses" on page 6
Rated ultimate short-circuit breaking capacity $I_{cu}$	
Rated service short-circuit breaking capacity d.c. $I_{cs}$	10 kA
3 conducting paths in series up to 250 V	
Trip class	see table "Order data" on page 1
Rated frequency	d.c., 50/60 Hz
Number of poles	3
Resistance per pole	see table "Resistance and power loss per pole"
Power loss per pole	on page 3

### Isolation data

Rated impulse withstand voltage $U_{imp}$	6 kV
Rated insulation voltage $U_i$	690 V
Pollution degree	3

### Electrical connection

		<b>MS132 ≤ 10 A</b>	<b>MS132-12, -16</b>	<b>MS132-20, -25, -32</b>
Connecting capacity	solid	1/2 x 1 ... 4 mm <sup>2</sup>		1/2 x 2.5 ... 6 mm <sup>2</sup>
	stranded	1/2 x 1 ... 4 mm <sup>2</sup>		1/2 x 2.5 ... 6 mm <sup>2</sup>
	flexible with ferrule	1/2 x 0.75 ... 2.5 mm <sup>2</sup>		1/2 x 1 ... 6 mm <sup>2</sup>
	flexible with ferrule insulated	1/2 x 0.75 ... 2.5 mm <sup>2</sup>		1/2 x 1 ... 6 mm <sup>2</sup>
	flexible without ferrule	1/2 x 0.75 ... 2.5 mm <sup>2</sup>		1/2 x 2.5 ... 6 mm <sup>2</sup>
Stripping length		9 mm	10 mm	10 mm
Tightening torque		0.8 ... 1.2 Nm	1.5 Nm	2 Nm
Connection screw		M3.5 (Pozidrive 2)	M4 (Pozidrive 2)	M4 (Pozidrive 2)

Type	Rated instantaneous short-circuit current setting $I_i$	Rated operational current $I_e$
	A	A
MS132-0.16	1.56	0.16
MS132-0.25	2.44	0.25
MS132-0.4	3.90	0.40
MS132-0.63	6.14	0.63
MS132-1.0	11.50	1.00
MS132-1.6	18.40	1.60
MS132-2.5	28.75	2.50
MS132-4.0	50.00	4.00
MS132-6.3	78.75	6.30
MS132-10	150	10.0
MS132-12	180	12.0
MS132-16	240	16.0
MS132-20	300	20.0
MS132-25	375	25.0
MS132-32	480	32.0

## General data

Mechanical durability		10 <sup>5</sup>
Electrical durability		5 x 10 <sup>4</sup>
Duty time		100 %
Dimensions (W x H x D)		see drawing "Dimensions" on page 3
Weight		see table "Order data" on page 1
Mounting		DIN-rail (EN 60715)
Mounting position		position 1-6 (optional for single mounting)
Group Mounting		on request
Minimum distance to other units same type	horizontal	0 mm
	vertical	150 mm
Minimum distance to electrical conductive board	horizontal, up to 400 V	0 mm
	horizontal, up to 690 V	> 1.5 mm
	vertical	75 mm
Degree of protection	enclosure / terminals	IP20
Utilization category		A
Altitude		up to 2000 m
Maximum operating frequency		170 cycles/h

## Electromagnetic compatibility

Electromagnetic compatibility		not applicable
-------------------------------	--	----------------

## Environmental data

Ambient air temperature		
Operation	open - compensated without derating	-25 ... +60 °C
	open	-25 ... +70 °C
Storage		-50 ... +80 °C
Temperature compensation		continuous
Vibration (sinusoidal) acc. to IEC/EN 60068-2-6 (Fc)		5g / 3 ... 150 Hz
Shock (half-sine) acc. to IEC/EN 60068-2-27 (Ea)		25g / 11 ms

## Standards / directives

Product standard		IEC/EN 60947-2
		IEC/EN 60947-4-1
		IEC/EN 60947-1
		UL 508, CSA 22.2 No. 14
Low Voltage Directive		2006/95/EC
EMC Directive		2004/108/EC
RoHS Directive		2002/95/EC

## Short-circuit breaking capacity and back-up fuses

$I_{cs}$  Rated service short-circuit breaking capacity

$I_{cu}$  Rated ultimate short-circuit breaking capacity

° No back-up fuse required, because short-circuit proof up to 100 kA

Type	230 V AC			400 V AC			440 V AC			500 V AC			690 V AC		
	$I_{cs}$ kA	$I_{cu}$ kA	gG A	$I_{cs}$ kA	$I_{cu}$ kA	gG A	$I_{cs}$ kA	$I_{cu}$ kA	gG A	$I_{cs}$ kA	$I_{cu}$ kA	gG A	$I_{cs}$ kA	$I_{cu}$ kA	gG A
MS132-0.16	100	100	°	100	100	°	100	100	°	100	100	°	100	100	°
MS132-0.25	100	100	°	100	100	°	100	100	°	100	100	°	100	100	°
MS132-0.4	100	100	°	100	100	°	100	100	°	100	100	°	100	100	°
MS132-0.63	100	100	°	100	100	°	100	100	°	100	100	°	100	100	°
MS132-1.0	100	100	°	100	100	°	100	100	°	100	100	°	100	100	°
MS132-1.6	100	100	°	100	100	°	100	100	°	100	100	°	100	100	°
MS132-2.5	100	100	°	100	100	°	100	100	°	100	100	°	100	100	°
MS132-4.0	100	100	°	100	100	°	20	20	on request	20	20	on request	3	3	on request
MS132-6.3	100	100	°	100	100	°	20	20	on request	20	20	on request	3	3	on request
MS132-10	100	100	°	100	100	°	20	20	on request	20	20	on request	3	3	on request
MS132-12	100	100	°	100	100	°	20	20	on request	20	20	on request	3	3	on request
MS132-16	100	100	°	100	100	°	20	20	on request	20	20	on request	3	3	on request
MS132-20	100	100	°	100	100	°	20	20	on request	20	20	on request	3	3	on request
MS132-25	50	50	100	50	50	100	20	20	on request	10	10	on request	3	3	on request
MS132-32	25	50	125	25	50	125	20	20	on request	10	10	on request	3	3	on request

## Technical data UL/CSA

### Main circuit

Maximum operational voltage		600 V
Manual Motor Controller ratings		see table "UL 508 – Manual Motor Controller" on page <?>
Motor ratings	Horse power	see table below
	Full load amps (FLA)	see table below
	Locked rotor amps (LRA)	see table below

Electrical connection		MS132 ≤ 10 A	MS132-12, -16	MS132-20, -25, -32
Connecting capacity	stranded	1/2 x AWG 16 ... 12		1/2 x AWG 12 ... 8
	flexible without ferrule	1/2 x AWG 16 ... 12		1/2 x AWG 12 ... 8
Stripping length		9 mm	10 mm	10 mm
Tightening torque		10 ... 12 lb-in	14 lb-in	18 lb-in
Connection screw		M3.5 (Pozidrive 2)	M4 (Pozidrive 2)	M4 (Pozidrive 2)

### Motor rating, single phase

hp Horse power

FLA Full load amps

LRA Locked rotor amps

Type	220 ... 240 V AC			440 ... 480 V AC		
	hp	FLA	LRA	hp	FLA	LRA
MS132-0.16	-	0.16	0.96	-	0.16	0.96
MS132-0.25	-	0.25	1.5	-	0.25	1.5
MS132-0.4	-	0.4	2.4	-	0.4	2.4
MS132-0.63	-	0.63	3.78	-	0.63	3.78
MS132-1.0	-	1	6	-	1	6
MS132-1.6	1/10	1.6	9.6	-	1.6	9.6
MS132-2.5	1/6	2.5	15	1/2	2.5	15
MS132-4.0	1/3	4	24	1/2	4	24
MS132-6.3	1/2	6.3	37.8	1	6.3	37.8
MS132-10	1-1/2	10	60	3	8.5	46
MS132-12	2	12	72	3	8.5	64
MS132-16	2	12	72	5	14	81
MS132-20	3	17	92	5	14	81
MS132-25	3	17	127	7-1/2	21	116
MS132-32	5	28	162	10	26	145

## Motor rating, three phase

hp Horse power

FLA Full load amps

LRA Locked rotor amps

Type	110 ... 120 V AC			220 ... 240 V AC			440 ... 480 V AC			500 ... 600 V AC		
	hp	FLA	LRA	hp	FLA	LRA	hp	FLA	LRA	hp	FLA	LRA
MS132-0.16	-	0.16	0.96	-	0.16	0.96	-	0.16	0.96	-	0.16	0.96
MS132-0.25	-	0.25	1.5	-	0.25	1.5	-	0.25	1.5	-	0.25	1.5
MS132-0.4	-	0.4	2.4	-	0.4	2.4	-	0.4	2.4	-	0.4	2.4
MS132-0.63	-	0.63	3.78	-	0.63	3.78	-	0.63	3.78	-	0.63	3.78
MS132-1.0	-	1	6	-	1	6	-	1	6	1/2	1	6
MS132-1.6	-	1.6	9.6	-	1.6	9.6	3/4	1.6	9.6	3/4	1.6	9.6
MS132-2.5	-	2.5	15	1/2	2.5	15	1	2.5	15	1-1/2	2.5	15
MS132-4.0	-	4	24	1	4	24	2	4	24	3	3.9	26
MS132-6.3	1/2	6.3	37.8	1-1/2	6.3	37.8	3	4.8	32	5	6.1	37
MS132-10	3/4	10	60	3	9.6	64	5	7.6	46	7-1/2	9	51
MS132-12	1-1/2	12	72	3	9.6	64	7-1/2	11	64	10	11	65
MS132-16	2	16	84	5	15.2	92	10	14	81	10	11	65
MS132-20	3	19.2	128	5	15.2	92	10	14	81	15	17	93
MS132-25	3	19.2	128	7-1/2	22	127	15	21	116	20	22	116
MS132-32	5	30.4	184	10	28	162	20	27	145	25	27	146

## Manual Motor Controller for Motor Disconnect

Type	Circuit Breaker or Class R fuse per UL/ NEC 480 V / 600 V	Maximum short-circuit current rating	
		480 V	600 V
		kA	kA
MS132-0.16	with minimum interrupting rating of 35,000 rms symmetrical amperes	30	18
MS132-0.25		30	18
MS132-0.4		30	18
MS132-0.63		30	18
MS132-1.0		30	18
MS132-1.6		30	18
MS132-2.5		30	18
MS132-4.0		30	18
MS132-6.3		30	18
MS132-10		30	18
MS132-12		30	18
MS132-16		30	18
MS132-20		30	18
MS132-25		30	18
MS132-32		30	18

Manual Motor Controller for Group Installation

Type	Circuit Breaker or Class R fuse per UL/ NEC 480 V / 600 V	Maximum short-circuit current rating	
		480 V	600 V
		kA	kA
MS132-0.16	with minimum	35	35
MS132-0.25	interrupting rating of	35	35
MS132-0.4	35,000 rms symmetrical	35	35
MS132-0.63	amperes	35	35
MS132-1.0		35	35
MS132-1.6		35	35
MS132-2.5		35	35
MS132-4.0		35	35
MS132-6.3		35	35
MS132-10		35	35
MS132-12		35	35
MS132-16		35	35
MS132-20		35	35
MS132-25		35	35
MS132-32		35	35

Manual Motor Controller for Group Installation in combination with current limiter S803W-SCLxxx-SR

Type	Maximum short-circuit current rating	
	480 V	600 V
	kA	kA
MS132-0.16	65	65
MS132-0.25	65	65
MS132-0.4	65	65
MS132-0.63	65	65
MS132-1.0	65	65
MS132-1.6	65	65
MS132-2.5	65	65
MS132-4.0	65	65
MS132-6.3	65	65
MS132-10	65	65
MS132-12	65	65
MS132-16	65	65
MS132-20	65	65
MS132-25	65	65
MS132-32	65	65

Self-Protected Combination Motor Controller (Type E) and Combination Motor Controller (Type F)

Type	UL 508 Self-Protected Combination Motor Controller (Type E) in combination with feeder block S1-M3-xx		UL 508 Combination Motor Controller (Type F)		UL 508 Manual Motor Controller for Tap Conductor Protection	
	Maximum short-circuit current rating		Maximum short-circuit current rating	Minimum contactor size	Maximum short-circuit current rating	
	480Y / 277 V		480Y / 277 V		480 V	600 V
	kA		kA		kA	kA
MS132-0.16	30	30	30	AF26...AF38	30	30
MS132-0.25	30	30	30	AF26...AF38	30	30
MS132-0.4	30	30	30	AF26...AF38	30	30
MS132-0.63	30	30	30	AF26...AF38	30	30
MS132-1.0	30	30	30	AF26...AF38	30	30
MS132-1.6	30	30	30	AF26...AF38	30	30
MS132-2.5	30	30	30	AF26...AF38	30	30
MS132-4.0	30	30	30	AF26...AF38	30	30
MS132-6.3	30	30	30	AF26...AF38	30	30
MS132-10	30	30	30	AF26...AF38	30	30
MS132-12	30	-	-	-	30	30
MS132-16	30	-	-	-	30	30
MS132-20	30	-	-	-	30	30
MS132-25	30	-	-	-	30	30
MS132-32	30	-	-	-	30	30

Self-Protected Combination Motor Controller (Type E) and Combination Motor Controller (Type F) in combination with current limiter S803W-SCLxxx-SR

Type	UL 508 Self-Protected Combination Motor Controller (Type E) in combination with current limiter S803W-SCLxxx-SR		UL 508 Combination Motor Controller (Type F) in combination with current limiter S803W-SCLxxx-SR	
	Maximum short-circuit current rating		Maximum short-circuit current rating	Minimum contactor size
	480Y / 277 V		480Y / 277 V	
	kA		kA	
MS132-0.16	65	65	65	AF26...AF38
MS132-0.25	65	65	65	AF26...AF38
MS132-0.4	65	65	65	AF26...AF38
MS132-0.63	65	65	65	AF26...AF38
MS132-1.0	65	65	65	AF26...AF38
MS132-1.6	65	65	65	AF26...AF38
MS132-2.5	65	65	65	AF26...AF38
MS132-4.0	65	65	65	AF26...AF38
MS132-6.3	65	65	65	AF26...AF38
MS132-10	65	65	65	AF26...AF38
MS132-12	65	-	-	-
MS132-16	65	-	-	-
MS132-20	65	-	-	-
MS132-25	65	-	-	-
MS132-32	65	-	-	-

**ABB Inc.**

Low Voltage Control Products  
 16250 W. Glendale Drive  
 New Berlin, WI 53151  
 Phone: 888-385-1221  
 Fax: 800-726-1441

USA Technical Support & Customer Service:

888-385-1221, Option 4  
 7:30AM to 5:30PM, CST,  
 Monday - Friday  
 lvps.support@us.abb.com

Web: [www.abb.us/lowvoltage](http://www.abb.us/lowvoltage)

**ABB Canada**

Low Voltage Products  
 2117, 32<sup>nd</sup> Avenue  
 Lachine, Quebec H8T 3J1  
 Tel.: 514-420-3100  
 Toll free: 800-567-0283

Canadian Technical Support:

lvp.support@ca.abb.com  
 Web: [www.abb.ca/lowvoltage](http://www.abb.ca/lowvoltage)

Power and productivity  
 for a better world™

