

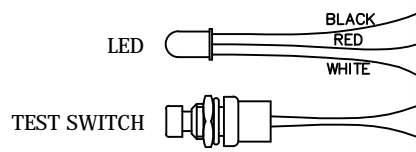
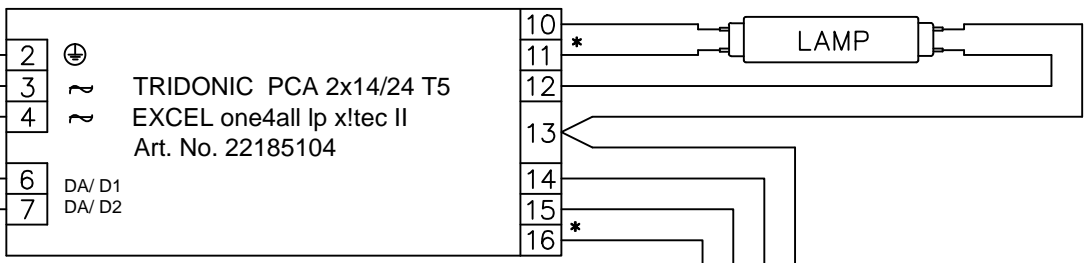
DRAWING NUMBER
NPWD143A

ISS	DATE	CHANGE	APPROVAL	ZONE
A	05/06/2014	ORIGINAL ISSUE		

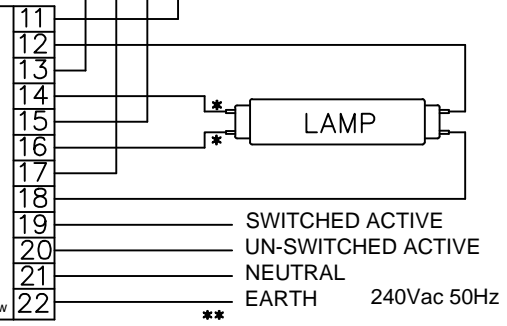
Gn/Yellow EARTH
Brown SWITCHE ACTIVE
Blue NEUTRAL

TRIDONIC PCA 2x14/24 T5
EXCEL one4all lp x!tec II
Art. No. 22185104

** control signal



PPNXS36
PPNRF36



If the dimming ballasts are to be employed with NEXUS, then the NEXUS power packs have to be assigned as a Non-Maintained. This is required as the ballast may be dimmed to low levels, at which point a maintained NEXUS power pack/fitting would report a faulty lamp.

NOTES:

1. Wiring status: Draft - Not tested. The ballast / power pack combination has not been wired up and tested to confirm functional compatibility.
2. This wiring diagram is provided in good faith and the best of our knowledge at the time of publication. Thomas and Betts does not give any warranty or representation as to the accuracy, reliability or completeness of the information. Thomas and Betts shall not be liable for any loss or damage arising in any way from or in connection with any information provided or omitted, or from anyone acting or refraining to act in reliance on this information.
3. Changes to ballast specification by the manufacturer are beyond our control and may cause adverse effect on the performance, EMC issue and compatibility issue. Consult Thomas and Betts for further advise.

DRAWN	G.K.Grover	Thomas&Betts <small>A Member of the ABB Group</small>		
CHECKED	-----	<small>© ABN 62074810898 23A NYRANG ST, LIDCOMBE NSW 2141 AUSTRALIA</small>		
APPROVED	G.K.Grover	TITLE Wiring diagram PPNRF18 with TRIDONIC PC 2x18 T8 PRO Art. No. 22176107 Elect Ballast		
DATE:	05/06/14	ALSO USED ON PPNXS18	DRAWING NUMBER NPWD143A	SHEET SIZE A3
DRAWING STD AS 1100		SCALE N.T.S.	SHEET 1 OF 1	