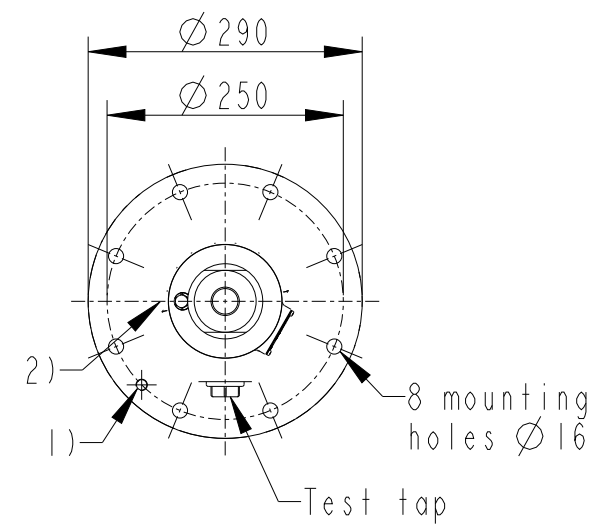
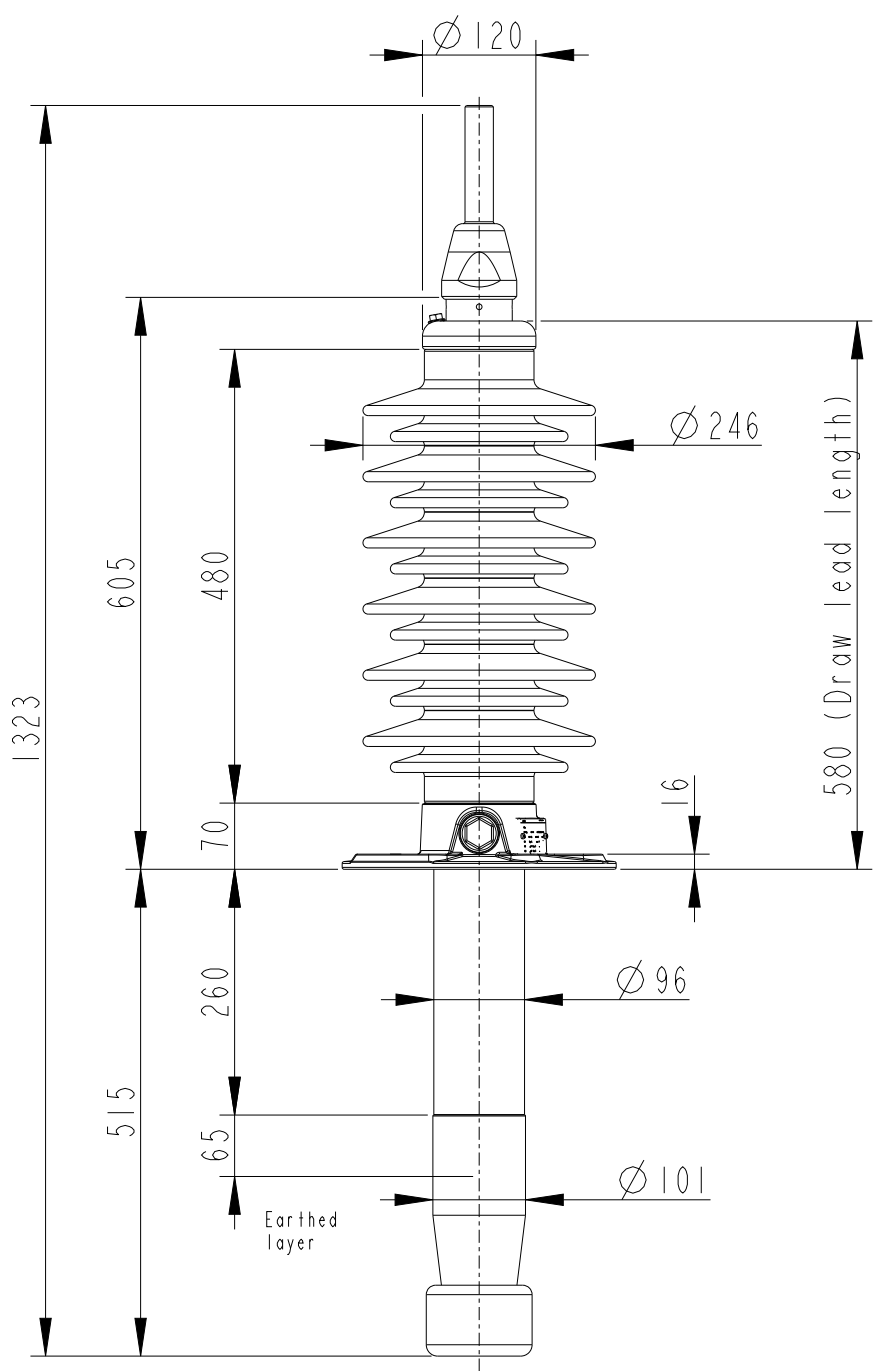


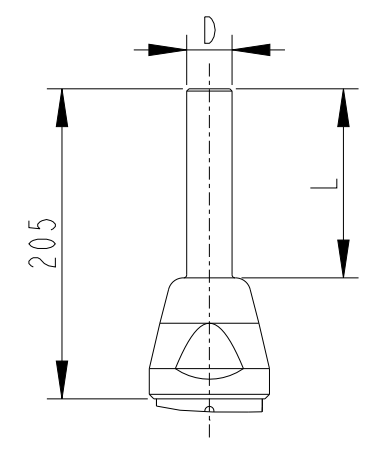
This document is issued by means of a computerized system. The digitally stored original is electronically approved. The approved document has a date entered in the "Approved"-field. A manual signature is not required.

We reserve all rights in this document and in the information contained therein. Reproduction, use or disclosure to third parties without express authority is strictly forbidden.

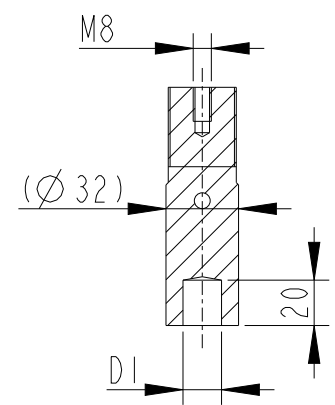
Revision	Revision text
D	Phase to Ground Voltage changed from 52 to 30kV



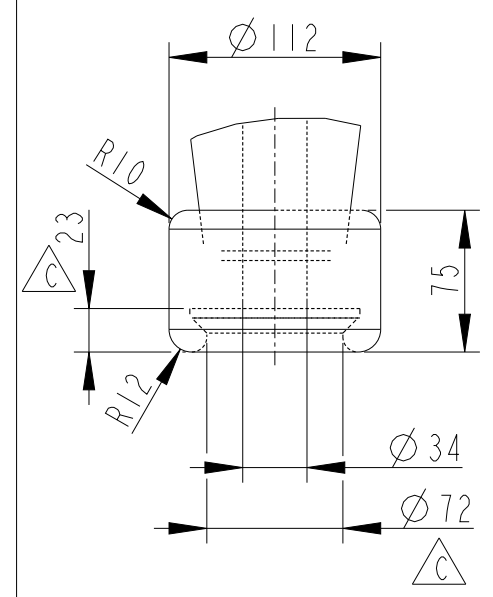
OUTER TERMINAL



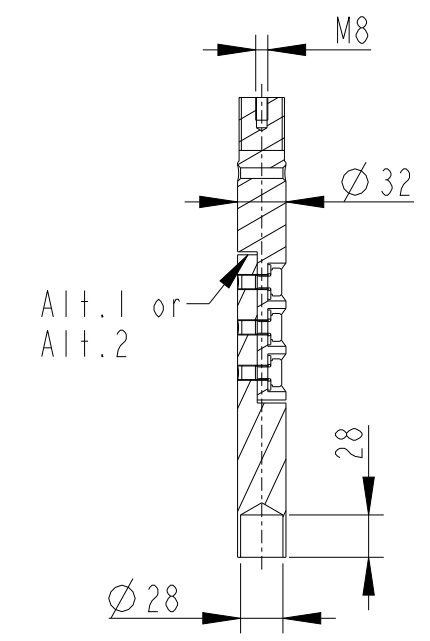
INNER TERMINAL FOR STRANDED CABLE



END SHIELD



SOLID ROD CONNECTOR



The solid rod can be divided either:
 Alt.1: 20mm below the bushing flange or
 Alt.2: 20mm below the upper end of the bottom porcelain

Bushing Data:

Rated Voltage	52	kV
Phase to Ground Voltage	Δ 30	kV
Dry Lightning Impulse 1,2/50 μ s	250	kV
Wet power frequency AC	105	kV
Routine test Imin dry 50Hz	120	kV
Rated Current	1250	A
Creepage Distance	1500 \pm 50	mm
Creepage Distance Protected	580	mm
Mass	36	kg

Ordering Data:

BUSHING	COLOUR	AIR INSULATOR
LF123019-K	BROWN	
LF123019-L	LIGHT GREY	
LF123019-HK	BROWN	Horizontal 45°-90°
LF123019-HL	LIGHT GREY	Horizontal 45°-90°
OUTER TERMINAL	Material	D L
LF 170 002-B	Cu alloy,	\varnothing 30,125
LF 170 001-B	Al,	\varnothing 30,125
OTHER TYPES ON REQUEST		
INNER TERMINAL FOR STRANDED CABLE		
For brazing	Conductor area	D1
LF 170 011-T	up to 285mm ²	\varnothing 29
LF 170 011-V	Undrilled with pilot hole	\varnothing 5
SOLID ROD CONNECTOR	Material	
LF 170 052 -D for Alt.1	Cu	
LF 170 052 -B for Alt.2	Cu	

- M12 (For Earthing)
- \varnothing 4 Oil connection hole (only valid for horizontal mounting)

ABB		Ludvika, Sweden	
No.			
Um	kV Ir	A	50/60 Hz
BL	kV SIL	kV AC	kV
M	kg L	mm	✓
C1	pF Tan δ	x	
C2	pF Tan δ	x	

Created by Jacob Stefansson	Reviewed by Joakim Persson	Approved by Natalia Gutman
Approved 2020-01-13	Document Kind Outline Drawing	Based on doc.id -
Company ABB Technology Ltd	Title, Supplementary title GOB 250-1250-0.3	
Responsible Department SEABB-9AAE300824	WITHOUT OIL LEVEL GAUGE STD END SHIELD	
ABB	Document id 2751369-117	Status Released
	Revision D	Iteration 1/1
		Sheet 1/1