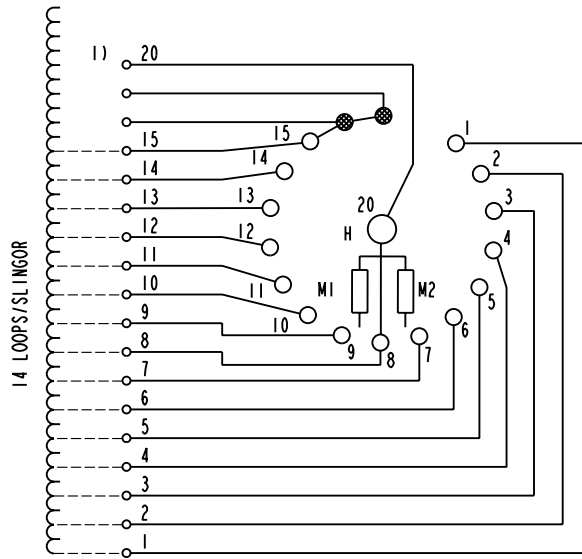


We reserve all rights in this document and in the information contained therein. Reproduction, use or disclosure to third parties without express authority is strictly forbidden. © ABB 19

Pos. Lage	H connects H förbinder
1	1 - 20
2	2 - 20
3	3 - 20
4	4 - 20
5	5 - 20
6	6 - 20
7	7 - 20
8	8 - 20
9	9 - 20
10	10 - 20
11	11 - 20
12	12 - 20
13	13 - 20
14	14 - 20
15	15 - 20

On-load tap-changer type UZEL., UZFL., 15 tap positions, linear switching.
Max. effective No. of turns in pos. 1.
The tap-changer is delivered set in pos. 8.

Lindningskopplare typ UZEL., UZFL., 15 lägen, linjär koppling.
Max. antal effektiva varv i läge 1.
Lindningskopplaren levereras inställd i läge 8.



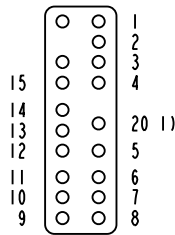
The tap-changer is shown in pos. 8
Lindningskopplaren visad i läge 8

H Main contact M1, M2 Transition contacts
Huvudkontakt Motståndskontakter

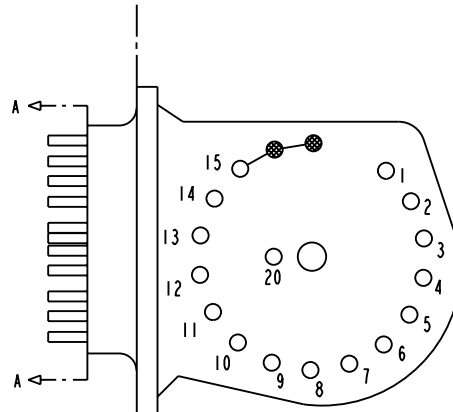
1) Connections between the terminals 20 of the three phases are included in the star-point type.

Förbindningar mellan uttag 20 i de tre faserna ingår i nollpunktsutförandet.

Terminal board Plint



Section A-A
Sektion A-A



Transformer tank
Transformatorlåda

Tap-changer tank
Lindningskopplarlåda

Sheet	Cont	Year	Week	Appd	Year	Week	Description (English) CONNECTION DIAGRAM		DATA ORIGINAL	
Year	Week	Cont	Year	Week	Year	Week	Description (own language) KOPPLINGSSCHEMA		File name 0393-11	
Rev Ind	Revision	Accepted for prod by	R. Yngvesson						Lang	Sheet
Design checked by	B-O. Stenestam	Drawn by	L. Bergman						Rev Ind	Cont
Design checked by	M. Hedlund	Issued by	COM/TKO 97 33							
		Asea Brown Boveri		5492 0393-11						