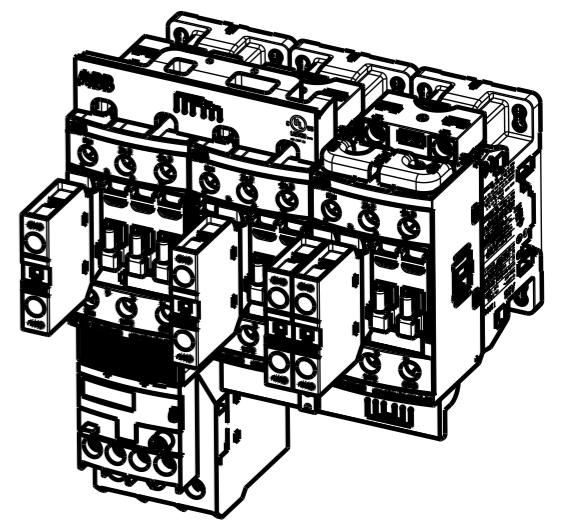
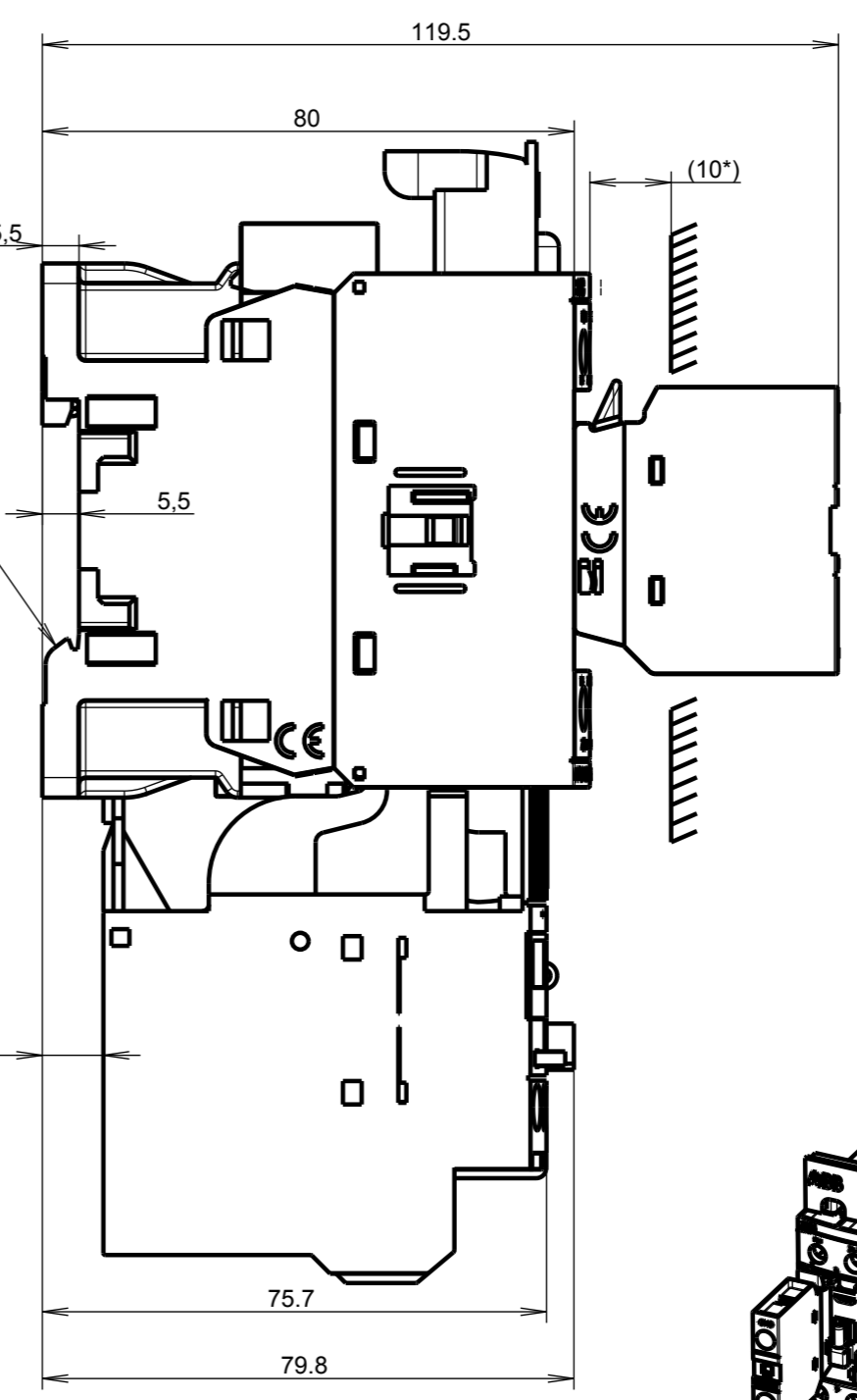
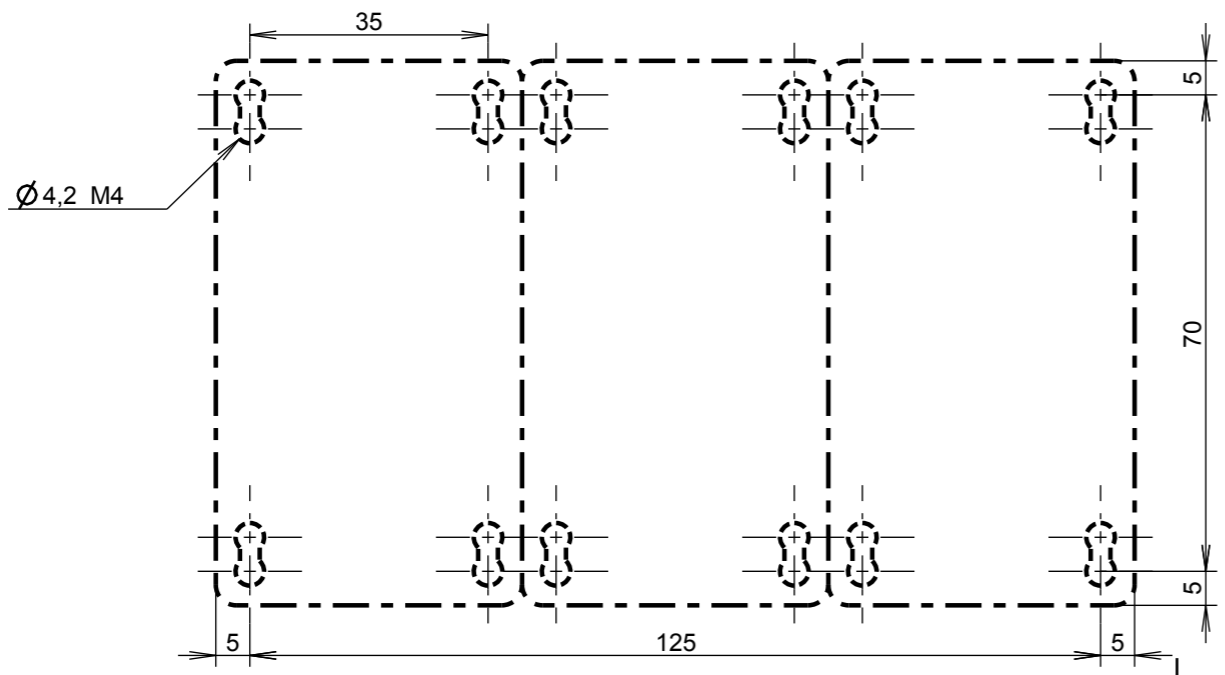


35mm EN/IEC 60715



ECHELLE 2:5

(\*) : minimum distance to grounded component



SQR Number: D7001							
C	MAJ PTC	07/02/2014	-	Stephane Bovis	Gérard Valendru		
Modif	Description	DATE	N°ECN	Author	Control		
<b>ABB</b>		Author	Creation	Control	Observations: -		
	Bovis S	07/02/2014	Valendru G	First ECN	Scale	Nb pg	
Title : AF26..38+VM4+BEY38+TF42		Running number	Doc	Size	Type	N°Page	Rev
STAR DELTA		1SBB505084D3501				C	
ENCOMBREMENT / DIMENSIONS+DRILLING							