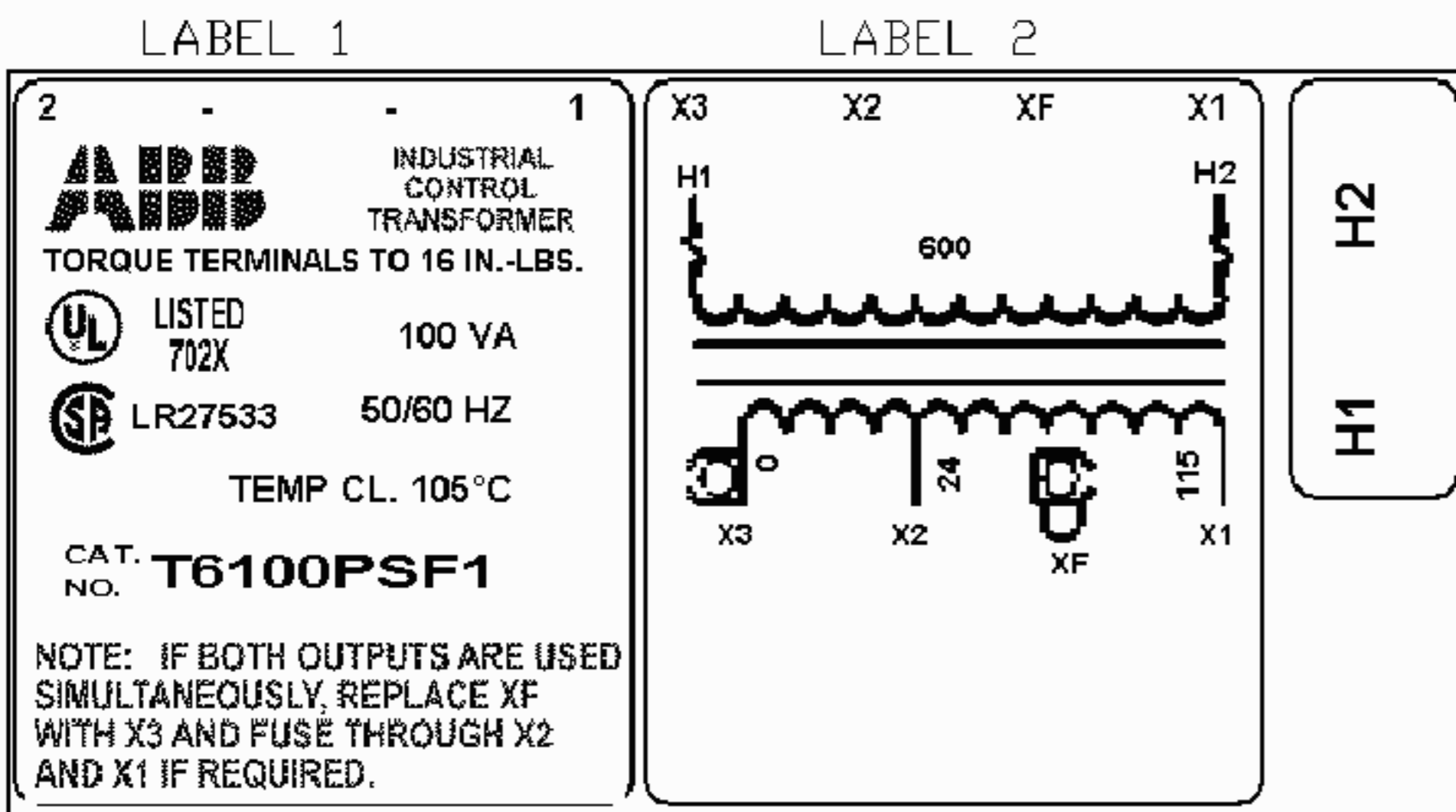
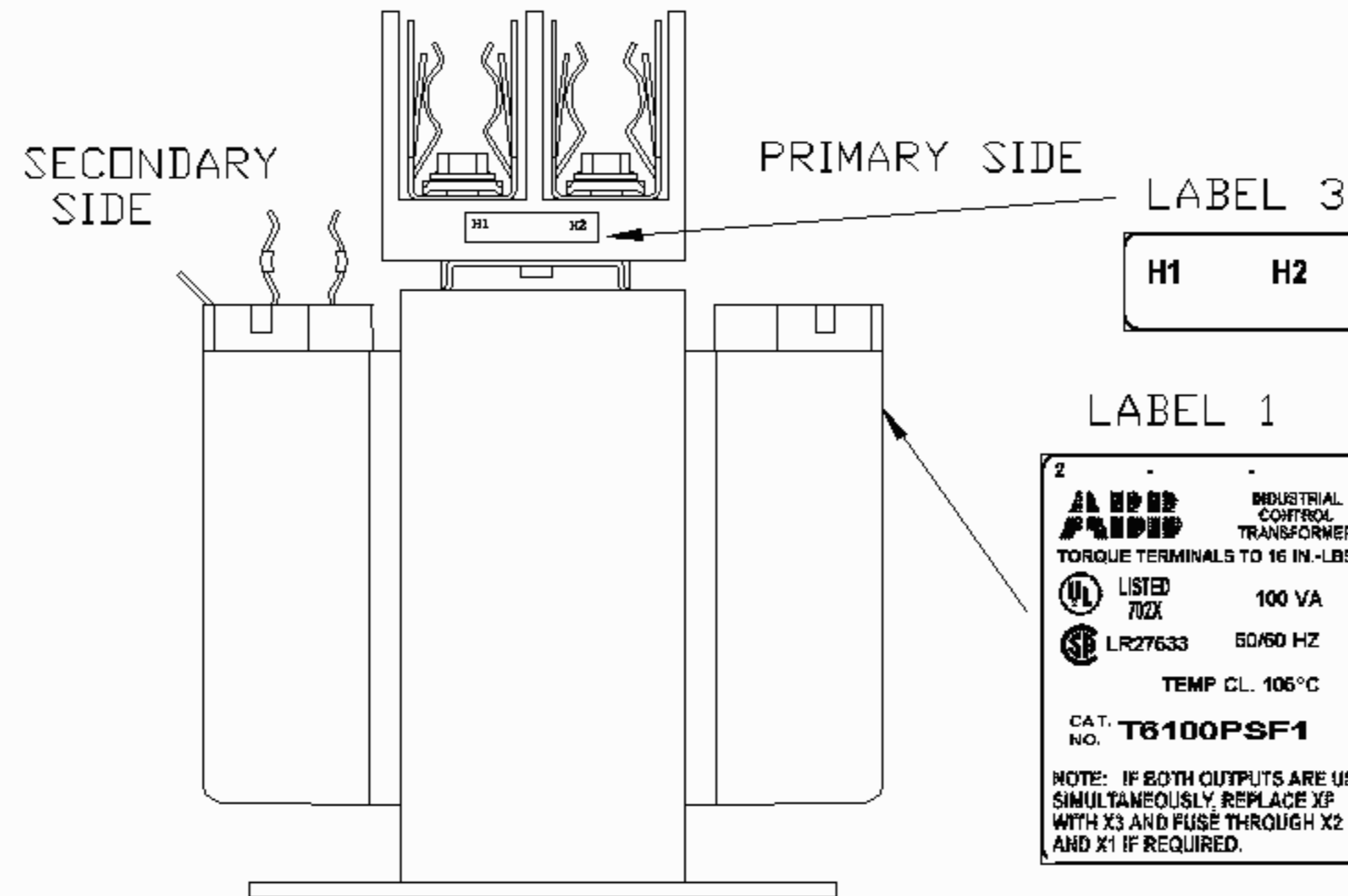
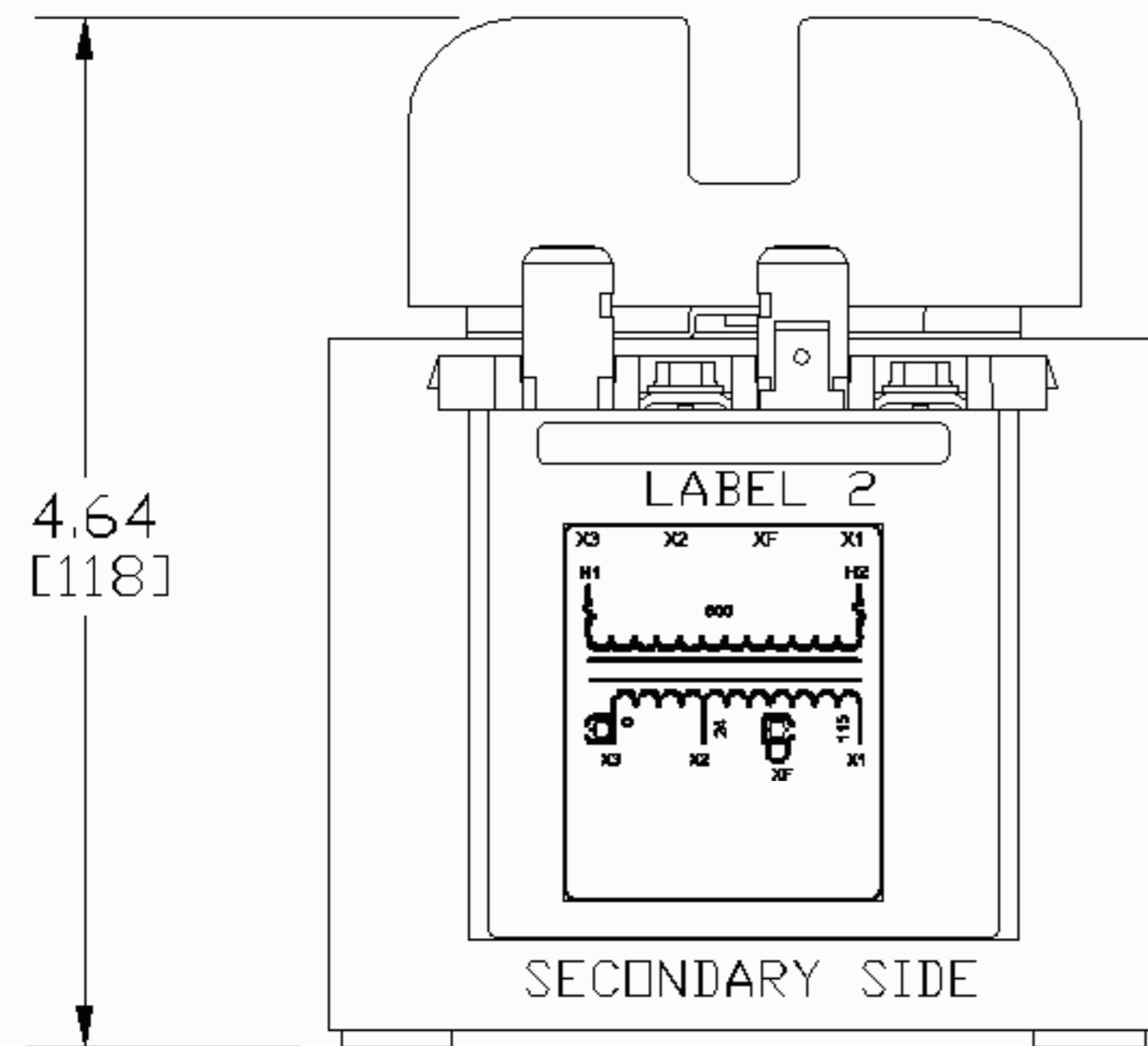
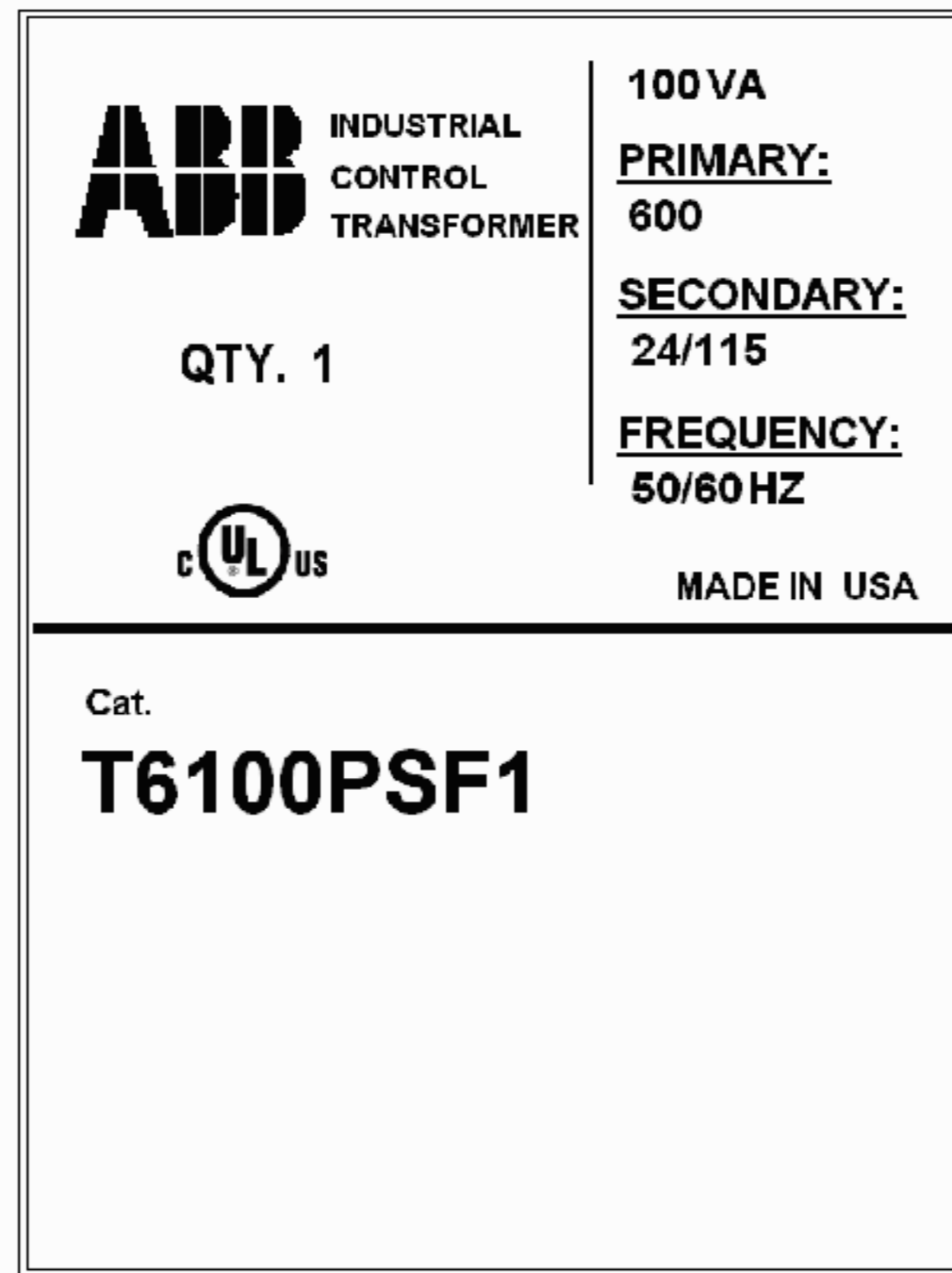


TERMINAL SCREWS ARE COMBINATION 10-32 PHIL-SLOT-1/4" HEX WITH SEMS WASHER

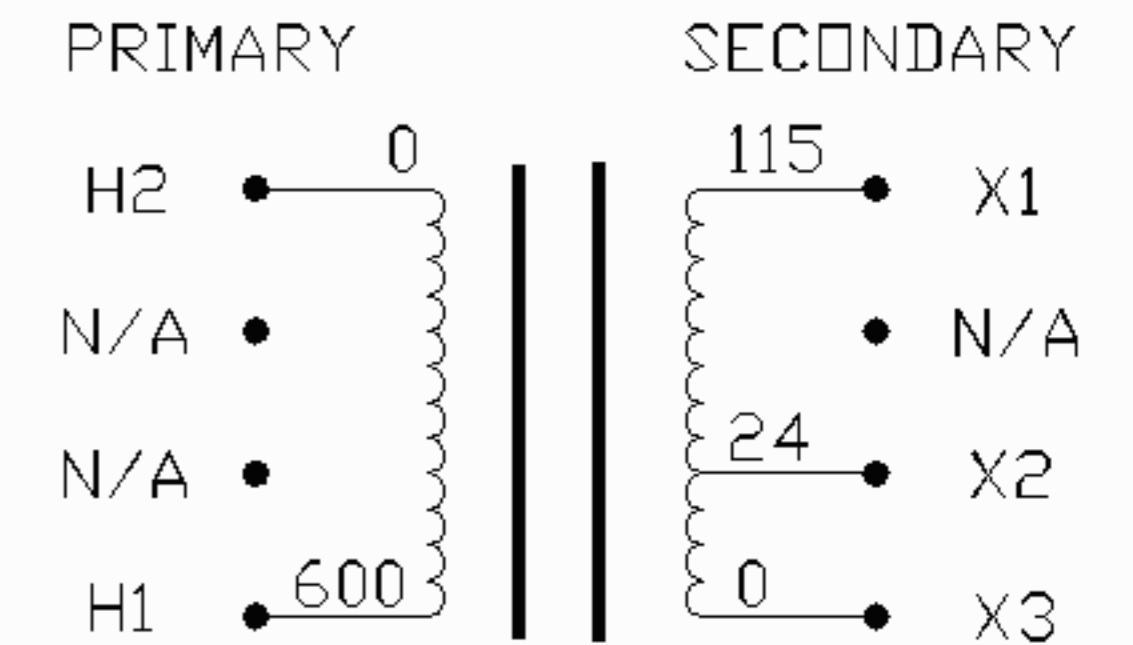


IND. BOX LABEL



Transformer Specifications

PRIMARY VOLTAGE(S)	600
SECONDARY VOLTAGE(S)	24/115
RATED V.A.	100
RATED FREQUENCY	50/60
INSULATION CLASS	105
AGENCY APPROVALS	UL, CSA
ESTIMATED WEIGHT	5.5 LBS



CONNECTION DIAGRAM

NOTE:
1. ALL MEASUREMENTS IN INCHES (MM)

PACKAGED ACCESSORIES	
1	
-	-
-	-

ABB

DATE	4/12/10	DRAWN	J.G.V	CHECKED		APPROVED	
RELEASE DATE							
1TQY200060X0012							
SIZE	C	SCALE	NONE	T6100PSF1			

ECL	REVISIONS	BY	DATE
	DRAWING UPDATED	J.V	12/17/13
A	REDRAW	J.V	4/12/10