

---

 TECHNICAL DATA SHEET

# ABB cable glands – BCG series

## Brass, general purpose cable glands



Nickel plated brass cable glands for general purpose use, OEM, industrial and commercial applications.

**Certifications / Standards:**

(Refer to tables for certifications details)




---

**Features & Benefits:**

- Low profile compact cable glands
- Wide cable clamping range
- Good corrosion resistance

---

**Applications:**

- General purpose
- Panel building
- Light fixture and housings
- Machine building
- Suitable for cable types:
  - Non-armoured
  - Portable
  - Tray

---

**Material:**

- Nickel plated brass construction
- Chloroprene seals

---

**Environmental ratings:**

**Working Temperature:**

- Normal use: -20 to +100°C (-4 to +212°F)
- Short term: -30 to +150°C (-22 to +302°F)

**Ingress protection:**

To ensure ingress protection, use suitable gasket and lock nut when required.

- IP66
- IP68 (5 bar 30 mins)
- NEMA 4

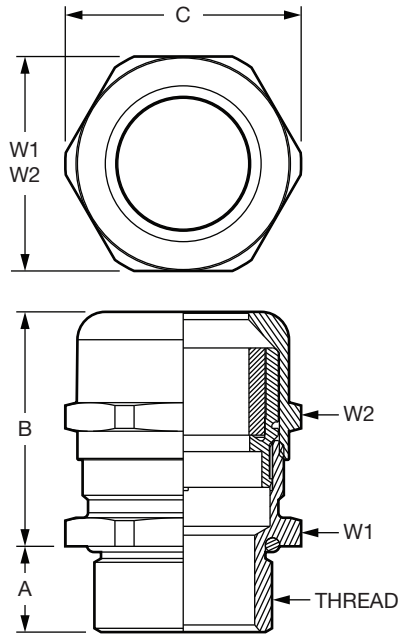
**Chemical resistance guide:**

- See publication TDS000081

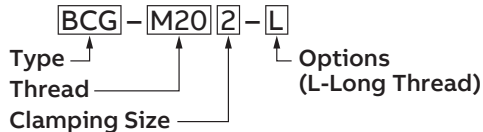
---

**Conforms to:**

- UL514B / CSA C22.2 No 18.3 (see table for details)
- EN 62444
- RoHS (Restriction of Hazardous Substances Directive) 2011/65/EU Incorporating 2015/863 amendment to Annex II
- WEEE (Waste Electrical & Electronic Equipment Directive) 2002/96/EC
- LVD (Low Voltage Directive) 2014/35/EU



### Part number information:



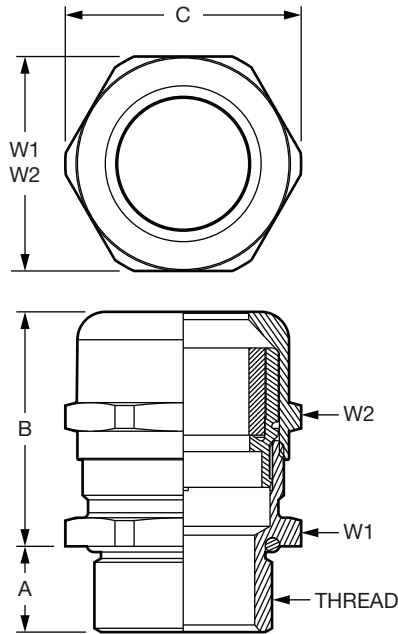
Brass Cable Gland 6-12mm  
M20X1.5 (12mmTL)

### Product selection

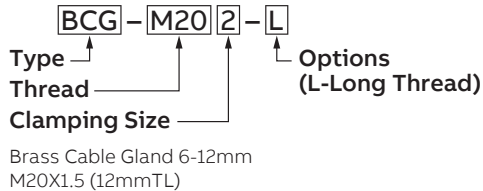
Part no:	Thread (metric)	Cable range			Nominal dimensions			
		Min	Max	A	B	C	W1	W2
BCG-M121	M12x1.5	<b>2.0</b>	<b>5.0</b>	<b>6.0</b>	<b>22.0</b>	<b>15.5</b>	<b>14.0</b>	<b>14.0</b>
		(0.079)	(0.197)	(0.236)	(0.866)	(0.61)	(0.551)	(0.551)
BCG-M121-L (cURus)	M12x1.5	<b>3.0</b>	<b>6.5</b>	<b>12.0</b>	<b>22.0</b>	<b>15.5</b>	<b>14.0</b>	<b>14.0</b>
		(0.118)	(0.256)	(0.472)	(0.866)	(0.61)	(0.551)	(0.551)
BCG-M122 (cURus)	M12x1.5	<b>3.0</b>	<b>6.5</b>	<b>6.0</b>	<b>22.0</b>	<b>15.5</b>	<b>14.0</b>	<b>14.0</b>
		(0.118)	(0.256)	(0.236)	(0.866)	(0.61)	(0.551)	(0.551)
BCG-M161	M16x1.5	<b>2.0</b>	<b>6.0</b>	<b>7.0</b>	<b>23.0</b>	<b>20.0</b>	<b>18.0</b>	<b>17.0</b>
		(0.079)	(0.236)	(0.276)	(0.906)	(0.787)	(0.709)	(0.669)
BCG-M161-L	M16x1.5	<b>2.0</b>	<b>6.0</b>	<b>12.0</b>	<b>23.0</b>	<b>20.0</b>	<b>18.0</b>	<b>17.0</b>
		(0.079)	(0.236)	(0.472)	(0.906)	(0.787)	(0.709)	(0.669)
BCG-M162 (cURus)	M16x1.5	<b>4.0</b>	<b>8.0</b>	<b>7.0</b>	<b>23.0</b>	<b>20.0</b>	<b>18.0</b>	<b>17.0</b>
		(0.157)	(0.315)	(0.276)	(0.906)	(0.787)	(0.709)	(0.669)
BCG-M162-L (cURus)	M16x1.5	<b>4.0</b>	<b>8.0</b>	<b>12.0</b>	<b>23.0</b>	<b>20.0</b>	<b>18.0</b>	<b>17.0</b>
		(0.157)	(0.315)	(0.472)	(0.906)	(0.787)	(0.709)	(0.669)
BCG-M163 (cURus)	M16x1.5	<b>5.0</b>	<b>10.0</b>	<b>7.0</b>	<b>28.5</b>	<b>22.0</b>	<b>20.0</b>	<b>20.0</b>
		(0.197)	(0.394)	(0.276)	(1.122)	(0.866)	(0.787)	(0.787)
BCG-M163-L (cURus)	M16x1.5	<b>5.0</b>	<b>10.0</b>	<b>12.0</b>	<b>28.5</b>	<b>22.0</b>	<b>20.0</b>	<b>20.0</b>
		(0.197)	(0.394)	(0.472)	(1.122)	(0.866)	(0.787)	(0.787)
BCG-M201	M20x1.5	<b>5.0</b>	<b>9.0</b>	<b>8.0</b>	<b>26.0</b>	<b>24.5</b>	<b>22.0</b>	<b>22.0</b>
		(0.197)	(0.354)	(0.315)	(1.024)	(0.965)	(0.866)	(0.866)
BCG-M201-L	M20x1.5	<b>5.0</b>	<b>9.0</b>	<b>12.0</b>	<b>26.0</b>	<b>24.5</b>	<b>22.0</b>	<b>22.0</b>
		(0.197)	(0.354)	(0.472)	(1.024)	(0.965)	(0.866)	(0.866)
BCG-M202 (cULus)	M20x1.5	<b>6.0</b>	<b>12.0</b>	<b>8.0</b>	<b>26.0</b>	<b>24.5</b>	<b>22.0</b>	<b>22.0</b>
		(0.236)	(0.472)	(0.315)	(1.024)	(0.965)	(0.866)	(0.866)
BCG-M202-L (cULus)	M20x1.5	<b>6.0</b>	<b>12.0</b>	<b>12.0</b>	<b>26.0</b>	<b>24.5</b>	<b>22.0</b>	<b>22.0</b>
		(0.236)	(0.472)	(0.472)	(1.024)	(0.965)	(0.866)	(0.866)
BCG-M203 (cULus)	M20x1.5	<b>10.0</b>	<b>14.0</b>	<b>8.0</b>	<b>28.0</b>	<b>26.8</b>	<b>24.0</b>	<b>24.0</b>
		(0.394)	(0.551)	(0.315)	(1.102)	(1.055)	(0.945)	(0.945)
BCG-M203-L (cULus)	M20x1.5	<b>10.0</b>	<b>14.0</b>	<b>12.0</b>	<b>28.0</b>	<b>26.8</b>	<b>24.0</b>	<b>24.0</b>
		(0.394)	(0.551)	(0.472)	(1.102)	(1.055)	(0.945)	(0.945)
BCG-M251	M25x1.5	<b>7.0</b>	<b>12.0</b>	<b>8.0</b>	<b>28.0</b>	<b>29.8</b>	<b>27.0</b>	<b>24.0</b>
		(0.276)	(0.472)	(0.315)	(1.102)	(1.173)	(1.063)	(0.945)
BCG-M251-L	M25x1.5	<b>7.0</b>	<b>12.0</b>	<b>12.0</b>	<b>28.0</b>	<b>29.8</b>	<b>27.0</b>	<b>24.0</b>
		(0.276)	(0.472)	(0.472)	(1.102)	(1.173)	(1.063)	(0.945)
BCG-M252	M25x1.5	<b>9.0</b>	<b>16.0</b>	<b>8.0</b>	<b>33.0</b>	<b>33.0</b>	<b>30.0</b>	<b>30.0</b>
		(0.354)	(0.63)	(0.315)	(1.299)	(1.299)	(1.181)	(1.181)
BCG-M252-L	M25x1.5	<b>9.0</b>	<b>16.0</b>	<b>12.0</b>	<b>33.0</b>	<b>33.0</b>	<b>30.0</b>	<b>30.0</b>
		(0.354)	(0.63)	(0.472)	(1.299)	(1.299)	(1.181)	(1.181)
BCG-M253 (cULus)	M25x1.5	<b>10.0</b>	<b>14.0</b>	<b>8.0</b>	<b>28.0</b>	<b>29.8</b>	<b>27.0</b>	<b>24.0</b>
		(0.394)	(0.551)	(0.315)	(1.102)	(1.173)	(1.063)	(0.945)
BCG-M253-L (cULus)	M25x1.5	<b>10.0</b>	<b>14.0</b>	<b>12.0</b>	<b>28.0</b>	<b>29.8</b>	<b>27.0</b>	<b>24.0</b>
		(0.394)	(0.551)	(0.472)	(1.102)	(1.173)	(1.063)	(0.945)
BCG-M254 (cULus)	M25x1.5	<b>13.0</b>	<b>18.0</b>	<b>8.0</b>	<b>33.0</b>	<b>32.0</b>	<b>30.0</b>	<b>30.0</b>
		(0.512)	(0.709)	(0.315)	(1.299)	(1.26)	(1.181)	(1.181)
BCG-M254-L (cULus)	M25x1.5	<b>13.0</b>	<b>18.0</b>	<b>12.0</b>	<b>33.0</b>	<b>32.0</b>	<b>30.0</b>	<b>30.0</b>
		(0.512)	(0.709)	(0.472)	(1.299)	(1.26)	(1.181)	(1.181)
BCG-M321	M32x1.5	<b>9.0</b>	<b>16.0</b>	<b>9.0</b>	<b>33.0</b>	<b>37.5</b>	<b>34.0</b>	<b>30.0</b>
		(0.354)	(0.63)	(0.354)	(1.299)	(1.476)	(1.339)	(1.181)

Bold numbers are metric, parenthesis numbers are inches.

Note: Product must be installed in accordance with applicable national and local electrical codes.



### Part number information:

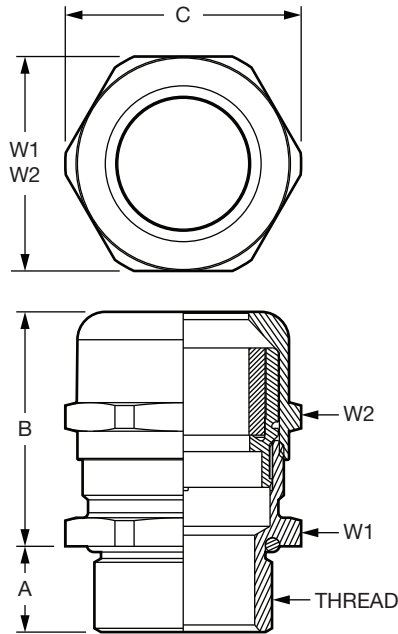


### Product selection

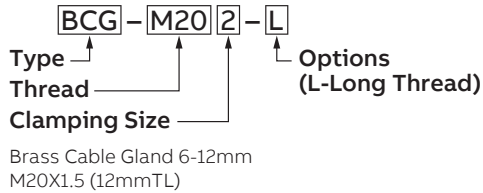
Part no:	Thread (metric)	Cable range			Nominal dimensions			
		Min	Max	A	B	C	W1	W2
BCG-M321-L	M32x1.5	<b>9.0</b>	<b>16.0</b>	<b>15.0</b>	<b>33.0</b>	<b>37.5</b>	<b>34.0</b>	<b>30.0</b>
		(0.354)	(0.63)	(0.591)	(1.299)	(1.476)	(1.339)	(1.181)
BCG-M322	M32x1.5	<b>12.0</b>	<b>20.0</b>	<b>9.0</b>	<b>44.0</b>	<b>44.5</b>	<b>40.0</b>	<b>40.0</b>
		(0.472)	(0.787)	(0.354)	(1.732)	(1.752)	(1.575)	(1.575)
BCG-M322-L	M32x1.5	<b>12.0</b>	<b>20.0</b>	<b>15.0</b>	<b>44.0</b>	<b>44.5</b>	<b>40.0</b>	<b>40.0</b>
		(0.472)	(0.787)	(0.591)	(1.732)	(1.752)	(1.575)	(1.575)
BCG-M323 (cULus)	M32x1.5	<b>13.0</b>	<b>18.0</b>	<b>9.0</b>	<b>33.0</b>	<b>37.5</b>	<b>34.0</b>	<b>30.0</b>
		(0.512)	(0.709)	(0.354)	(1.299)	(1.476)	(1.339)	(1.181)
BCG-M323-L (cULus)	M32x1.5	<b>13.0</b>	<b>18.0</b>	<b>15.0</b>	<b>33.0</b>	<b>37.5</b>	<b>34.0</b>	<b>30.0</b>
		(0.512)	(0.709)	(0.591)	(1.299)	(1.476)	(1.339)	(1.181)
BCG-M324 (cULus)	M32x1.5	<b>15.0</b>	<b>21.0</b>	<b>8.0</b>	<b>36.0</b>	<b>37.0</b>	<b>34.0</b>	<b>34.0</b>
		(0.591)	(0.827)	(0.315)	(1.417)	(1.457)	(1.339)	(1.339)
BCG-M324-L (cULus)	M32x1.5	<b>15.0</b>	<b>21.0</b>	<b>15.0</b>	<b>36.0</b>	<b>37.0</b>	<b>34.0</b>	<b>34.0</b>
		(0.591)	(0.827)	(0.591)	(1.417)	(1.457)	(1.339)	(1.339)
BCG-M325 (cULus)	M32x1.5	<b>18.0</b>	<b>25.0</b>	<b>9.0</b>	<b>44.0</b>	<b>44.5</b>	<b>40.0</b>	<b>40.0</b>
		(0.709)	(0.984)	(0.354)	(1.732)	(1.752)	(1.575)	(1.575)
BCG-M325-L (cULus)	M32x1.5	<b>18.0</b>	<b>25.0</b>	<b>15.0</b>	<b>44.0</b>	<b>44.5</b>	<b>40.0</b>	<b>40.0</b>
		(0.709)	(0.984)	(0.591)	(1.732)	(1.752)	(1.575)	(1.575)
BCG-M401	M40x1.5	<b>12.0</b>	<b>20.0</b>	<b>9.0</b>	<b>38.5</b>	<b>48.5</b>	<b>43.0</b>	<b>40.0</b>
		(0.472)	(0.787)	(0.354)	(1.516)	(1.909)	(1.693)	(1.575)
BCG-M401-L	M40x1.5	<b>12.0</b>	<b>20.0</b>	<b>15.0</b>	<b>38.5</b>	<b>48.5</b>	<b>43.0</b>	<b>40.0</b>
		(0.472)	(0.787)	(0.591)	(1.516)	(1.909)	(1.693)	(1.575)
BCG-M402	M40x1.5	<b>16.0</b>	<b>23.0</b>	<b>9.0</b>	<b>43.5</b>	<b>48.4</b>	<b>43.0</b>	<b>43.0</b>
		(0.63)	(0.906)	(0.354)	(1.713)	(1.906)	(1.693)	(1.693)
BCG-M402-L	M40x1.5	<b>16.0</b>	<b>23.0</b>	<b>15.0</b>	<b>43.5</b>	<b>48.4</b>	<b>43.0</b>	<b>43.0</b>
		(0.63)	(0.906)	(0.591)	(1.713)	(1.906)	(1.693)	(1.693)
BCG-M403 (cULus)	M40x1.5	<b>19.0</b>	<b>28.0</b>	<b>9.0</b>	<b>43.5</b>	<b>48.4</b>	<b>43.0</b>	<b>43.0</b>
		(0.748)	(1.102)	(0.354)	(1.713)	(1.906)	(1.693)	(1.693)
BCG-M403-L (cULus)	M40x1.5	<b>19.0</b>	<b>28.0</b>	<b>15.0</b>	<b>43.5</b>	<b>48.4</b>	<b>43.0</b>	<b>43.0</b>
		(0.748)	(1.102)	(0.591)	(1.713)	(1.906)	(1.693)	(1.693)
BCG-M404 (cULus)	M40x1.5	<b>22.0</b>	<b>32.0</b>	<b>9.0</b>	<b>52.5</b>	<b>55.5</b>	<b>50.0</b>	<b>50.0</b>
		(0.866)	(1.26)	(0.354)	(2.067)	(2.185)	(1.969)	(1.969)
BCG-M404-L (cULus)	M40x1.5	<b>22.0</b>	<b>32.0</b>	<b>15.0</b>	<b>52.5</b>	<b>55.5</b>	<b>50.0</b>	<b>50.0</b>
		(0.866)	(1.26)	(0.591)	(2.067)	(2.185)	(1.969)	(1.969)
BCG-M501	M50x1.5	<b>20.0</b>	<b>26.0</b>	<b>9.0</b>	<b>48.0</b>	<b>61.0</b>	<b>55.0</b>	<b>50.0</b>
		(0.787)	(1.024)	(0.354)	(1.89)	(2.402)	(2.165)	(1.969)
BCG-M501-L	M50x1.5	<b>20.0</b>	<b>26.0</b>	<b>15.0</b>	<b>48.0</b>	<b>61.0</b>	<b>55.0</b>	<b>50.0</b>
		(0.787)	(1.024)	(0.591)	(1.89)	(2.402)	(2.165)	(1.969)
BCG-M502 (cULus)	M50x1.5	<b>22.0</b>	<b>32.0</b>	<b>9.0</b>	<b>48.0</b>	<b>61.0</b>	<b>55.0</b>	<b>50.0</b>
		(0.866)	(1.26)	(0.354)	(1.89)	(2.402)	(2.165)	(1.969)
BCG-M502-L (cULus)	M50x1.5	<b>22.0</b>	<b>32.0</b>	<b>15.0</b>	<b>48.0</b>	<b>61.0</b>	<b>55.0</b>	<b>50.0</b>
		(0.866)	(1.26)	(0.591)	(1.89)	(2.402)	(2.165)	(1.969)
BCG-M503 (cULus)	M50x1.5	<b>27.0</b>	<b>38.0</b>	<b>9.0</b>	<b>52.0</b>	<b>64.0</b>	<b>58.0</b>	<b>58.0</b>
		(1.063)	(1.496)	(0.354)	(2.047)	(2.52)	(2.283)	(2.283)
BCG-M503-L (cULus)	M50x1.5	<b>27.0</b>	<b>38.0</b>	<b>15.0</b>	<b>52.0</b>	<b>64.0</b>	<b>58.0</b>	<b>58.0</b>
		(1.063)	(1.496)	(0.591)	(2.047)	(2.52)	(2.283)	(2.283)
BCG-M504 (cULus)	M50x1.5	<b>34.0</b>	<b>44.0</b>	<b>9.0</b>	<b>52.8</b>	<b>75.0</b>	<b>64.0</b>	<b>64.0</b>
		(1.339)	(1.732)	(0.354)	(2.079)	(2.953)	(2.520)	(2.520)

Bold numbers are metric, parenthesis numbers are inches.

Note: Product must be installed in accordance with applicable national and local electrical codes.



### Part number information:



### Product selection

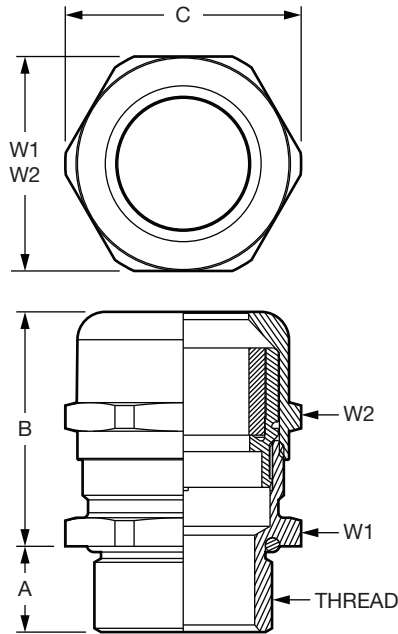
Part no:	Thread (metric)	Cable range		Nominal dimensions					
		Min	Max	A	B	C	W1	W2	
BCG-M504-L (cULus)	M50x1.5	<b>34.0</b>	<b>44.0</b>	<b>15.0</b>	<b>52.8</b>	<b>75.0</b>	<b>64.0</b>	<b>64.0</b>	(1.339) (1.732) (0.591) (2.079) (2.953) (2.520) (2.520)
BCG-M631	M63x1.5	<b>29.0</b>	<b>35.0</b>	<b>10.0</b>	<b>54.0</b>	<b>75.0</b>	<b>68.0</b>	<b>64.0</b>	(1.142) (1.378) (0.394) (2.126) (2.953) (2.677) (2.520)
BCG-M631-L	M63x1.5	<b>29.0</b>	<b>35.0</b>	<b>18.0</b>	<b>54.0</b>	<b>75.0</b>	<b>68.0</b>	<b>64.0</b>	(1.142) (1.378) (0.709) (2.126) (2.953) (2.677) (2.520)
BCG-M632 (cULus)	M63x1.5	<b>34.0</b>	<b>44.0</b>	<b>10.0</b>	<b>54.0</b>	<b>75.0</b>	<b>68.0</b>	<b>64.0</b>	(1.339) (1.732) (0.394) (2.126) (2.953) (2.677) (2.520)
BCG-M632-L (cULus)	M63x1.5	<b>34.0</b>	<b>44.0</b>	<b>18.0</b>	<b>53.0</b>	<b>75.0</b>	<b>68.0</b>	<b>64.0</b>	(1.339) (1.732) (0.709) (2.087) (2.953) (2.677) (2.520)
BCG-M633 (cULus)	M63x1.5	<b>37.0</b>	<b>53.0</b>	<b>10.0</b>	<b>51.0</b>	<b>83.0</b>	<b>75.0</b>	<b>75.0</b>	(1.457) (2.087) (0.394) (2.008) (3.268) (2.953) (2.953)
BCG-M633-L (cULus)	M63x1.5	<b>37.0</b>	<b>53.0</b>	<b>18.0</b>	<b>51.0</b>	<b>83.0</b>	<b>75.0</b>	<b>75.0</b>	(1.457) (2.087) (0.709) (2.008) (3.268) (2.953) (2.953)

### Product selection

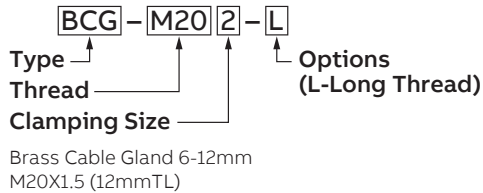
Part no:	Thread (NPT)	Cable range		Nominal dimensions					
		Min	Max	A	B	C	W1	W2	
BCG-0381	3/8"	<b>2.0</b>	<b>6.0</b>	<b>11.5</b>	<b>23.5</b>	<b>21.0</b>	<b>19.0</b>	<b>17.0</b>	(0.079) (0.236) (0.453) (0.925) (0.827) (0.748) (0.669)
BCG-0382 (cURus)	3/8"	<b>5.0</b>	<b>10.0</b>	<b>11.5</b>	<b>29.5</b>	<b>22.0</b>	<b>20.0</b>	<b>20.0</b>	(0.197) (0.394) (0.453) (1.161) (0.866) (0.787) (0.787)
BCG-0501	1/2"	<b>5.0</b>	<b>9.0</b>	<b>13.0</b>	<b>25.5</b>	<b>24.5</b>	<b>22.0</b>	<b>22.0</b>	(0.197) (0.354) (0.512) (1.004) (0.965) (0.866) (0.866)
BCG-0502 (cULus)	1/2"	<b>6.0</b>	<b>12.0</b>	<b>13.0</b>	<b>25.5</b>	<b>24.5</b>	<b>22.0</b>	<b>22.0</b>	(0.236) (0.472) (0.512) (1.004) (0.965) (0.866) (0.866)
BCG-0503 (cULus)	1/2"	<b>10.0</b>	<b>14.0</b>	<b>13.0</b>	<b>28.0</b>	<b>26.8</b>	<b>24.0</b>	<b>24.0</b>	(0.394) (0.551) (0.512) (1.102) (1.055) (0.945) (0.945)
BCG-0751	3/4"	<b>9.0</b>	<b>16.0</b>	<b>13.0</b>	<b>36.0</b>	<b>33.0</b>	<b>30.0</b>	<b>30.0</b>	(0.354) (0.63) (0.512) (1.417) (1.299) (1.181) (1.181)
BCG-0752 (cULus)	3/4"	<b>13.0</b>	<b>18.0</b>	<b>13.0</b>	<b>36.0</b>	<b>33.0</b>	<b>30.0</b>	<b>30.0</b>	(0.512) (0.709) (0.512) (1.417) (1.299) (1.181) (1.181)
BCG-1001	1"	<b>12.0</b>	<b>20.0</b>	<b>13.0</b>	<b>43.0</b>	<b>48.5</b>	<b>43.0</b>	<b>40.0</b>	(0.472) (0.787) (0.512) (1.693) (1.909) (1.693) (1.575)
BCG-1002 (cULus)	1"	<b>18.0</b>	<b>25.0</b>	<b>13.0</b>	<b>43.0</b>	<b>48.5</b>	<b>43.0</b>	<b>40.0</b>	(0.709) (0.984) (0.512) (1.693) (1.909) (1.693) (1.575)

Bold numbers are metric, parenthesis numbers are inches.

Note: Product must be installed in accordance with applicable national and local electrical codes.



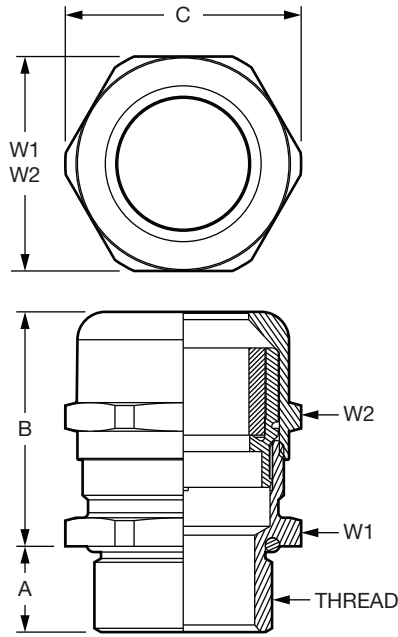
### Part number information:



Product selection								
Part no:	Thread (PG)	Cable range			Nominal dimensions			
		Min	Max	A	B	C	W1	W2
BCG-PG71	PG07	<b>2.0</b>	<b>5.0</b>	<b>6.0</b>	<b>22.0</b>	<b>15.5</b>	<b>14.0</b>	<b>14.0</b>
		(0.079)	(0.197)	(0.236)	(0.866)	(0.61)	(0.551)	(0.551)
BCG-PG71-L	PG07	<b>2.0</b>	<b>5.0</b>	<b>10.0</b>	<b>22.0</b>	<b>15.5</b>	<b>14.0</b>	<b>14.0</b>
		(0.079)	(0.197)	(0.394)	(0.866)	(0.61)	(0.551)	(0.551)
BCG-PG72 (cURus)	PG07	<b>3.0</b>	<b>6.5</b>	<b>6.0</b>	<b>22.0</b>	<b>15.5</b>	<b>14.0</b>	<b>14.0</b>
		(0.118)	(0.256)	(0.236)	(0.866)	(0.61)	(0.551)	(0.551)
BCG-PG72-L (cURus)	PG07	<b>3.0</b>	<b>6.5</b>	<b>10.0</b>	<b>22.0</b>	<b>15.5</b>	<b>14.0</b>	<b>14.0</b>
		(0.118)	(0.256)	(0.394)	(0.866)	(0.61)	(0.551)	(0.551)
BCG-PG91	PG09	<b>2.0</b>	<b>6.0</b>	<b>6.0</b>	<b>23.5</b>	<b>18.9</b>	<b>17.0</b>	<b>17.0</b>
		(0.079)	(0.236)	(0.236)	(0.925)	(0.744)	(0.669)	(0.669)
BCG-PG91-L	PG09	<b>2.0</b>	<b>6.0</b>	<b>10.0</b>	<b>23.5</b>	<b>18.9</b>	<b>17.0</b>	<b>17.0</b>
		(0.079)	(0.236)	(0.394)	(0.925)	(0.744)	(0.669)	(0.669)
BCG-PG92 (cURus)	PG09	<b>4.0</b>	<b>8.0</b>	<b>6.0</b>	<b>23.5</b>	<b>18.9</b>	<b>17.0</b>	<b>17.0</b>
		(0.157)	(0.315)	(0.236)	(0.925)	(0.744)	(0.669)	(0.669)
BCG-PG92-L (cURus)	PG09	<b>4.0</b>	<b>8.0</b>	<b>10.0</b>	<b>23.5</b>	<b>18.9</b>	<b>17.0</b>	<b>17.0</b>
		(0.157)	(0.315)	(0.394)	(0.925)	(0.744)	(0.669)	(0.669)
BCG-PG111	PG11	<b>3.0</b>	<b>7.0</b>	<b>6.0</b>	<b>26.0</b>	<b>22.0</b>	<b>20.0</b>	<b>20.0</b>
		(0.118)	(0.276)	(0.236)	(1.024)	(0.866)	(0.787)	(0.787)
BCG-PG111-L	PG11	<b>3.0</b>	<b>7.0</b>	<b>10.0</b>	<b>26.0</b>	<b>22.0</b>	<b>20.0</b>	<b>20.0</b>
		(0.118)	(0.276)	(0.394)	(1.024)	(0.866)	(0.787)	(0.787)
BCG-PG112 (cURus)	PG11	<b>5.0</b>	<b>10.0</b>	<b>6.0</b>	<b>26.0</b>	<b>22.0</b>	<b>20.0</b>	<b>20.0</b>
		(0.197)	(0.394)	(0.236)	(1.024)	(0.866)	(0.787)	(0.787)
BCG-PG112-L (cURus)	PG11	<b>5.0</b>	<b>10.0</b>	<b>10.0</b>	<b>26.0</b>	<b>22.0</b>	<b>20.0</b>	<b>20.0</b>
		(0.197)	(0.394)	(0.394)	(1.024)	(0.866)	(0.787)	(0.787)
BCG-PG131	PG13.5	<b>5.0</b>	<b>9.0</b>	<b>6.5</b>	<b>24.5</b>	<b>24.5</b>	<b>22.0</b>	<b>22.0</b>
		(0.197)	(0.354)	(0.256)	(0.965)	(0.965)	(0.866)	(0.866)
BCG-PG131-L	PG13.5	<b>5.0</b>	<b>9.0</b>	<b>10.0</b>	<b>24.5</b>	<b>24.5</b>	<b>22.0</b>	<b>22.0</b>
		(0.197)	(0.354)	(0.394)	(0.965)	(0.965)	(0.866)	(0.866)
BCG-PG132 (cULus)	PG13.5	<b>6.0</b>	<b>12.0</b>	<b>6.5</b>	<b>24.5</b>	<b>24.5</b>	<b>22.0</b>	<b>22.0</b>
		(0.236)	(0.472)	(0.256)	(0.965)	(0.965)	(0.866)	(0.866)
BCG-PG132-L (cULus)	PG13.5	<b>6.0</b>	<b>12.0</b>	<b>10.0</b>	<b>24.5</b>	<b>24.5</b>	<b>22.0</b>	<b>22.0</b>
		(0.236)	(0.472)	(0.394)	(0.965)	(0.965)	(0.866)	(0.866)
BCG-PG161	PG16	<b>7.0</b>	<b>12.0</b>	<b>6.5</b>	<b>28.0</b>	<b>26.5</b>	<b>24.0</b>	<b>24.0</b>
		(0.276)	(0.472)	(0.256)	(1.102)	(1.043)	(0.945)	(0.945)
BCG-PG161-L	PG16	<b>7.0</b>	<b>12.0</b>	<b>10.0</b>	<b>28.0</b>	<b>26.5</b>	<b>24.0</b>	<b>24.0</b>
		(0.276)	(0.472)	(0.394)	(1.102)	(1.043)	(0.945)	(0.945)
BCG-PG162 (cULus)	PG16	<b>10.0</b>	<b>14.0</b>	<b>6.5</b>	<b>28.0</b>	<b>26.5</b>	<b>24.0</b>	<b>24.0</b>
		(0.394)	(0.551)	(0.256)	(1.102)	(1.043)	(0.945)	(0.945)
BCG-PG162-L (cULus)	PG16	<b>10.0</b>	<b>14.0</b>	<b>10.0</b>	<b>28.0</b>	<b>26.5</b>	<b>24.0</b>	<b>24.0</b>
		(0.394)	(0.551)	(0.394)	(1.102)	(1.043)	(0.945)	(0.945)
BCG-PG211	PG21	<b>9.0</b>	<b>16.0</b>	<b>7.2</b>	<b>33.0</b>	<b>33.0</b>	<b>30.0</b>	<b>30.0</b>
		(0.354)	(0.63)	(0.283)	(1.299)	(1.299)	(1.181)	(1.181)
BCG-PG211-L	PG21	<b>9.0</b>	<b>16.0</b>	<b>12.0</b>	<b>33.0</b>	<b>33.0</b>	<b>30.0</b>	<b>30.0</b>
		(0.354)	(0.63)	(0.472)	(1.299)	(1.299)	(1.181)	(1.181)
BCG-PG212 (cULus)	PG21	<b>13.0</b>	<b>18.0</b>	<b>7.2</b>	<b>33.0</b>	<b>33.0</b>	<b>30.0</b>	<b>30.0</b>
		(0.512)	(0.709)	(0.283)	(1.299)	(1.299)	(1.181)	(1.181)
BCG-PG212-L (cULus)	PG21	<b>13.0</b>	<b>18.0</b>	<b>12.0</b>	<b>33.0</b>	<b>33.0</b>	<b>30.0</b>	<b>30.0</b>
		(0.512)	(0.709)	(0.472)	(1.299)	(1.299)	(1.181)	(1.181)

Bold numbers are metric, parenthesis numbers are inches.

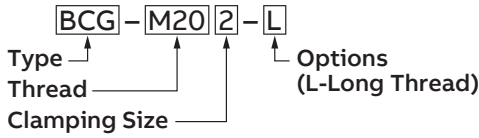
Note: Product must be installed in accordance with applicable national and local electrical codes.



Product selection								
Part no:	Thread (PG)	Cable range			Nominal dimensions			
		Min	Max	A	B	C	W1	W2
BCG-PG291	PG29	<b>12.0</b>	<b>20.0</b>	<b>8.0</b>	<b>38.5</b>	<b>44.5</b>	<b>40.0</b>	<b>40.0</b>
		(0.472)	(0.787)	(0.315)	(1.516)	(1.752)	(1.575)	(1.575)
BCG-PG291-L	PG29	<b>12.0</b>	<b>20.0</b>	<b>12.0</b>	<b>38.5</b>	<b>44.5</b>	<b>40.0</b>	<b>40.0</b>
		(0.472)	(0.787)	(0.472)	(1.516)	(1.752)	(1.575)	(1.575)
BCG-PG292 (cULus)	PG29	<b>18.0</b>	<b>25.0</b>	<b>8.0</b>	<b>38.5</b>	<b>44.5</b>	<b>40.0</b>	<b>40.0</b>
		(0.709)	(0.984)	(0.315)	(1.516)	(1.752)	(1.575)	(1.575)
BCG-PG292-L (cULus)	PG29	<b>18.0</b>	<b>25.0</b>	<b>12.0</b>	<b>38.5</b>	<b>44.5</b>	<b>40.0</b>	<b>40.0</b>
		(0.709)	(0.984)	(0.472)	(1.516)	(1.752)	(1.575)	(1.575)
BCG-PG361	PG36	<b>20.0</b>	<b>26.0</b>	<b>9.0</b>	<b>48.0</b>	<b>55.5</b>	<b>50.0</b>	<b>50.0</b>
		(0.787)	(1.024)	(0.354)	(1.89)	(2.185)	(1.969)	(1.969)
BCG-PG361-L	PG36	<b>20.0</b>	<b>26.0</b>	<b>14.0</b>	<b>48.0</b>	<b>55.5</b>	<b>50.0</b>	<b>50.0</b>
		(0.787)	(1.024)	(0.551)	(1.89)	(2.185)	(1.969)	(1.969)
BCG-PG362 (cULus)	PG36	<b>22.0</b>	<b>32.0</b>	<b>9.0</b>	<b>48.0</b>	<b>55.5</b>	<b>50.0</b>	<b>50.0</b>
		(0.866)	(1.26)	(0.354)	(1.89)	(2.185)	(1.969)	(1.969)
BCG-PG362-L (cULus)	PG36	<b>22.0</b>	<b>32.0</b>	<b>14.0</b>	<b>48.0</b>	<b>55.5</b>	<b>50.0</b>	<b>50.0</b>
		(0.866)	(1.26)	(0.551)	(1.89)	(2.185)	(1.969)	(1.969)
BCG-PG421	PG42	<b>25.0</b>	<b>31.0</b>	<b>12.0</b>	<b>49.0</b>	<b>64.0</b>	<b>58.0</b>	<b>58.0</b>
		(0.984)	(1.22)	(0.472)	(1.929)	(2.52)	(2.283)	(2.283)
BCG-PG421-L	PG42	<b>25.0</b>	<b>31.0</b>	<b>16.0</b>	<b>49.0</b>	<b>64.0</b>	<b>58.0</b>	<b>58.0</b>
		(0.984)	(1.22)	(0.63)	(1.929)	(2.52)	(2.283)	(2.283)
BCG-PG422 (cULus)	PG42	<b>30.0</b>	<b>38.0</b>	<b>12.0</b>	<b>49.0</b>	<b>64.0</b>	<b>58.0</b>	<b>58.0</b>
		(1.181)	(1.496)	(0.472)	(1.929)	(2.52)	(2.283)	(2.283)
BCG-PG422-L (cULus)	PG42	<b>30.0</b>	<b>38.0</b>	<b>16.0</b>	<b>49.0</b>	<b>64.0</b>	<b>58.0</b>	<b>58.0</b>
		(1.181)	(1.496)	(0.63)	(1.929)	(2.52)	(2.283)	(2.283)
BCG-PG481	PG48	<b>29.0</b>	<b>35.0</b>	<b>14.0</b>	<b>52.5</b>	<b>70.0</b>	<b>64.0</b>	<b>64.0</b>
		(1.142)	(1.378)	(0.551)	(2.067)	(2.756)	(2.52)	(2.52)
BCG-PG481-L	PG48	<b>29.0</b>	<b>35.0</b>	<b>18.0</b>	<b>52.5</b>	<b>70.0</b>	<b>64.0</b>	<b>64.0</b>
		(1.142)	(1.378)	(0.709)	(2.067)	(2.756)	(2.52)	(2.52)
BCG-PG482 (cULus)	PG48	<b>34.0</b>	<b>44.0</b>	<b>14.0</b>	<b>52.5</b>	<b>70.0</b>	<b>64.0</b>	<b>64.0</b>
		(1.339)	(1.732)	(0.551)	(2.067)	(2.756)	(2.52)	(2.52)
BCG-PG482-L (cULus)	PG48	<b>34.0</b>	<b>44.0</b>	<b>18.0</b>	<b>52.5</b>	<b>70.0</b>	<b>64.0</b>	<b>64.0</b>
		(1.339)	(1.732)	(0.709)	(2.067)	(2.756)	(2.52)	(2.52)

Bold numbers are metric, parenthesis numbers are inches.  
 Note: Product must be installed in accordance with applicable national and local electrical codes.

Part number information:



Brass Cable Gland 6-12mm  
 M20X1.5 (12mmTL)

ABB Inc.  
 Electrification products  
 Memphis, Tennessee  
 USA

We reserve the right to make technical changes or modify the contents of this document without prior notice. With regard to purchase orders, the agreed particulars shall prevail. ABB Inc. does not accept any responsibility whatsoever for potential errors or possible lack of information in this document.

We reserve all rights in this document and in the subject matter and illustrations contained therein. Any reproduction, disclosure to third parties or utilization of its contents – in whole or in parts – is forbidden without prior written consent of ABB Inc. Copyright© 2017 ABB Inc. All rights reserved.

