

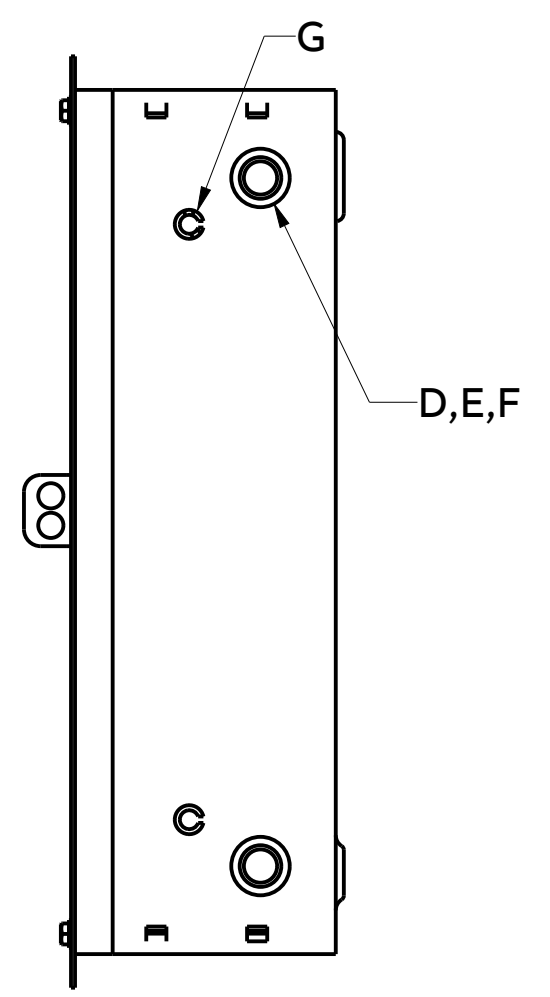
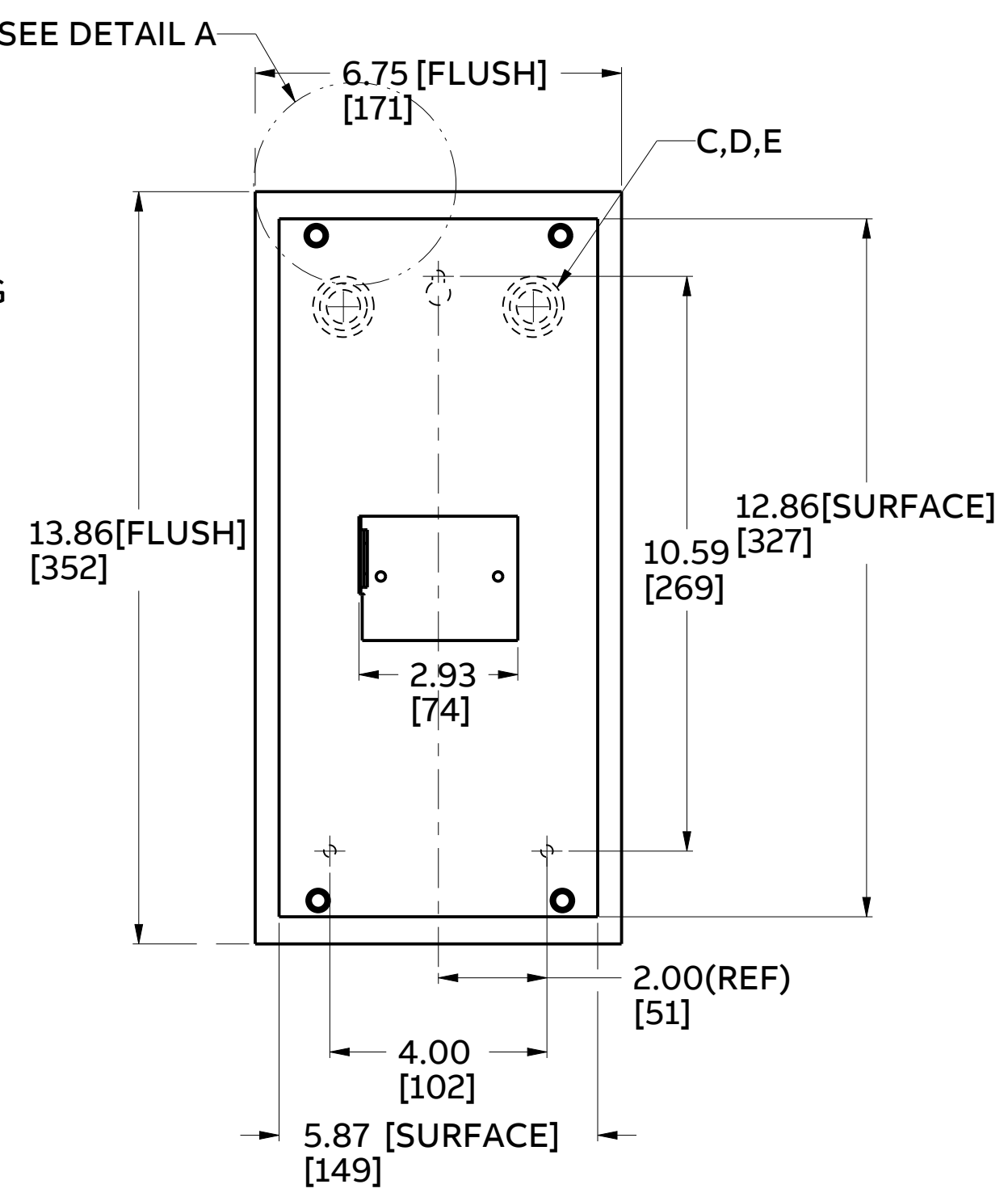
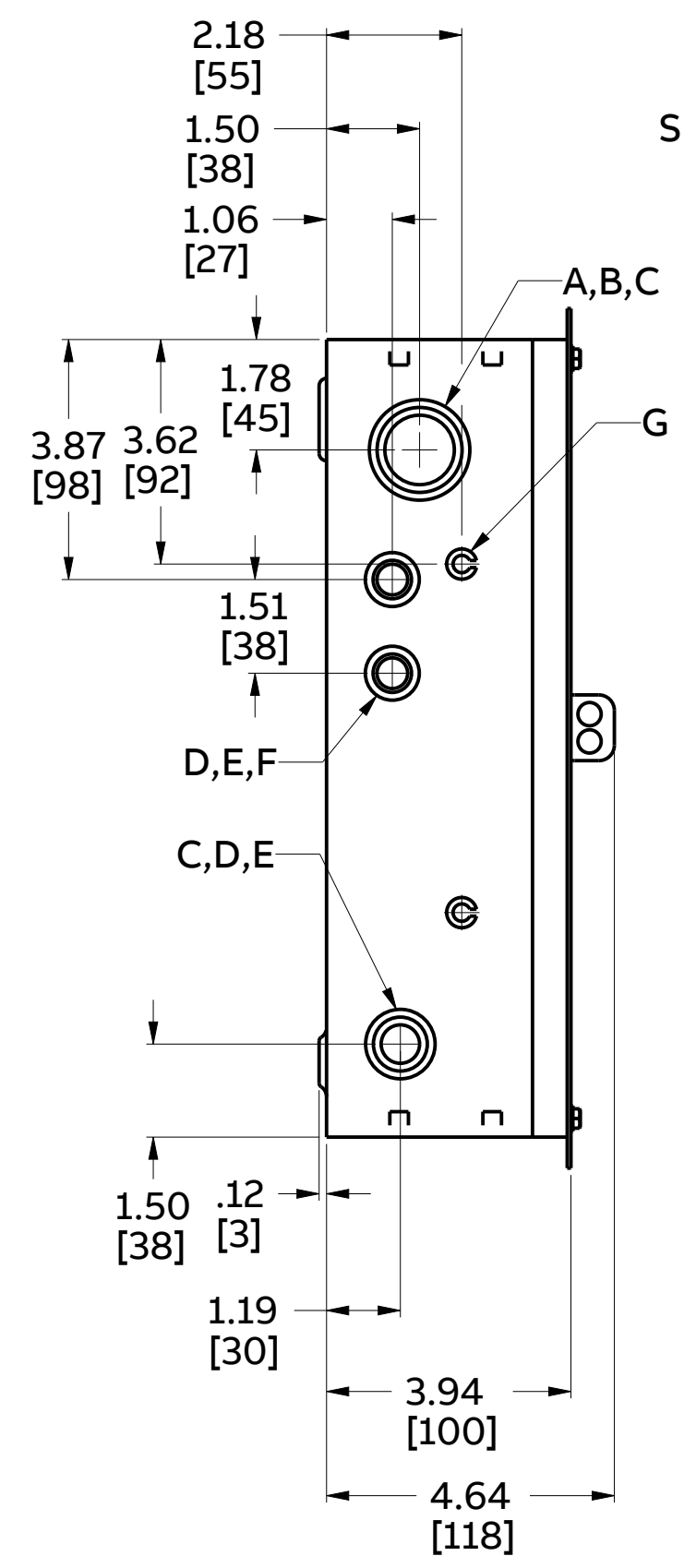
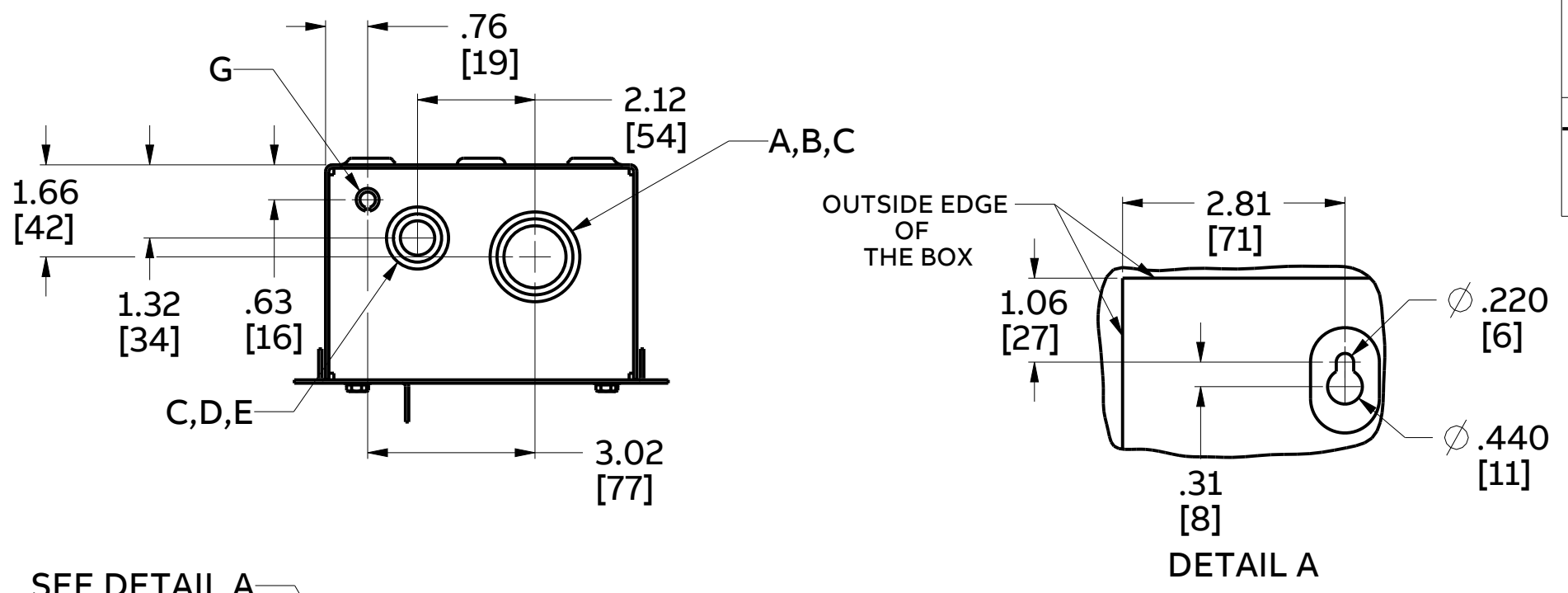
14

13

12

11

CIRCUIT BREAKER TERMINAL LUG DATA			
CIRCUIT BREAKER CAT NO. PREFIX	AMPERE RATING	LUG TYPE	WIRE SIZE (AWG/KCMIL)
THQL,THHQL,THQL	15-25A	INCLUDED	(1)#14-8 CU/(1)#12-8 AL
	30-60A	INCLUDED	(1)#8-3 CU-AL
THQL-GF,TQLY60	70A	INCLUDED	(1)#6-1/0 CU/ (1)#4-1/0 AL



FIELD INSTALLABLE NEUTRAL ASSEMBLY AND GROUND KIT			
CAT NO. PREFIX	TYPE	AMPERE RATING	WIRE SIZE (AWG/KCMIL)
TGL1	GND KIT	70-125A	(4) #14-8 CU-AL (3) #14-4 CU-AL
INCLUDED	NEUTRAL ASM	100A	(1) #14-2 CU (1) #12-2 AL

SYMBOLS	CONDUIT SIZE		DIAMETER	
	IN	MM	IN	MM
A	1 1/2	38	2	51
B	1 1/4	32	1 3/4	45
C	1	25	1 3/8	35
D	3/4	19	1 1/8	29
E	1/2	13	7/8	22
F	3/8	9	3/8	9
G	9/32	7	9/32	7

FOR USE 15-70A ABB TYPE
THQL,THHQL,THQL
THQL-GF & TQLY60 DEVICES

- NOTES:
1. MATERIAL: LOW CARBON STEEL
 2. FINISH: ELECTROCOAT ENAMEL, GRAY
 3. AGENCY APPROVAL: cULus LISTED -FILE E11592
 4. SUITABLE FOR USE AS SERVICE EQUIPMENT WHEN NEUTRAL ASSEMBLY IS INSTALLED
 5. THE SHORT CIRCUIT RATING OF THIS ENCLOSED CIRCUIT BREAKER IS EQUAL TO THE INTERRUPTING RATING, AT THE SUPPLY VOLTAGE MARKED ON THE CIRCUIT BREAKER INSTALLED
 6. CONSULT BUYLOG FOR ALTERNATIVE LUGS

DUAL DIMENSIONS INCHES
[MILLIMETERS]

ABB

OUTLINE DRAWING - NEMA TYPE 1 ENCLOSURE
TQL70F, TQL70S

THIRD ANGLE	SHEET#	DWG NO.	DATE	REV
	1 of 1	208C2817SH1	05-Feb-23	D

14

13

12

11