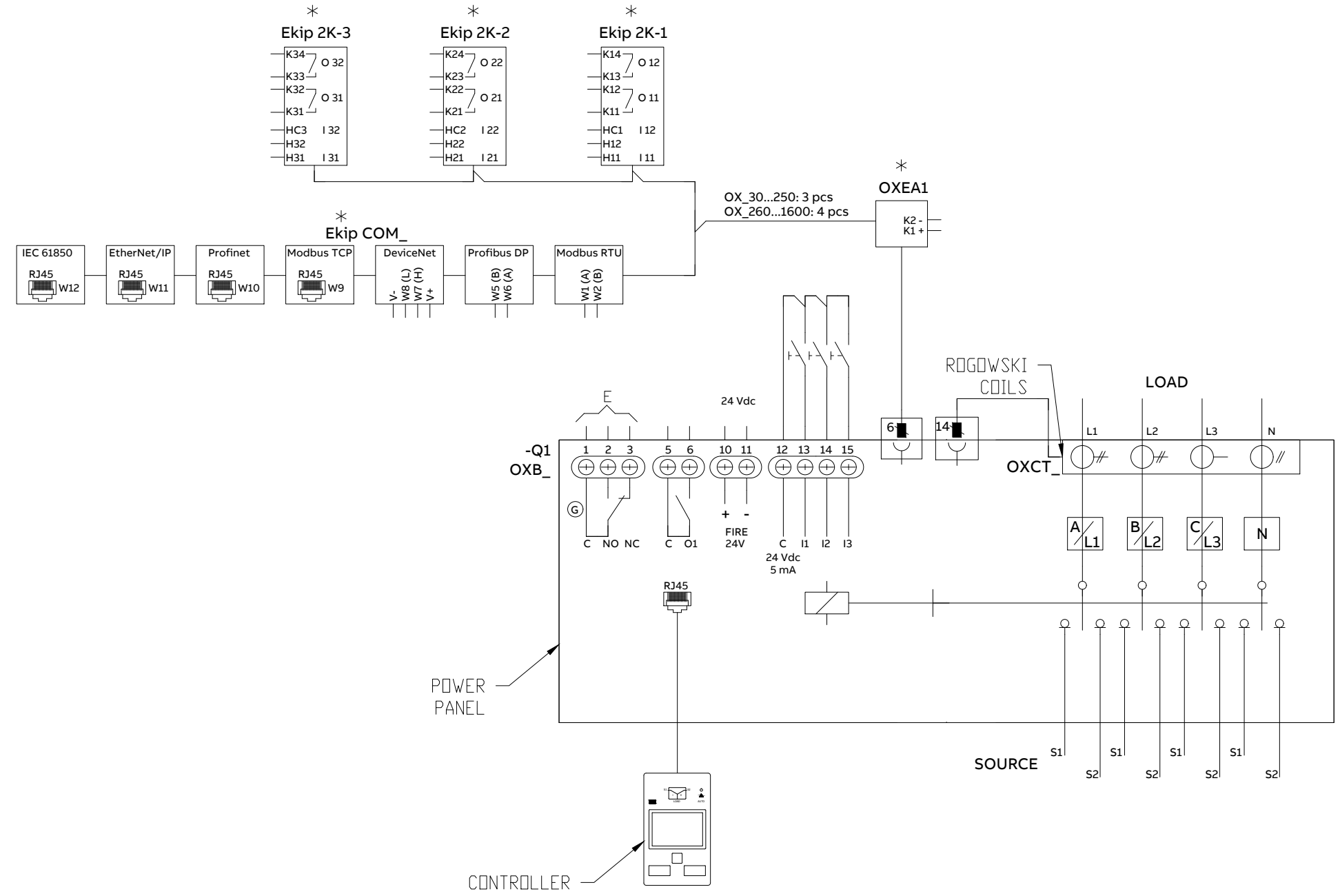
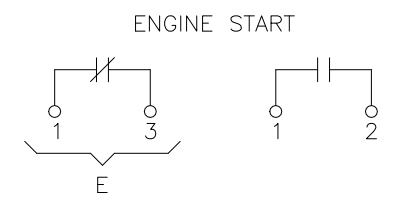


Article or Material Must Conform to REACH Procedure S19000000_Sec.14
 Article or Material Must Conform to RoHS Procedure S19000000_Sec.13
 Part Must Conform to S19000000_Sec.4 Toxicity Procedure
 Geometric Dimensioning & Tolerancing as per ASME Y14.5-2009

ABB PROPRIETARY AND CONFIDENTIAL INFORMATION
 The information contained in this document has to be kept strictly confidential.
 Any unauthorized use, reproduction, distribution or disclosure to third parties is strictly forbidden.
 ABB reserves all rights regarding intellectual Property Rights.
 Copyright 2018 ABB. All rights reserved

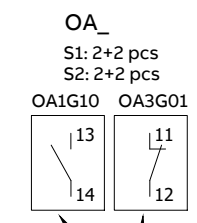


CUSTOMER CONNECTIONS



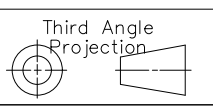
CONTACT	RATING
E	5 AMP @ 240 VAC 5 AMP @ 30 VDC
OA1G10 (N.O.)	6 AMP @ 125, 250 VAC
OA3G01 (N.C.)	6 AMP @ 125, 250 VAC
Ekip Module (2K-1, 2, 3)	4 AMP @ 240 VAC 2 AMP @ 30 VDC

INTERCONNECT PLUG DIAGRAM



AUX CONTACTS (OPTIONAL)
 LOCATE RIGHT SIDE OF PANEL

- NOTES:
1. ATS SHOWN IN SOURCE 1 POSITION WITH NO POWER AVAILABLE.
 2. REFER TO OPERATION AND MAINTENANCE MANUAL TO CONFIGURE THE OPTIONS.
 3. # OF N.O. CONTACTS ON POWER PANEL WILL BE DIFFERENT BASED ON THE SWITCH AMPERAGE. REVIEW THE PRODUCT BROCHURE FOR THE DETAILS.



LEGEND		NOTES	
* OPTIONAL			
DRAWING FILE	77A-2004	MODEL FILE	77A-2004
DATE MODIFIED	19-Nov-2020	DESIGNED BY	---
Calculated for:	CN# C104374	APPROVED BY	---
VOLUME	0.000 in ³	TITLE DELAY TRANSITION ATS SCHEMATIC FOR 30-1200A ZTSD PRODUCT	
MASS	0.000 lbm	UNASSIGNED	
UNLESS OTHERWISE SPECIFIED	MATERIAL DESCRIPTION	FINISH SPECIFICATION	---
TOLERANCE ON:	FINISH DESCRIPTION	---	---
1 PL DECIMALS ± 0.1		UNITS	in
2 PL DECIMALS ± 0.02		SCALE	1:1
3 PL DECIMALS ± 0.005		ROOT NUMBER	77A-2004
ANGLES ± 1.0		REV	1
		RELEASE STATE	RELEASED
		PRODUCT LINE	ZTSD
		SHEET	1 of 1



CUST