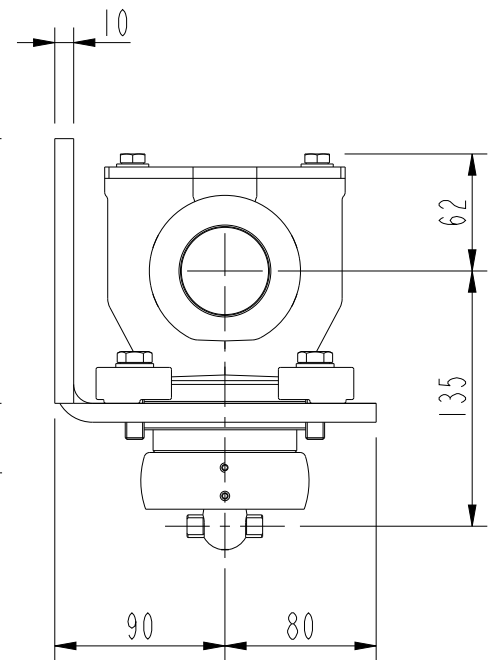
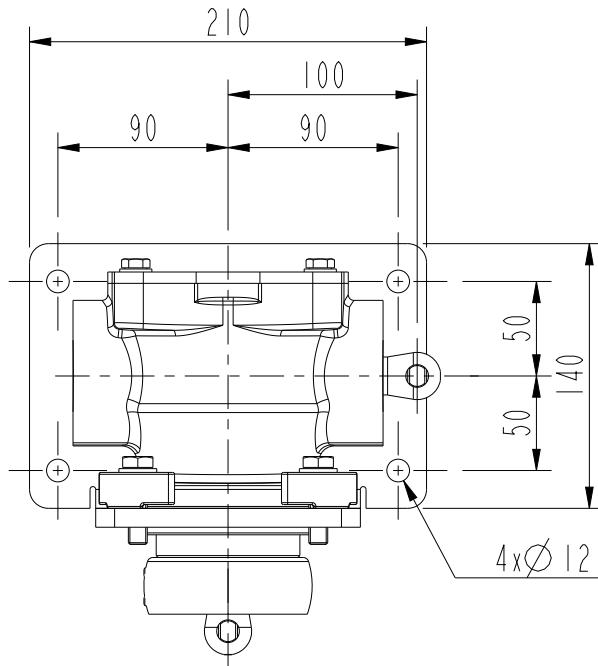
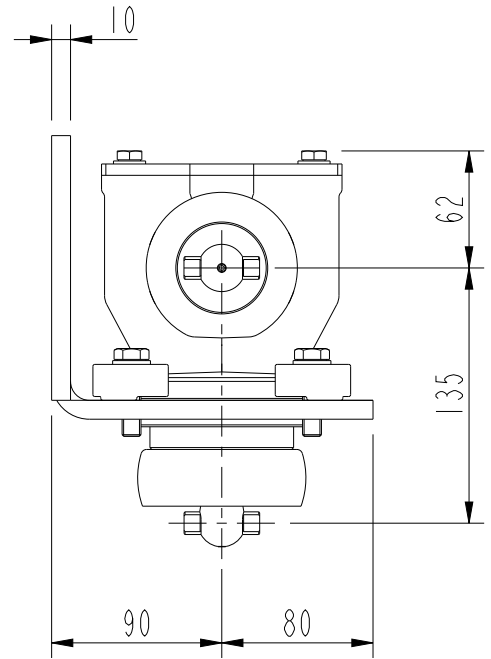
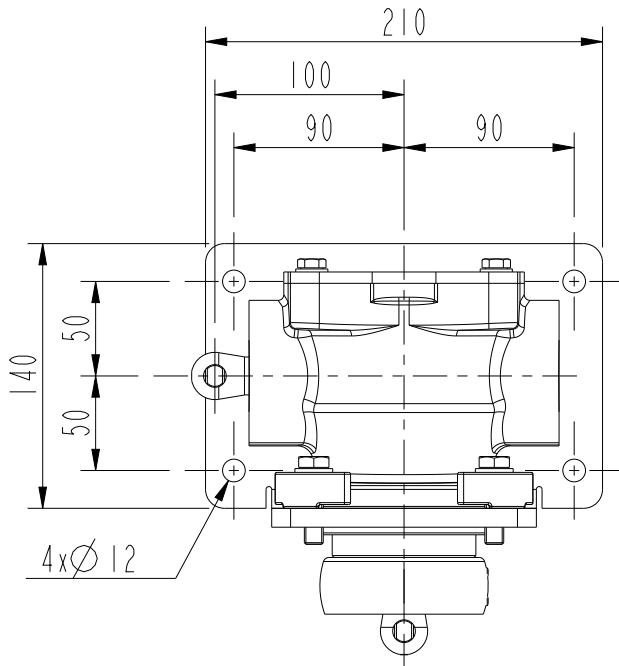




This document is issued by means of a computerized system. The digitally stored original is electronically approved. The approved document has a date entered in the 'Approved'-field. A manual signature is not required.



The information contained in this document has to kept strictly confidential. Any unauthorized use, reproduction, distribution or disclosure to third parties are strictly forbidden. ABB reserves all rights regarding Intellectual Property Rights. © Copyright 2013 ABB. All rights reserved.

Prepared	Tomas Axelsson	2013-10-22	Responsible department	PPCO/TK	Title	Gear	
Modified by	Tomas Axelsson	2015-01-08	Take over department				
Approved by	Swen Mattsson	2015-01-08	Used in product		Order	Växel	Sheet no.
Revision	A				Document no.	5492999-11	No. Shts.
							(1)