

PRODUCT BROCHURE

Elastimold® PCJ™ power cable joints

Versatile cable splicing.
Years of rugged performance.

 elastimold®



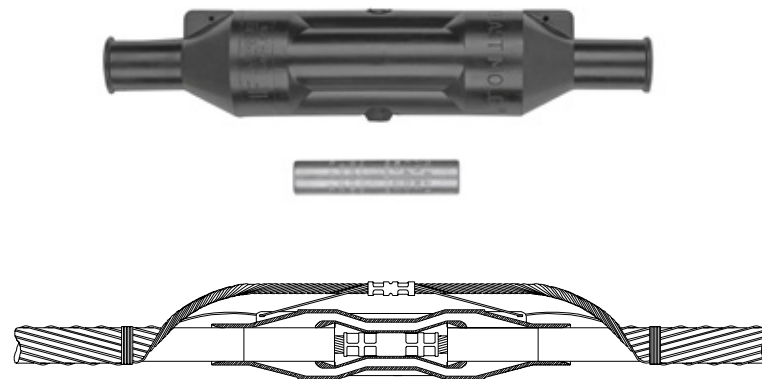
Elastimold® PCJ™ power cable joints

Permanently crimped connectors inside ethylene propylene diene monomer (EPDM) rubber housings deliver proven reliability.

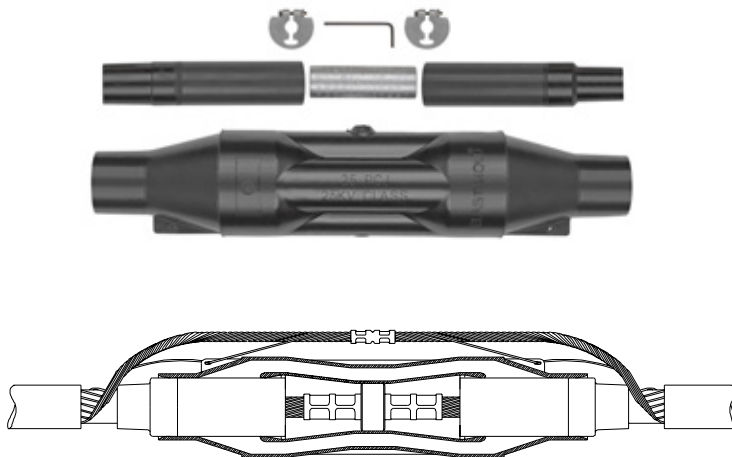
Incorporating more than 30 years of field-proven reliability, Elastimold PCJ power cable joints give you options for straight splicing of two similar cables or transition splicing of different cable sizes — up to 1250 kcmil.

—
01 PCJ style 1
With single-piece housing

—
02 PCJ style 2
With universal housing
and separate cable
adapters that can
be varied with the
cable application



—
01



—
02

Whether you need to join cable runs in new installations or repair broken cables in existing installations, PCJ power cable joints provide the versatility, reliability and safety you expect from Elastimold underground cable accessories. They provide a permanent, fully shielded, fully submersible splice that can be installed in direct-burial, underground vault and even overhead applications.

—
Versatile

- Available in 15, 25 and 35 kV classes
- Use with copper or aluminum conductors — wide range of sizes up to 1250 kcmil
- Two styles cover a variety of splicing applications
 - Style 1 for straight splicing of two similar cables
 - Style 2 includes separate cable adapters to allow for transition splicing between two different cable sizes
- Designed for use with UD cable with concentric neutral and extruded insulation shielding
- Works equally well with fabric-tape shielded or lead-jacketed cables when used with the proper Elastimold cable shield adapter or grounding device
- Cable entrance engages the insulation shielding of the cable, eliminating the need for taping

—
Reliable

- Pre-molded rubber housing offers exceptional protection, extended shelf life compared to cold-shrink splices and long-lasting service life in harsh environments
- Molded conductive insert prevents entrapped air from being subjected to electrical stress, helping to ensure a stress-free electrical connection
- Pin-and-socket interlock withstands pull force up to 500 lb.
- Assembled and 100% factory tested in Albuquerque, New Mexico, USA

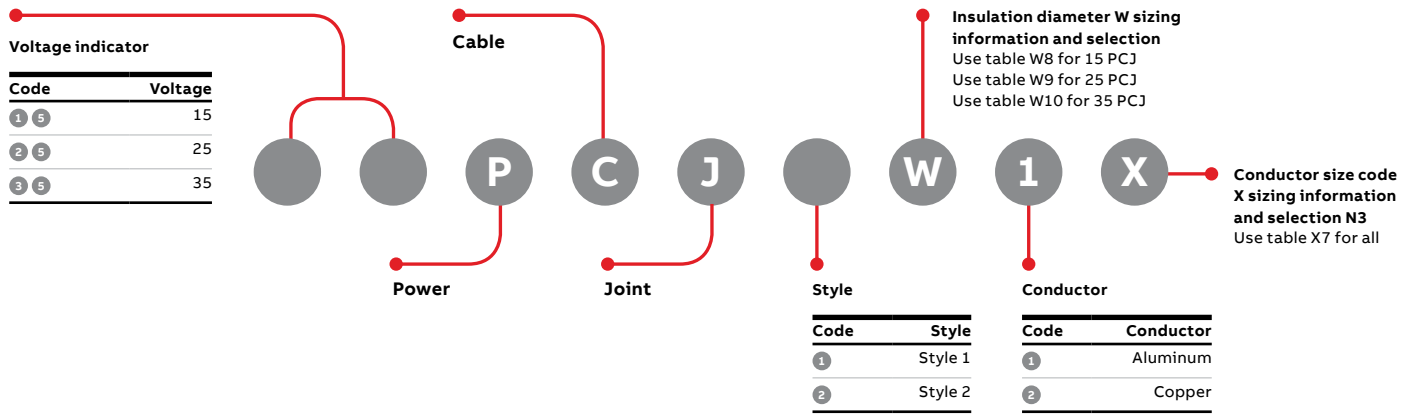
—
Safe

- Molded conductive shield provides a virtually unbreakable ground shield for true dead-front construction
- Grounding eye provides a convenient point to connect ground wire to molded conductive shield, placing the molded shield at ground potential
- Shield design meets IEEE 592 standard; connectors meet ANSI 119.4 Class A and Class 3 ratings

—
Electrical ratings (meets IEEE 404, latest revision)

	15 kV class	25 kV class	35 kV class
Phase-to-ground voltage (kV)	8.7	14.4	20.2
BIL impulse withstand, 1.2 x 50 μsec. wave (kV)	110	150	300
Corona extinction voltage, 3 pC sensitivity (kV)	13	22	30
DC withstand during installation (kV)	56	80	100
DC withstand, first 5 years post-installation with XLPE insulated cables (kV)	18	25	31
DC withstand, first 5 years post-installation with EPR insulated cables (kV)	45	64	80
AC withstand at 60 Hz for 1 minute (kV)	35	52	69
Cyclic aging, 30 days at indicated voltage, continuous load current for 8 hrs./day at 130 °F conductor temperature (kV AC)	26	43	61
Continuous current rating	Equal to that of cable rating		
Short-time current rating	Equal to that of cable rating up to 35 kA		

Ordering information



Tables W8, W9, W10 and X7

Applicable cat. no. use for following products	Cable insulation diameter in inches		Symbol for W
	Min.	Max.	
Table W8			
15PCJ-1	0.640	0.820	F
15PCJ-2	0.760	0.950	G
	0.850	1.050	H
	0.980	1.180	J
	1.090	1.310	K
	1.180	1.465	L
	1.280	1.430	LM
	1.370	1.630	M
	1.515	1.780	N
	1.725	1.935	P
	1.900	2.120	Q

Applicable cat. no. use for following products	Cable insulation diameter in inches		Symbol for X
	Min.	Max.	
Table W9			
25PCJ-1	0.760	0.950	G
25PCJ-2	0.850	1.050	H
755/756LR	0.980	1.180	J
755/756LINK	1.090	1.310	K
755/756ETP	1.180	1.465	L
755/756LRTP	1.180	1.465	L
755/756BI-LINK	1.370	1.630	M
755CA/CK/TCK	1.370	1.630	M
	1.515	1.780	N
	1.725	1.935	P
	1.900	2.120	Q
	2.115	2.235	R

Applicable cat. no. use for following products	Cable insulation diameter in inches		Symbol for W
	Min.	Max.	
Table W10			
35PCJ-1	0.850	1.050	H
35PCJ-2	0.980	1.180	J
	1.090	1.310	K
	1.180	1.465	L
	1.370	1.630	M
	1.515	1.780	N
	1.725	1.935	P
	1.900	2.120	Q

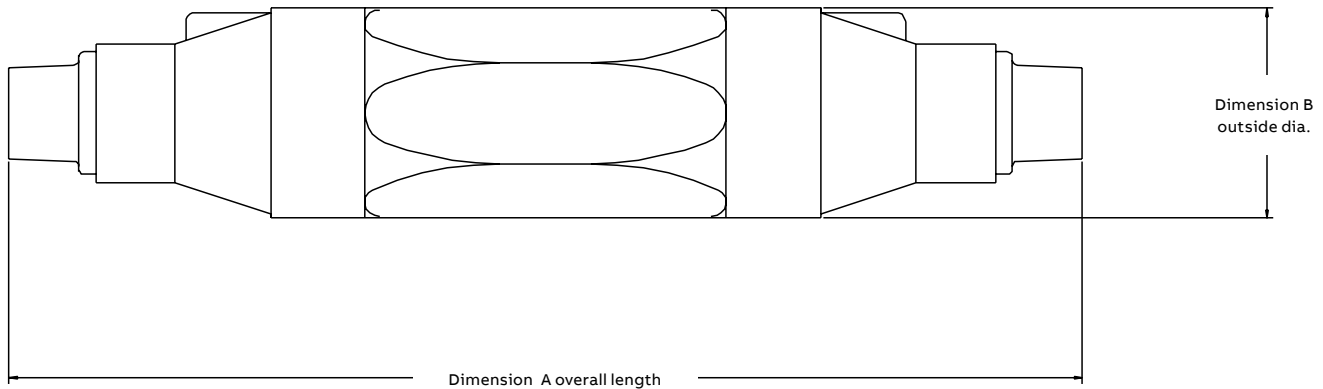
Applicable cat. no. use for following products	Conductor size AWG or kcmil	Symbol for X	
		Strand./compr.	Compt./solid.
Table X7			
15PCJ1	#2	220	210
25PCJ1	#1	230	220
35PCJ1	#1	230	220
15PCJ2	1/0	240	230
25PCJ2	2/0	250	240
35PCJ2	3/0	260	250
	4/0	270	260
	250	280	270
	350	300	290
	500	330	310
	750	380	360
	1000	410	400
	1250	440	420

PCJ power cable joints

Description	Voltage class (kV)	Cat. no.	Notes
Power cable joint Style 1	15	15PCJ1W1X	N1
	15	15PCJ1W2X	N2
	25	25PCJ1W1X	N1
	25	25PCJ1W2X	N2
	35	35PCJ1W1X	N1
	35	35PCJ1W2X	N2
Power cable joint Style 2	15	15PCJ2W1X	N1
	15	15PCJ2W2X	N2
	25	25PCJ2W1X	N1
	25	25PCJ2W2X	N2
	35	35PCJ2W1X	N1
	35	35PCJ2W2X	N2

- N1.** Kit includes aluminum compression connector suitable for splicing aluminum conductor to aluminum conductor or aluminum conductor to copper conductor. An all-copper connector is required for copper-to-copper connections.
- N2.** Kit includes copper compression connector suitable for splicing copper conductors to copper conductor only. DO NOT use copper connectors on aluminum conductors.
- N3.** When constructing a catalog number for a transition (two different-size cables) joint, list the larger connector first and the smaller connector second.

Dimensions



Dimensional data

Style 1 Cat. no.	A inches	B inches
15PCJ1FX	10 ³ / ₄	1 ³ / ₄
15PCJ1GX	10 ³ / ₄	1 ³ / ₄
25PCJ1GX	14 ³ / ₈	2 ⁷ / ₁₆
15/25/35PCJ1HX	14 ³ / ₈	2 ⁷ / ₁₆
15/25/35PCJ1JX	14 ³ / ₈	2 ⁷ / ₁₆
15/25/35PCJ1KX	14 ³ / ₈	2 ²⁵ / ₃₂
15/25/35PCJ1LX	14 ³ / ₈	2 ²⁵ / ₃₂
15/25PCJ1LMX	14 ³ / ₈	2 ²⁵ / ₃₂
15/25/35PCJ1MX	14 ³ / ₈	2 ²⁵ / ₃₂
15/25/35PCJ1NX	15 ³ / ₄	3 ³ / ₁₆
15/25/35PCJ1PX	15 ³ / ₄	3 ³ / ₁₆
15/25/35PCJ1QX	15 ³ / ₄	3 ³ / ₁₆

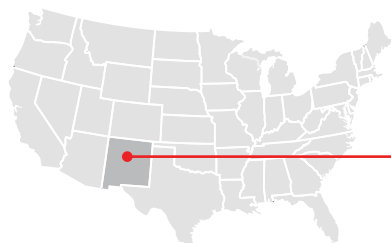
Dimensional data

Style 2 Cat. no.	A inches	B inches
15PCJ2FX	16 ³ / ₈	2 ²⁵ / ₃₂
15/25PCJ2GX	16 ³ / ₈	2 ²⁵ / ₃₂
15/25/35PCJ2HX	16 ³ / ₈	2 ²⁵ / ₃₂
15/25/35PCJ2JX	16 ³ / ₈	2 ²⁵ / ₃₂
15/25/35PCJ2KX	21	3 ³ / ₄
15/25/35PCJ2LX	21	3 ³ / ₄
15/25/35PCJ2MX	21	3 ³ / ₄
15/25/35PCJ2NX	21	3 ³ / ₄
15/25/35PCJ2PX	21	3 ³ / ₄
15/25/35PCJ2QX	21	3 ³ / ₄

US

ABB Installation Products Inc.
Electrification business

electrification.us.abb.com



Elastimold® PCJ™ power cable joints
are designed, molded and tested
in Albuquerque, NM.

We reserve the right to make technical changes or modify the contents of this document without prior notice. With regard to purchase orders, the agreed particulars shall prevail. ABB Installation Products Inc. does not accept any responsibility whatsoever for potential errors or possible lack of information in this document.

We reserve all rights in this document and in the subject matter and illustrations contained therein. Any reproduction or utilization of its contents – in whole or in parts – is forbidden without prior written consent of ABB Installation Products Inc. © 2021 ABB Installation Products Inc. and/or its related companies. All rights reserved