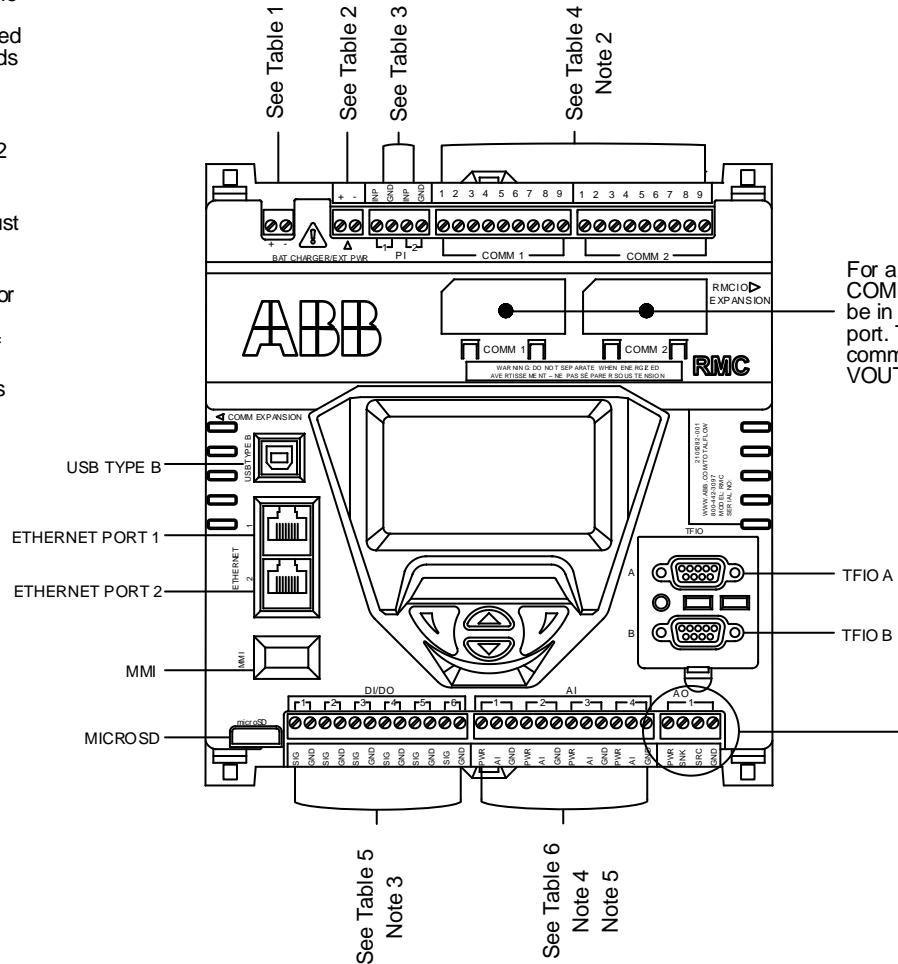


NOTES:

1. **WARNING:** This drawing does not illustrate the installation methods required for hazardous locations. Prior to any installation in a Classified Hazardous Location, verify installation methods by the Control Drawing referenced on the product's name tag and national and local codes.
2. Termination methods for COMM ports 1 and 2 are the same. All notes apply.
3. The RMC supports dry contacts and wet contacts. If using wet contacts the voltage must be 12-24 VDC. The contact type is software selectable.
4. Power current is internally limited at 23 mA. For more current use an external power supply.
5. The RMC can operate on 12 or 24 volts DC. If using VOUT or PWR to power an external device, verify that the RMC supply voltage is compatible with the external device.

RMC (2105350) Board



For a COMM port to be activated, the COMM module (Part # 2105236-001) must be in the slot for the appropriate COMM port. The module is software selectable for communication protocol type. This includes VOUT and SW VOUT.

TABLE 1 BATTERY TERMINAL	
PORT	FUNCTION
+	BATTERY POS
-	BATTERY NEG

TABLE 2 CHARGER/EXTERNAL POWER TERMINAL	
PORT	FUNCTION
+	POWER POS
-	POWER NEG

TABLE 3 PULSE INPUT SIGNAL	
PORT	FUNCTION
INP	PULSE SIGNAL
GND	PULSE GND

TABLE 5 DI/DO SIGNAL	
PORT	FUNCTION
SIG	SIGNAL POS
GND	SIGNAL NEG

TABLE 6 AI SIGNAL	
PORT	FUNCTION
PWR	POS
AI	SIGNAL POS
GND	SIGNAL NEG

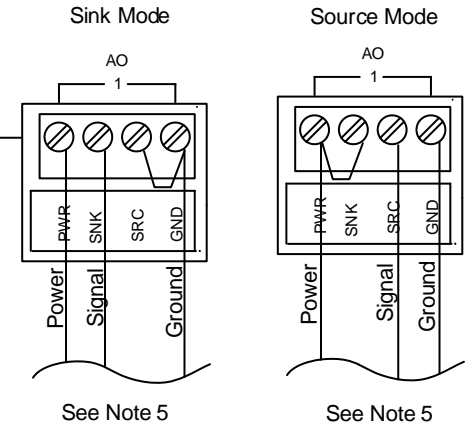


TABLE 4 RMC COMM PORT PINOUTS			
PIN	RS-232	RS-422	RS-485
1	Voltage Out (VOUT)	Voltage Out (VOUT)	Voltage Out (VOUT)
2	Ground (GND)	Ground (GND)	Ground (GND)
3	Switched voltage (Sw VOUT)	Switched voltage (Sw VOUT)	Switched voltage (Sw VOUT)
4	Operate (OPER)	Operate (OPER)	Operate (OPER)
5	Remote request to send (RRTS)	Remote request to send (RRTS)	Remote request to send (RRTS)
6	Request to send (RTS)	Transmit bus+ (TBUS+)	Transmit bus+ (TBUS+)
7	Transmit data (TX)	Transmit bus- (TBUS-)	Transmit bus- (TBUS-)
8	Receive Data (RX)	Receive bus+ (RBUS+)	Not Used
9	Clear to send (CTS)	Receive bus- (RBUS-)	Not Used