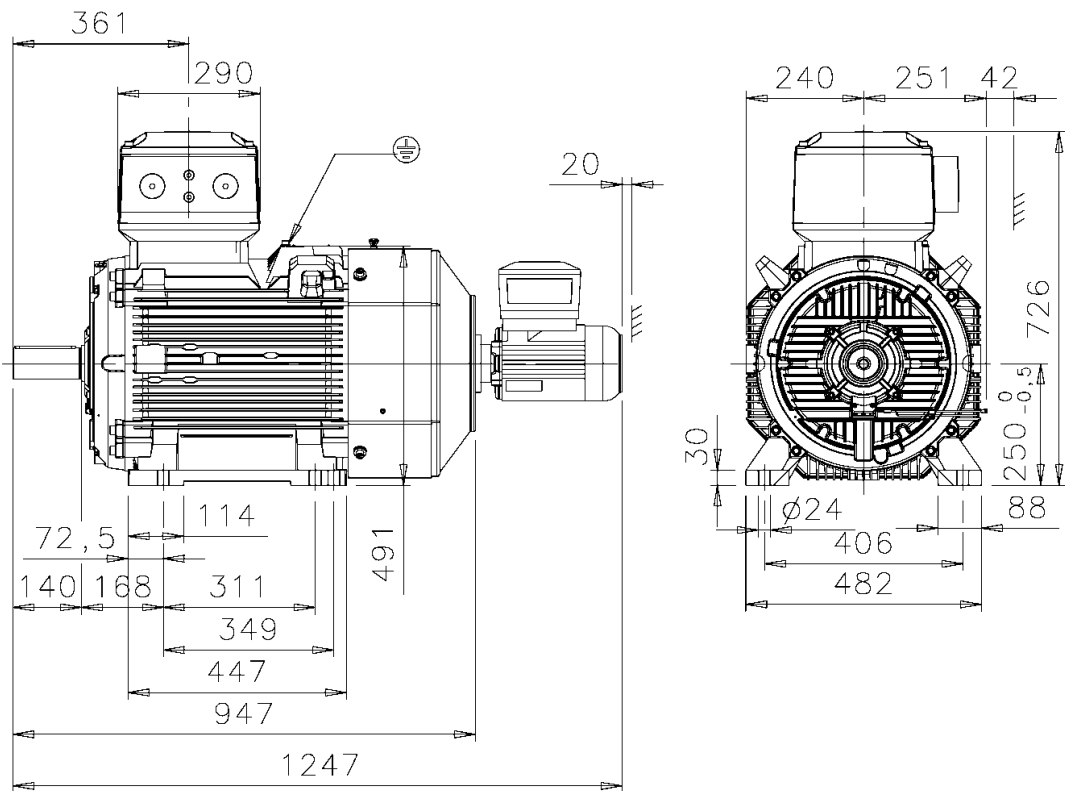


$\phi 65m6 (+0.030 / +0.011)$



Additional information:

Dimension Print	Motor Type: M3JP 250SM_4-12 B3, B6, B7, B8, V6	Document No: 3GZF500225-22 B 14 JP 250 A
	Description: SQUIRREL CAGE MOTOR WITH SEPARATE COOLING	
Unit: ABB Oy, Motors and Generators	Issued by: O.Zhang	Replaces:
Date: 02.08.2013	Approved by: C.Vägar	Replaced by:
ABB Oy	Customer Reference:	ABB