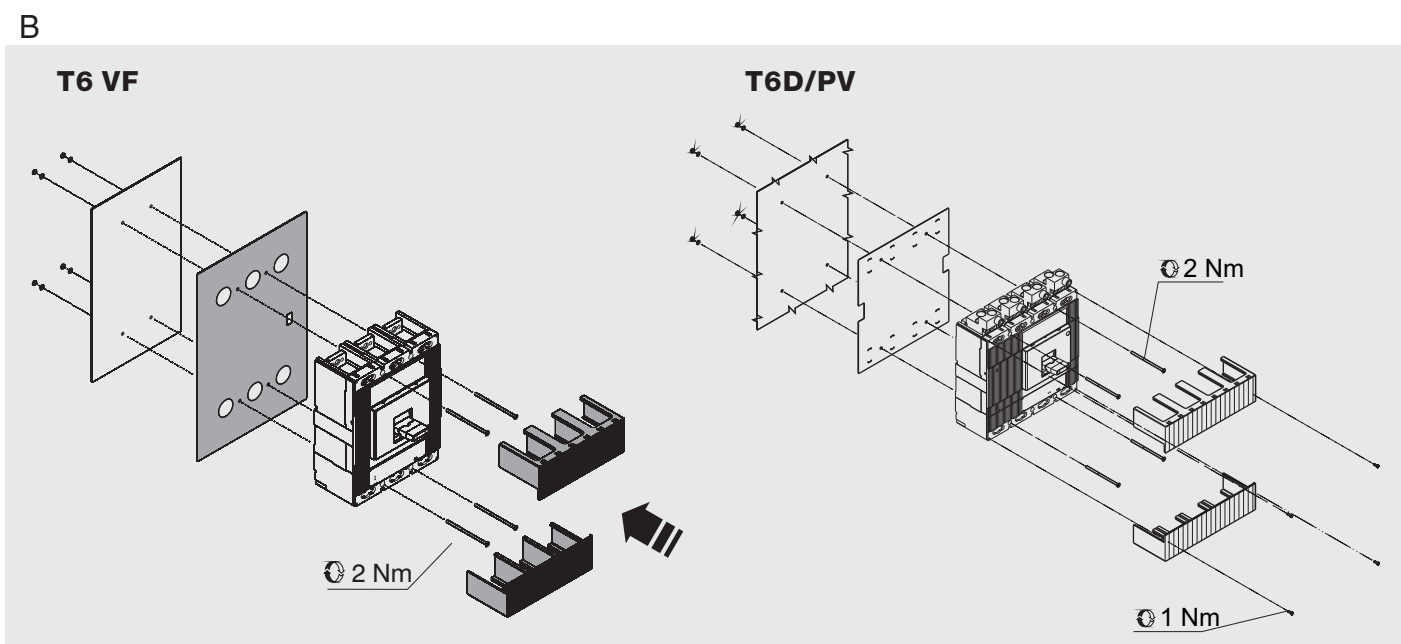
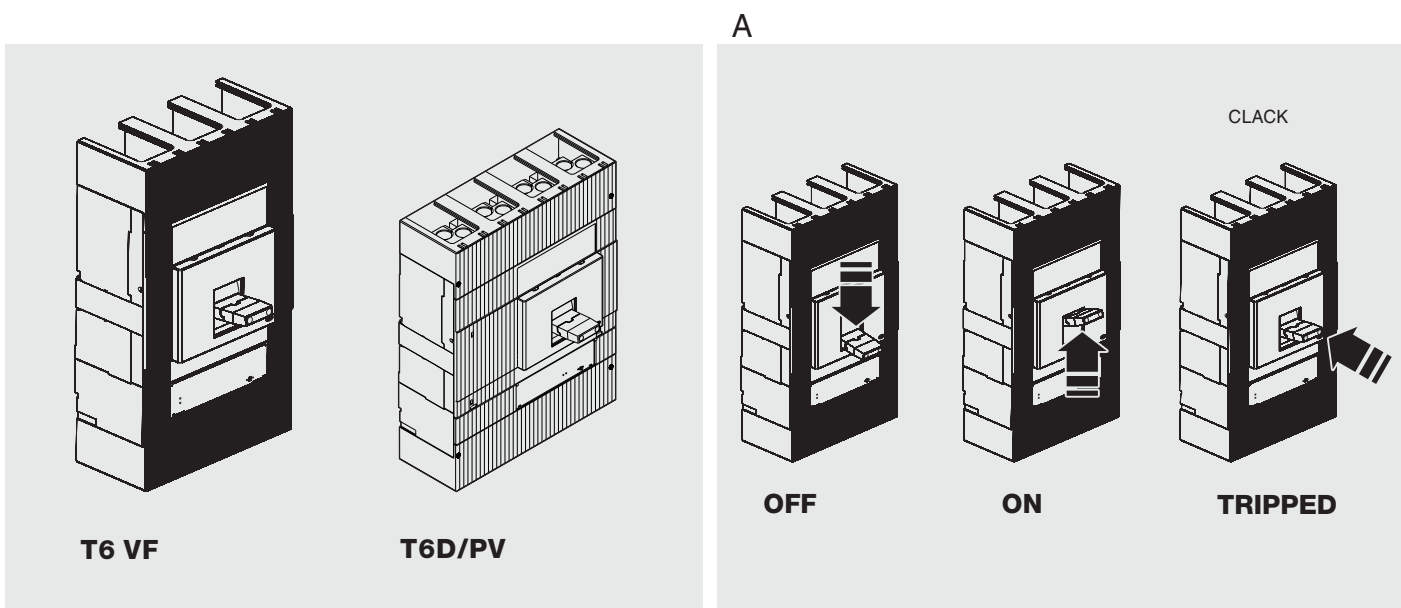


SACE Tmax T6 VF - T6D/PV

Istruzioni di installazione T6 VF - T6D/PV
Installation instructions T6 VF - T6D/PV
Installationsanleitung T6 VF - T6D/PV
Instructions pour l'installation T6 VF - T6D/PV
Instrucciones de instalación T6 VF - T6D/PV



C

For T6/VF only

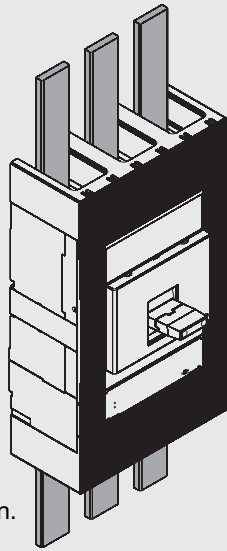
Usare cavi o barre isolate/ o eseguire prove di tipo specifiche sull' installazione.

Use cable or insulated busbars/ or perform specific type test on the installation.

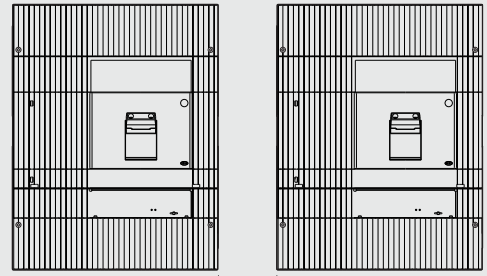
Kabel oder isolierte Sammelschienen verwenden / oder die spezifische Typprüfung auf der Installation durchführen.

Utiliser un câble ou des barres isolées/ ou réaliser un test de type spécifique sur installation.

Utilizar un cable o barras aisladas / o efectuar una prueba de tipo específico sobre instalación.



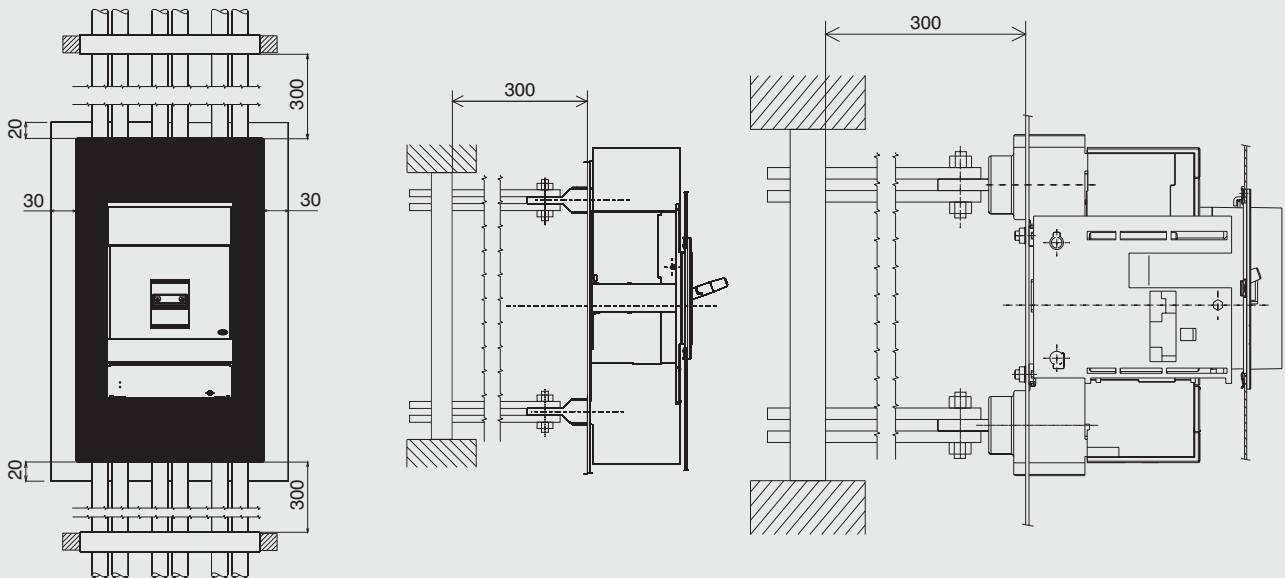
D



T6 VF 60mm
T6D/PV 100mm

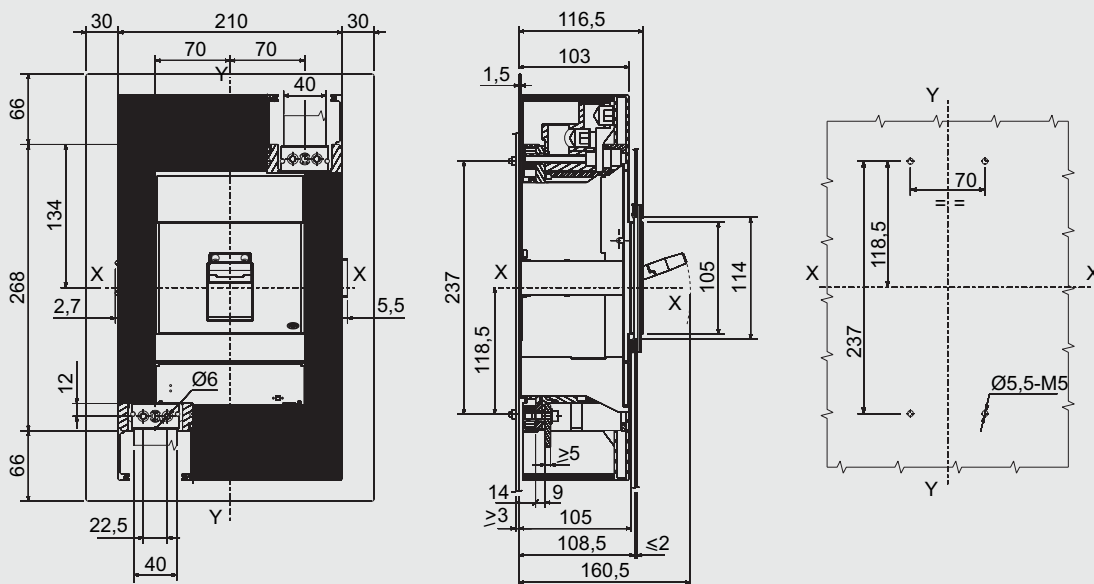
E

T6/VF

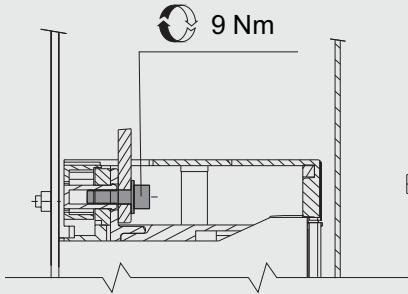


F

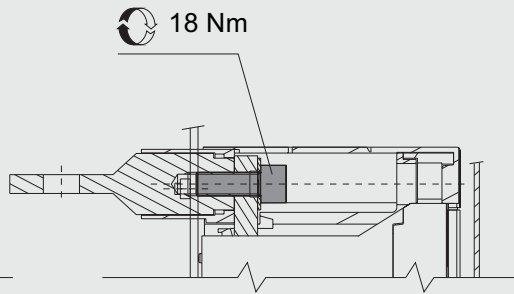
T6/VF F-F/Fc Cu Al



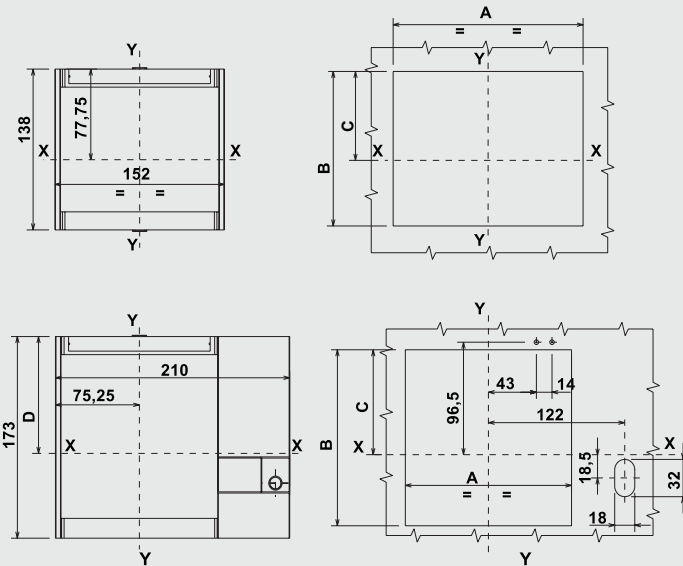
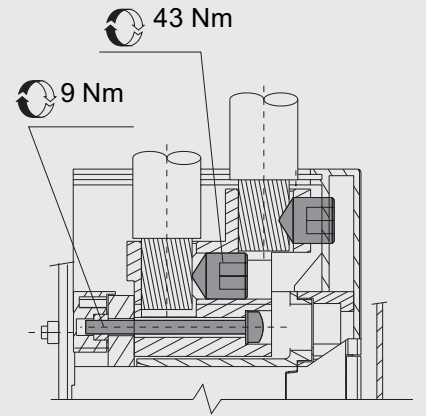
F - F



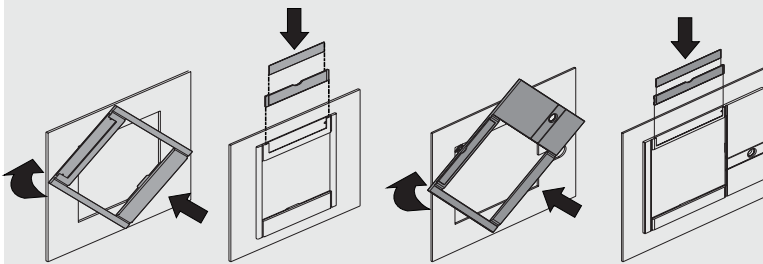
F - R



F - FC Cu Al



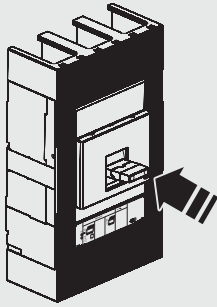
Non valido per interruttore fisso con RHD-FLD-MOE.
 Vedere documentazione specifica.
 Not valid for fixed circuit breakers with RHD-FLD-MOE. See specific documentation.
 Gilt nicht für festen Leistungsschalter mit RHD-FLD-MOE. Siehe die spezifische Dokumentation.
 Non valable pour disjoncteur fixe avec RHD-FLD-MOE. Voir la documentation spécifique.
 No válido para interruptor fijo con RHD-FLD-MOE. Véase documentación específica.



	A	A	B	B	C	C	C	D	D
	FISSO FIXED	ESTRAIBILE WITHDRAWABLE	FISSO FIXED	ESTRAIBILE WITHDRAWABLE	FISSO FIXED	ESTRAIBILE WITHDRAWABLE	W CON MOTORE W WITH MOTOR	W CON MOTORE W WITH MOTOR	ESTRAIBILE WITHDRAWABLE
WITH FLANGE CON MOSTRINA	149	148,5	116	150	66,75	89,5	75,25	89,25	100,25
WITHOUT FLANGE SENZA MOSTRINA	142	-	107	-	62,25	-	-	-	-

I

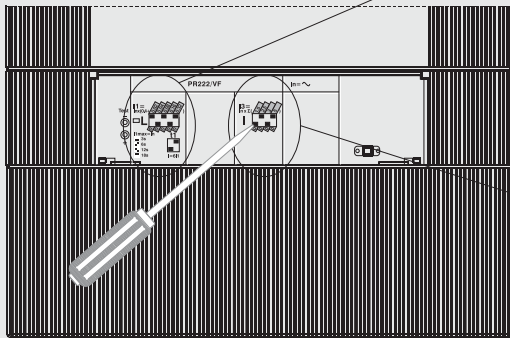
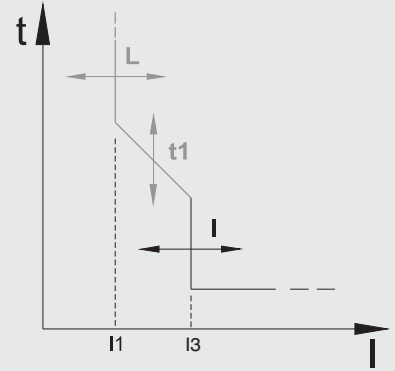
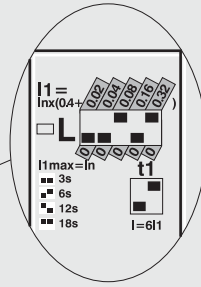
1 CLACK



2

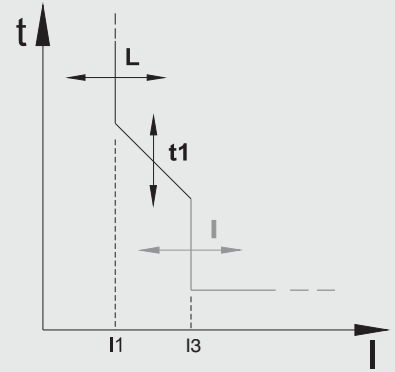
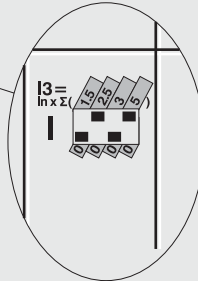
Esempio:
Example:

$I_n = 800 \text{ A}$
 $I_1 = 800 \times (0,4 + 0,08 + 0,32) = 640 \text{ A}$
 $t_1 = 6 \text{ s @ } 3840 \text{ A (} 6I_1 \text{)}$



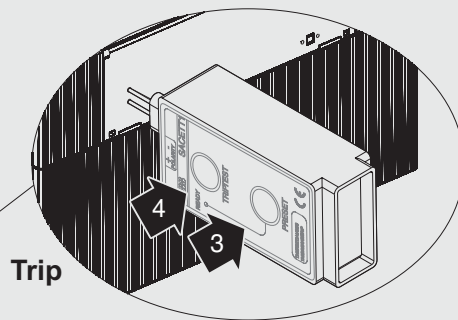
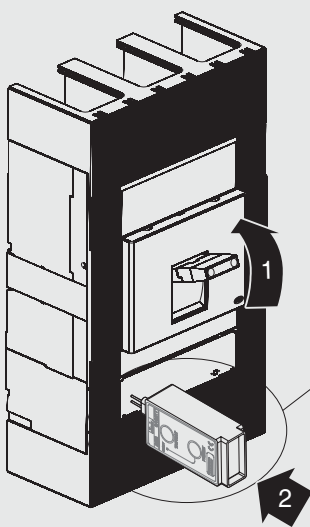
Esempio:
Example:

$I_n = 800 \text{ A}$
 $I_3 = 800 \times (2,5 + 5) = 6000 \text{ A}$

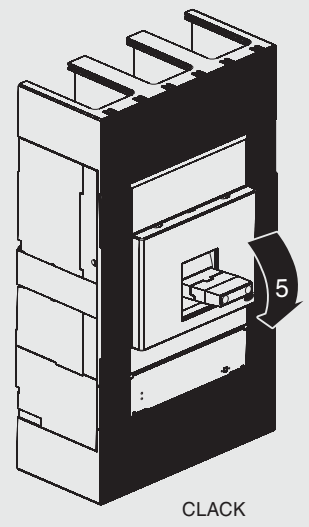


$I_3 \text{ Max} = 10,5 I_n$

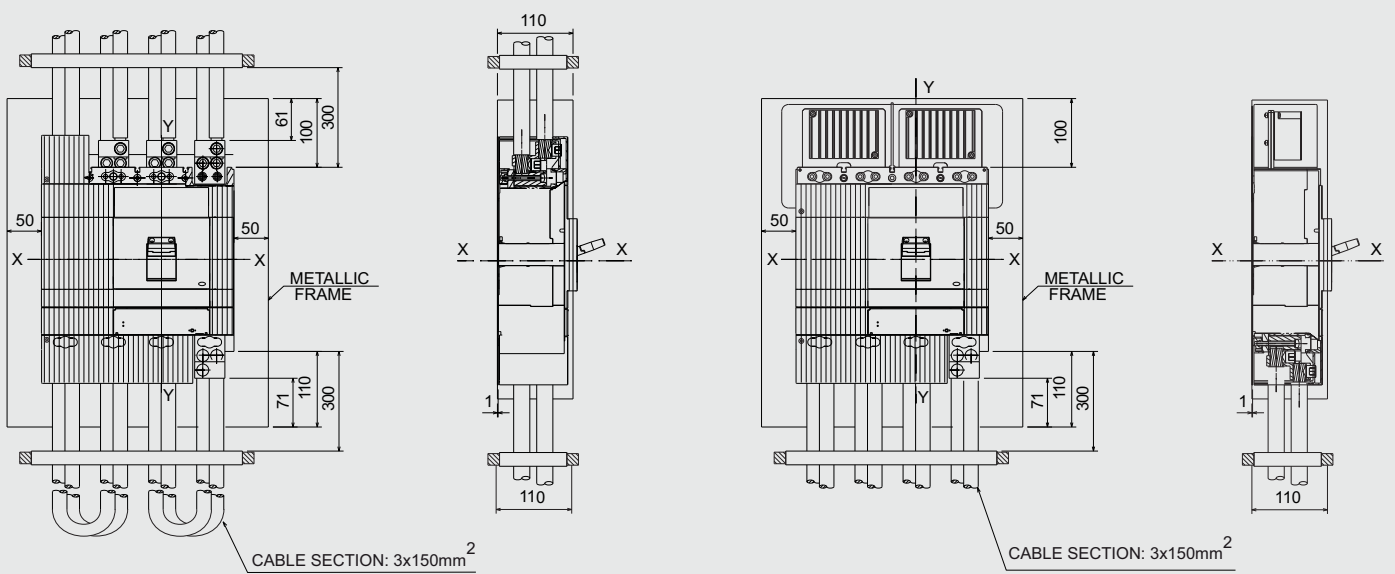
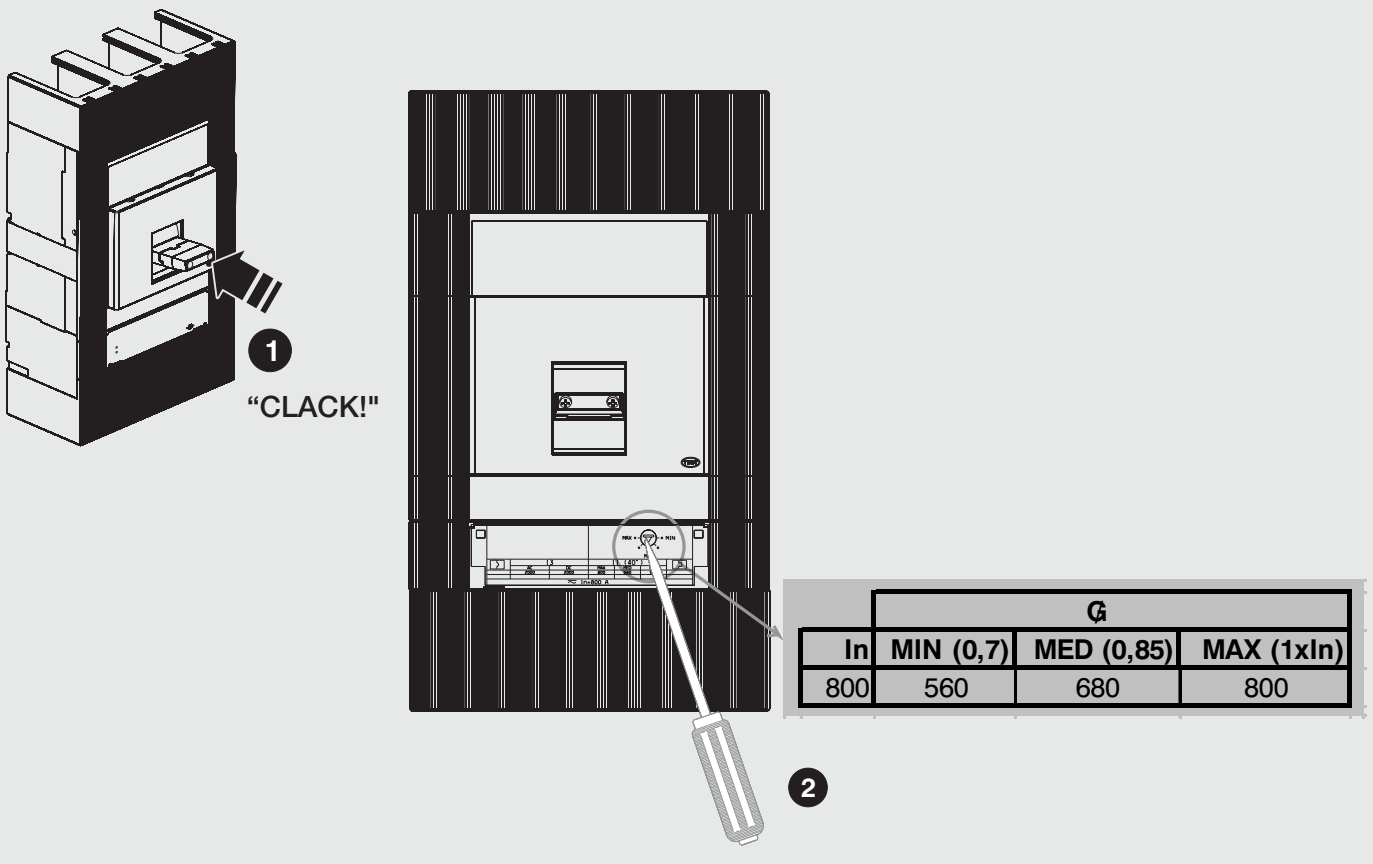
J



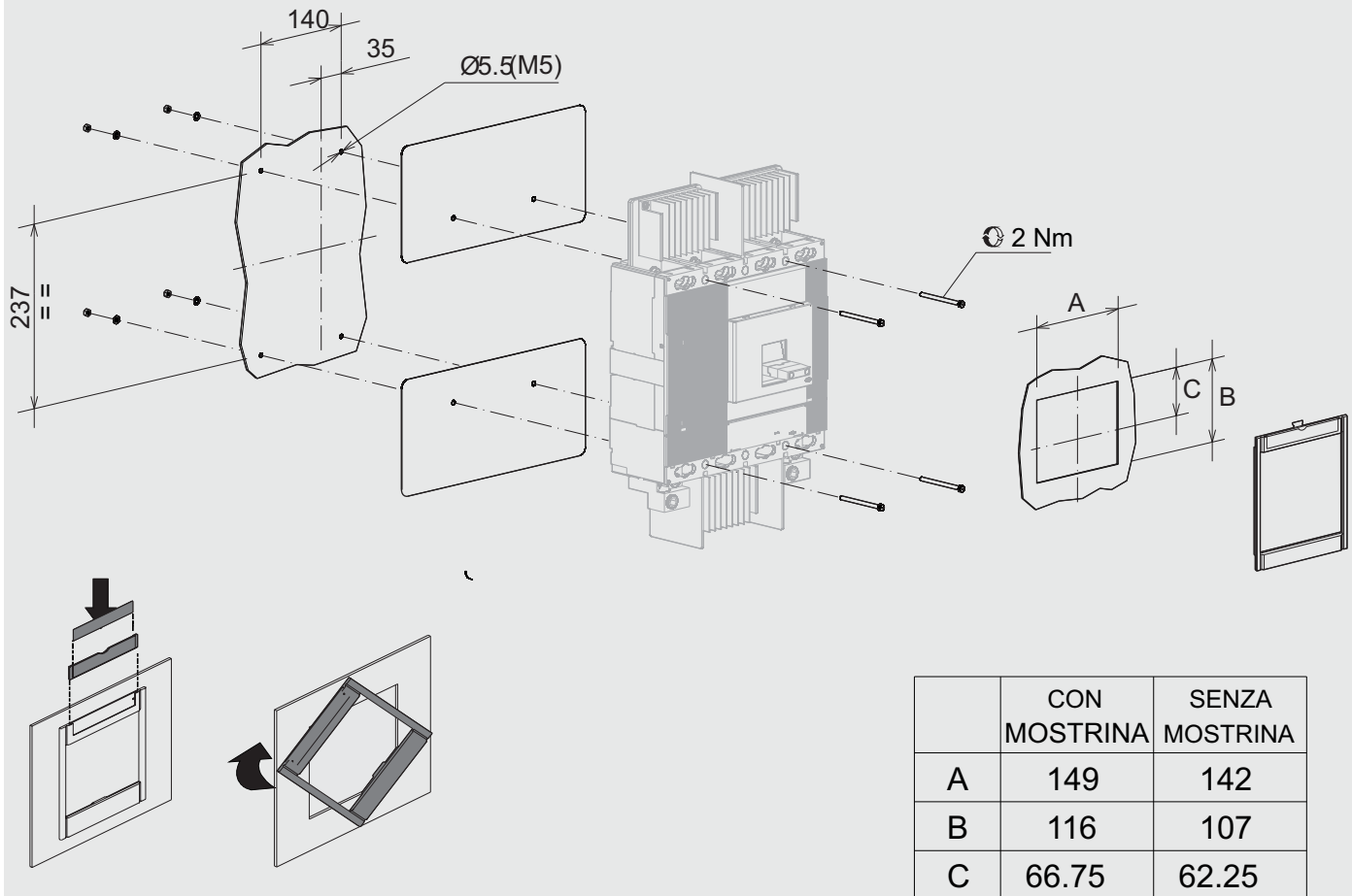
Preset-ready



CLACK

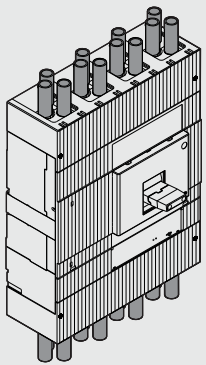


If the device is equipped with motor operator, MOE, openings with current shall be performed using SOR or UVR.



O Without Jumpers only T6D/PV P

With Jumpers only T6D/PV



In configurazione senza Jumpers usare cavi ed eseguire prove di tipo specifiche sull'installazione.

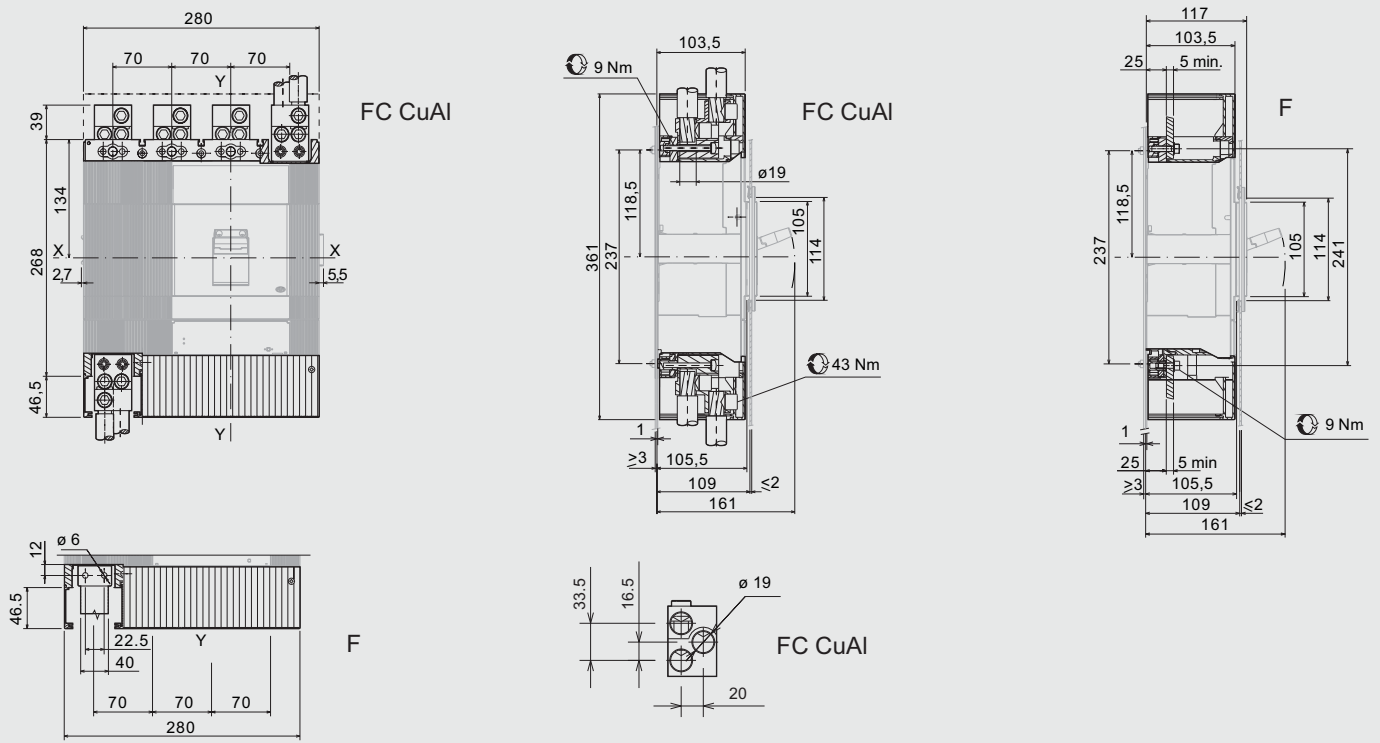
For configuration without Jumpers use cable and perform specific type test on the installation.

Per configurazioni di cablaggio diverse da quelle di seguito rappresentate eseguire prove di tipo specifiche sull'installazione e usare connessioni isolate. Per ulteriori informazioni sulla scelta e il coordinamento delle protezioni sugli impianti fotovoltaici vedere il "Quaderno Applicazione Tecnica - vol. 10" 'Impianti fotovoltaici'.

For different wiring configurations than those shown afterwards perform specific type test on the installation and use insulated terminals connection. Please consult the "Technical Application Paper No. 10" 'Photovoltaic plants' for more information on the selection and protections coordination photovoltaic plants.

Q

Configurations without jumpers T6D/PV



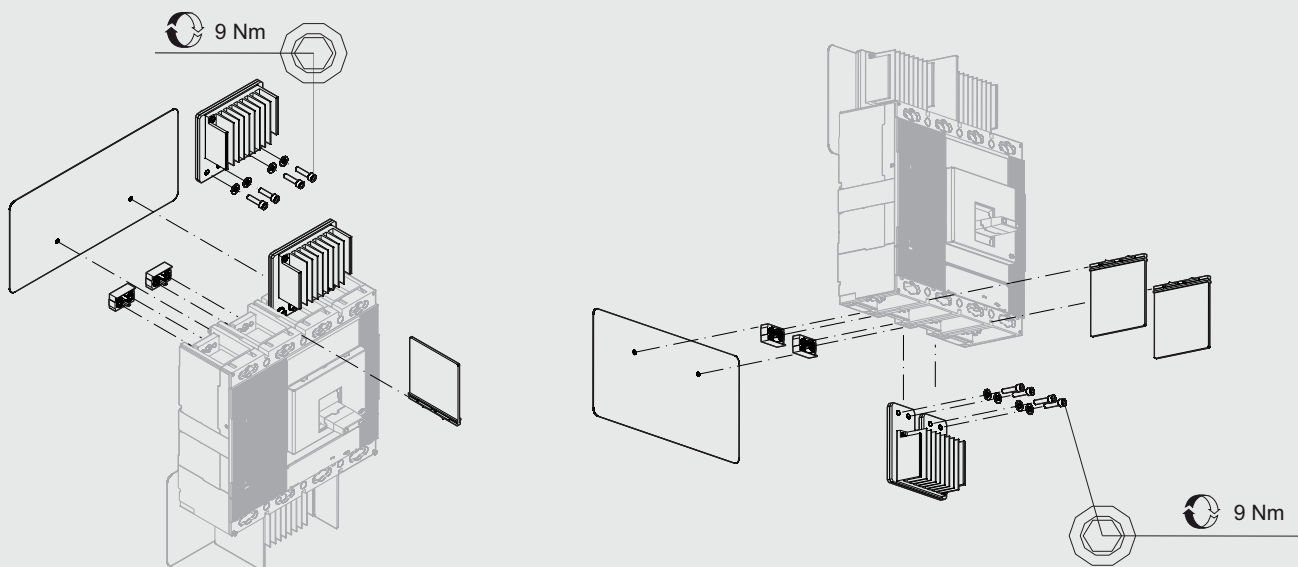
Availability for Upper supply			
2PS+2PS		4PS	
<input checked="" type="checkbox"/>	<input checked="" type="checkbox"/>	<input checked="" type="checkbox"/>	<input checked="" type="checkbox"/>
F	FCCuAl	F	FCCuAl

2PS+2PS		4PS	
<input checked="" type="checkbox"/>	<input checked="" type="checkbox"/>	<input checked="" type="checkbox"/>	<input checked="" type="checkbox"/>
F	FCCuAl	F	FCCuAl
Availability for Lower supply			

R

Jumper examples T6D/PV

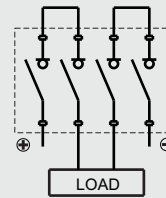
Example with jumper
(4PS Lower Supply)



S

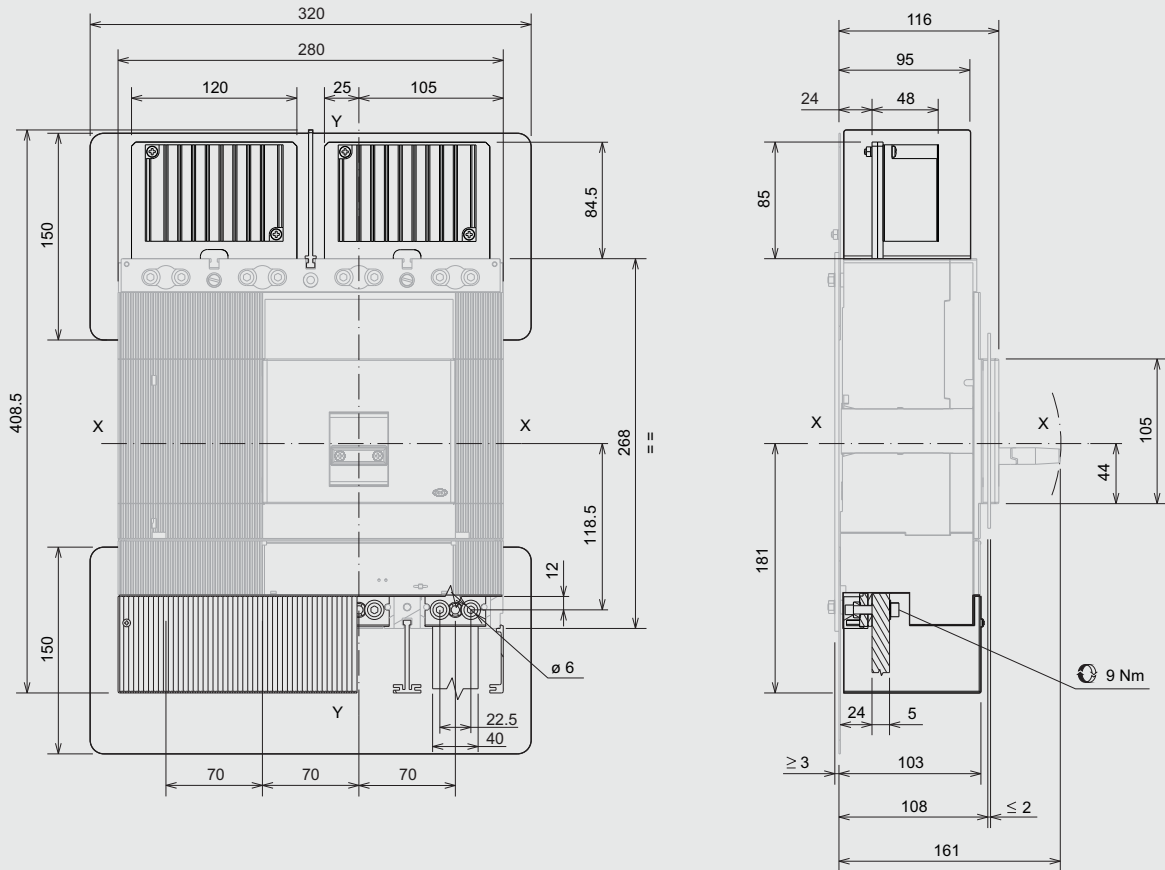
2PS+2PS solution, Lower Supply T6D/PV

	F	FCCuAl	EF
Availability for Lower supply	✓	✓	✓

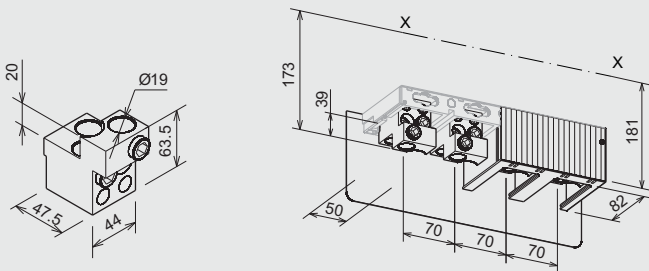


2PS+2PS
LOWER SUPPLY

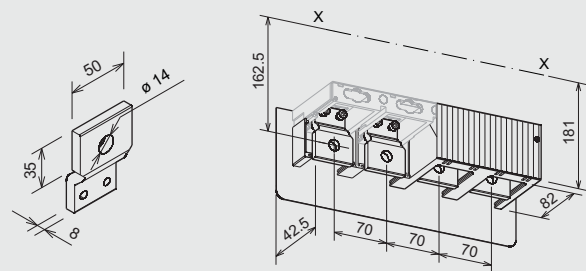
F



FCCuAl



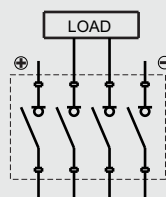
EF



T

2PS+2PS solution, Upper Supply T6D/PV

	F	FCCuAl
Availability for Upper supply	✓	✓

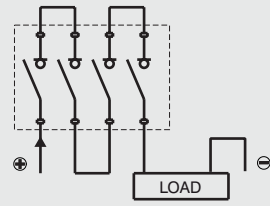


2PS+2PS
UPPER SUPPLY

U

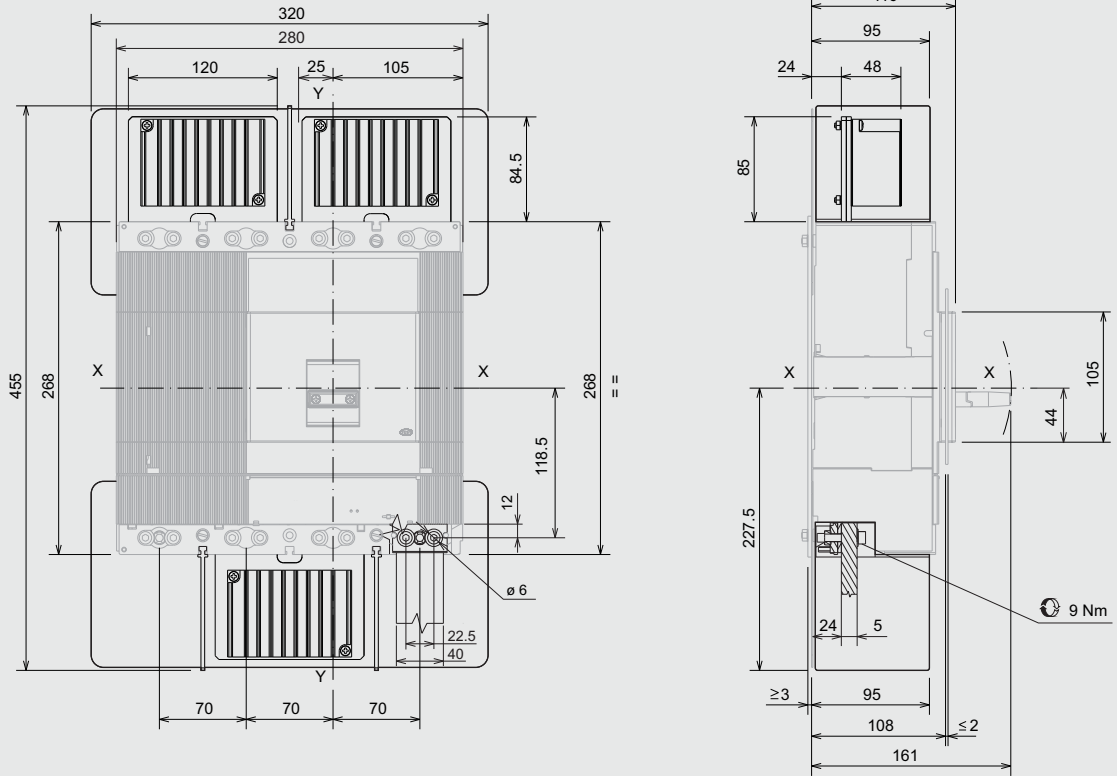
4PS solution, Lower Supply T6D/PV

	F	FCCuAl	EF
Availability for Lower supply	✓	✓	✓

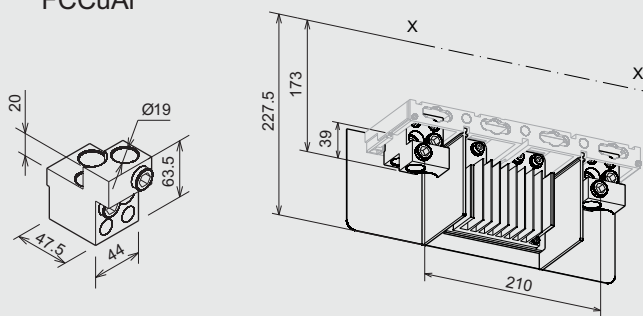


4PS
LOWER SUPPLY

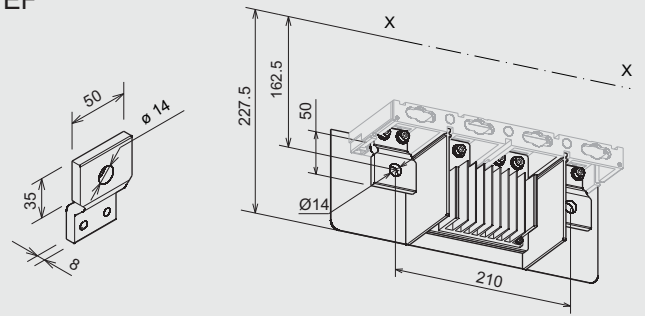
F



FCCuAl



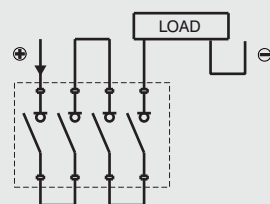
EF



V

4PS solution, Upper Supply T6D/PV

	F	FCCuAl
Availability for Upper supply	✓	✓



4PS
UPPER SUPPLY

For more information please contact:

ABB S.p.A.
ABB SACE Division
Via Pescaria, 35
24123 Bergamo - Italy